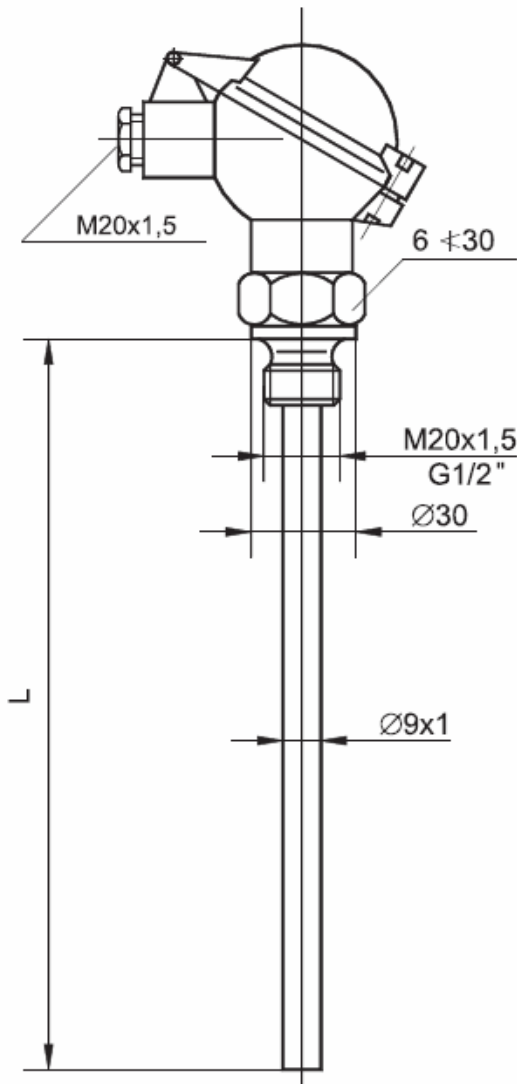


## TEMPERATURE SENSOR TYPE CT GB1



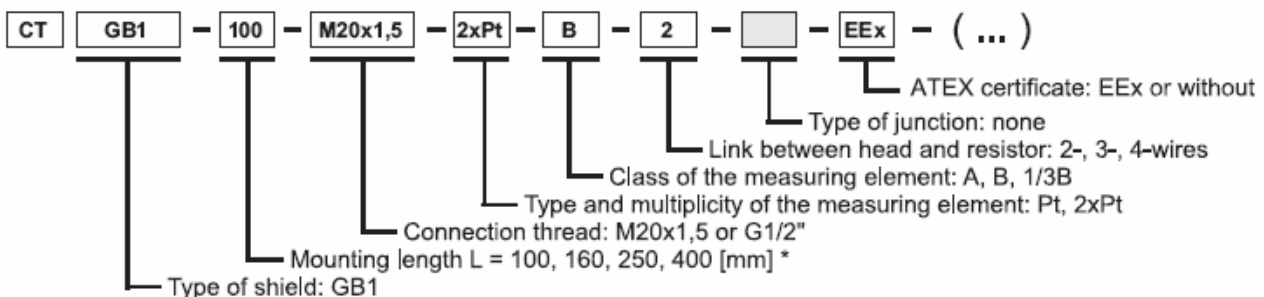
### TECHNICAL DATA:

1. Measuring range:  
Pt: -200 ... 150 [°C]
2. Admissible load:  
see **Graph 2**
3. Material of wetted parts:  
304ss or 316Lss
4. Standard immersion length L:  
100, 160, 250, 400 [mm] (\*)
5. Process connection:  
M20x1,5 or G1/2
6. Time constant:

Type of sensor	T <sub>0,5</sub> [s]	T <sub>0,9</sub> [s]
CT GB1	≤ 33	≤ 95

7. Diameter of the measuring insert:  
Ø= 6 [mm]
8. Minimal immersion depth:  
70 [mm]
9. Admissible vibrations at mounting site:  
5 ... 80 [Hz] (up to 5 [g])

### EXAMPLE OF ORDER:



### ADDITIONAL INFORMATION:

- 1.\* Non-standard length of temperature sensors on demand.
2. Type of exchangeable insert: W1.
3. To specify temperature sensor with the head - mounted transmitter please add code of transmitter at the end of ordering code of sensor (see chapter X) e.g.

CT Gb1 - 100 - M20x1,5 - 2xPt - B - 2 -   - EEx - ( AT/0 +100 )