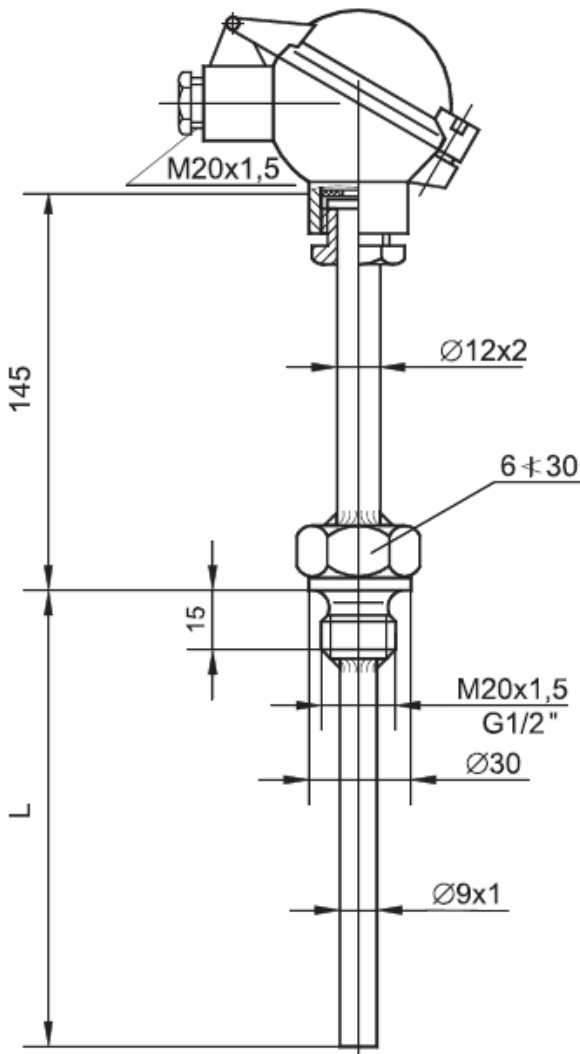


TEMPERATURE SENSOR TYPE CT GN1



TECHNICAL DATA:

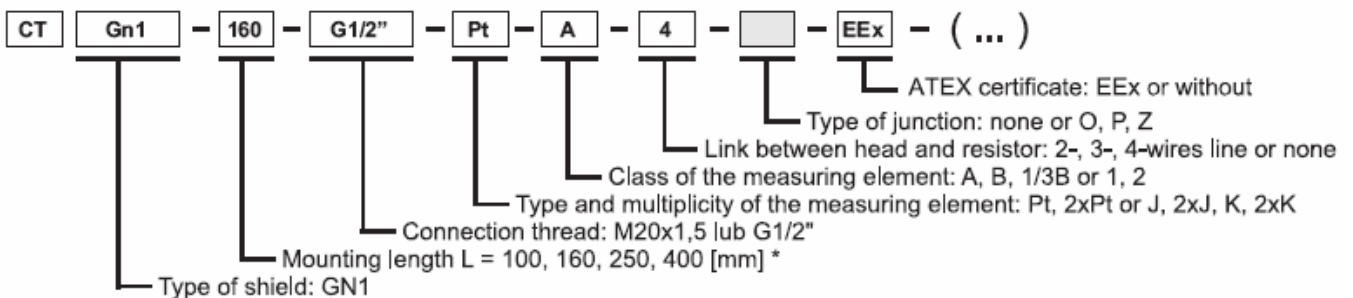
- Measuring range:
Pt: -200 ... 550 [°C]
J/K: -200 ... 550 [°C]
- Admissible load:
see **Graph 2**
- Material of wetted parts:
304ss or 316Lss
- Standard immersion length L:
100, 160, 250, 400 [mm] (*)
- Process connection:
M20x1.5 or G1/2"
- Time constant:

Pt	$T_{0.5}$ [s]	$T_{0.9}$ [s]
		≤ 33

J/K	Isolated junction		Grounded junction	
	$T_{0.5}$ [s]	$T_{0.9}$ [s]	$T_{0.5}$ [s]	$T_{0.9}$ [s]
	≤ 22	≤ 62	≤ 3	≤ 8

- Diameter of the measuring insert:
Ø= 6 [mm]
- Minimal immersion depth:
Pt: 70 [mm]
J/K: 60 [mm]

EXAMPLE OF ORDER:



ADDITIONAL INFORMATION:

- * Non-standard length of temperature sensors on demand.
- Type of exchangeable insert: W1.
- To specify temperature sensor with the head - mounted transmitter please add code of transmitter at the end of ordering code of sensor (see chapter X) e.g.

CT Gn1 - 160 - G1/2" - Pt - A - 4 - [] - EEx - (X/100 + 500)