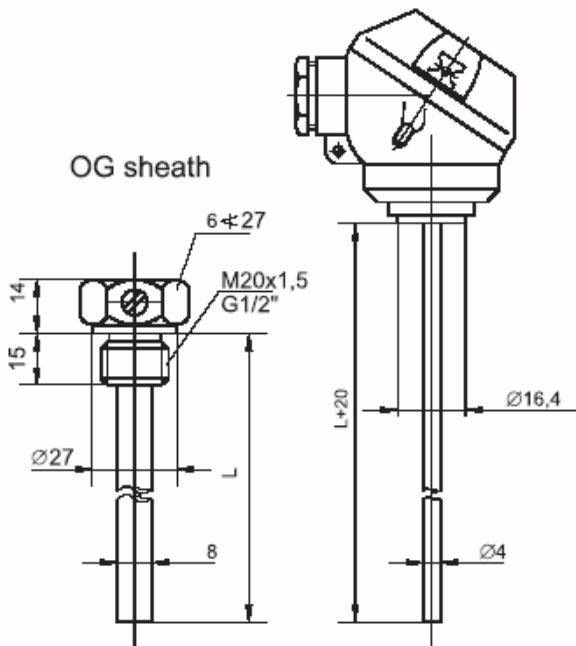


TEMPERATURE SENSOR TYPE CT I4 + OG

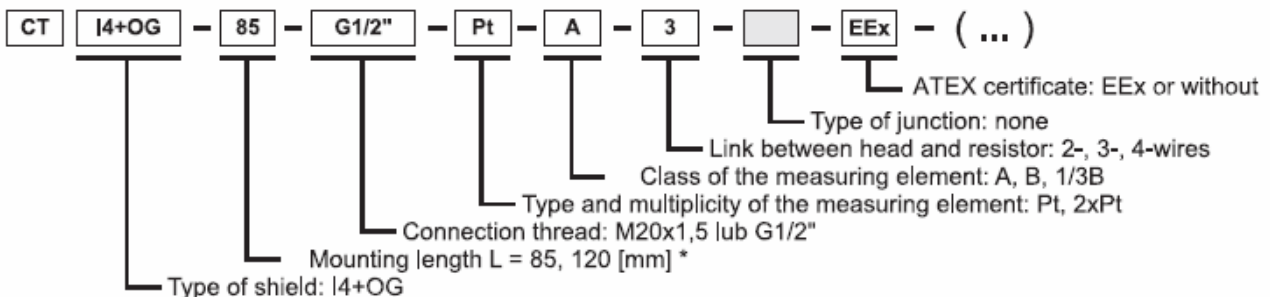
TECHNICAL DATA:

1. Measuring range:
Pt100: -50 ... 150 [°C]
2. Admissible load:
1,6 [MPa] with the OG shield
3. Material of wetted parts:
304ss or 316Lss
4. Standard immersion length L:
85, 120 [mm] (*)
5. Process connection:
M20x1,5 or G1/2"
6. Time constant:

Type of sensor	T _{0,9} [s]
CT I4+OG	≤ 15



EXAMPLE OF ORDER:



ADDITIONAL INFORMATION:

- 1.* Non-standard length of temperature sensors on demand.
2. Standard thermometric resistor Pt100. In case of ordering Pt500 or Pt1000, please specify this information in brackets.