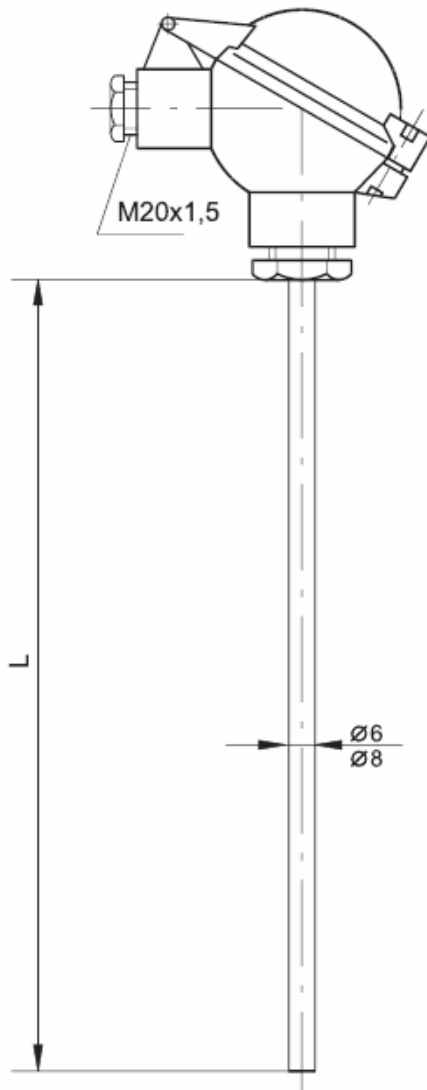


TEMPERATURE SENSOR TYPE CT I6, CT I8



TECHNICAL DATA:

- Measuring range:
Pt: -200 ... 550 [°C]
J/K: -200 ... 600 [°C]
- Admissible load:
0.1 [MPa]
- Material of wetted parts:
304ss or 316Lss
- Standard immersion length L:
100, 160, 250, 400 [mm] (*)
- Process connection:
sliding connection UG1
- Time constant:

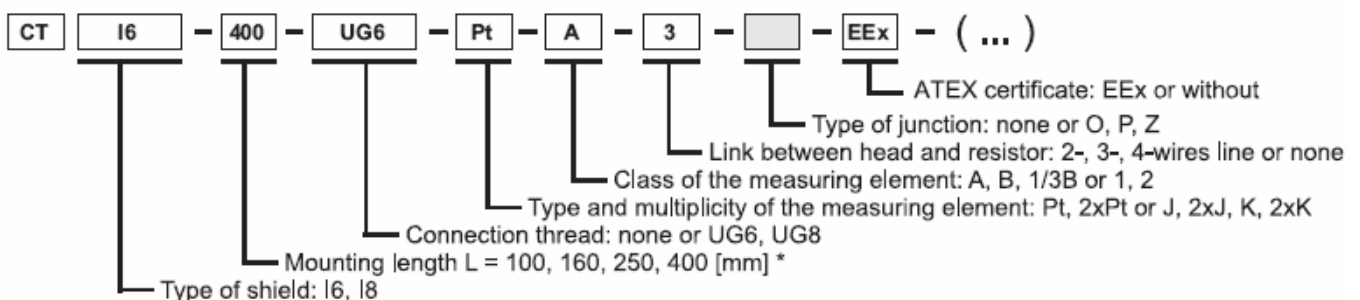
Pt	Type of sensor	T _{0.5} [s]	T _{0.9} [s]
	CTI6	≤ 4	≤ 13
	CTI8	≤ 9.5	≤ 28

J/K	Type of sensor	Isolated junction		Grounded junction	
		T _{0.5} [s]	T _{0.9} [s]	T _{0.5} [s]	T _{0.9} [s]
	CTI6	≤ 7	≤ 18	≤ 1	≤ 5
CTI8	≤ 10	≤ 25	≤ 1.5	≤ 7	

7. Minimal immersion depth:

Pt:	Ø=6	60 [mm]
	Ø=8	80 [mm]
J/K:	Ø=6	40 [mm]
	Ø=8	60 [mm]

EXAMPLE OF ORDER:



ADDITIONAL INFORMATION:

- * Non-standard length of temperature sensors on demand.
- Type of exchangeable insert: the external shield of sensor is the insert W1.
- To specify temperature sensor with the head - mounted transmitter please add code of transmitter at the end of ordering code of sensor (see chapter X) e.g.

CT I8 - 250 - [] - J - 2 - [] - 2 - [] - (GI/50 + 500)