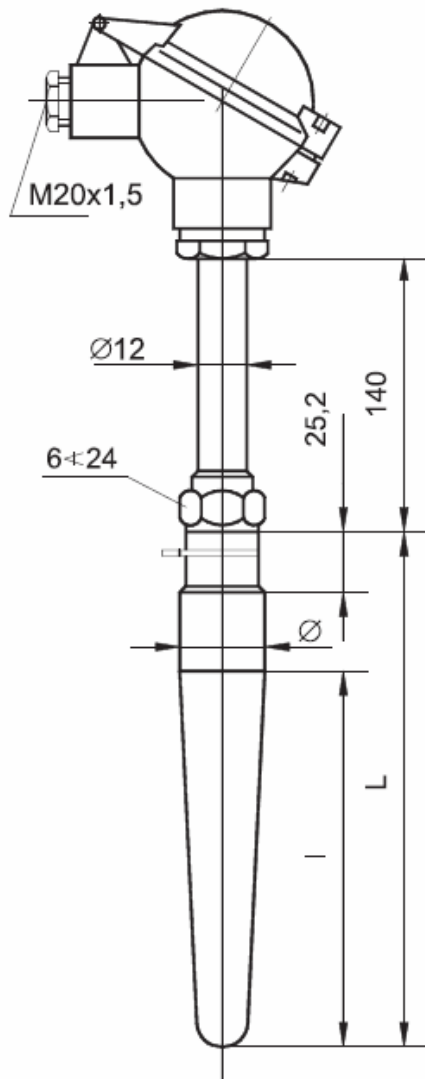


TEMPERATURE SENSOR TYPE CT SW1, CT SW2



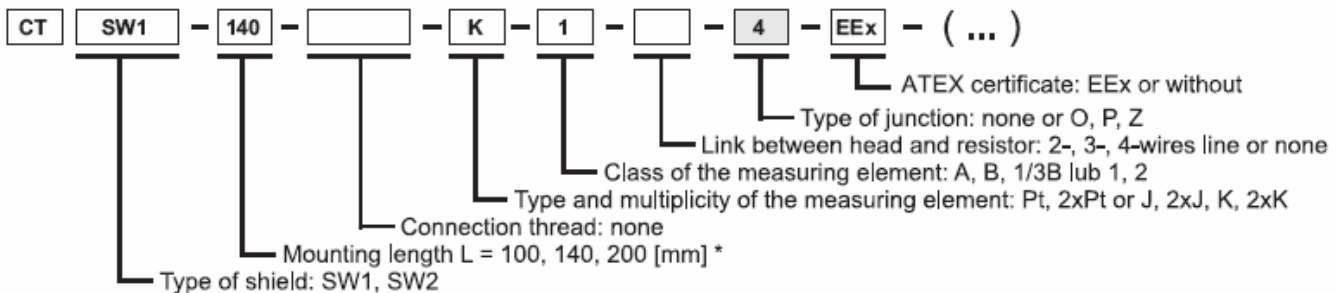
TECHNICAL DATA:

- Measuring range:
Pt: 0 ... 550 [°C]
J/K: 0 ... 550 [°C]
- Admissible load:
see **Graph 3**
- Material of wetted parts:
15HM, inconel, hastelloy
- Standard immersion length L:
100, 140, 200 [mm] (*)
- Fastening (welding) diameter:

CT SW1	CT SW2
Ø=18h7	Ø=24h7

Type of sensor	Shield			Measuring insert Ø [mm]
	Ø [mm]	L [mm]	I [mm]	
CT SW1	18h7	100	35	3
		140	65	3
		200	65	3
CT SW2	24h7	140	65	6
		200	65	6

EXAMPLE OF ORDER:



ADDITIONAL INFORMATION:

- * Non-standard length of temperature sensors on demand.
- Type of exchangeable insert: W2.
- Please indicate the type of material to be used for the shield of sensor between brackets. Standard execution of material 10 H2M.
- To specify temperature sensor with the head - mounted transmitter please add code of transmitter at the end of ordering code of sensor (see chapter X) e.g.

CT SW1 - 140 - - K - 1 - - 4 - EEx - (X/100+150; 15HM)