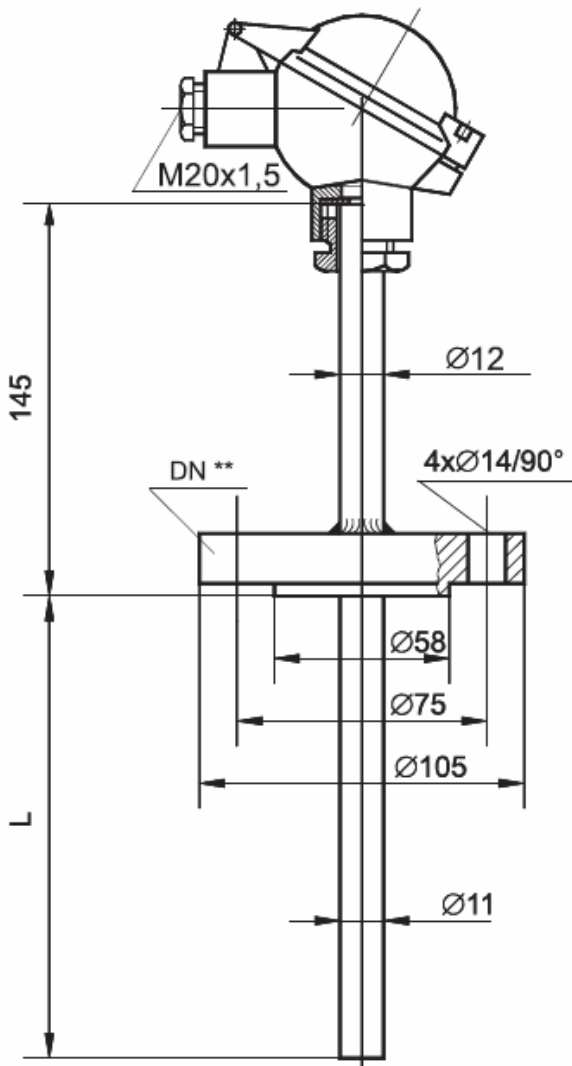


## TEMPERATURE SENSOR TYPE CT T1



### TECHNICAL DATA:

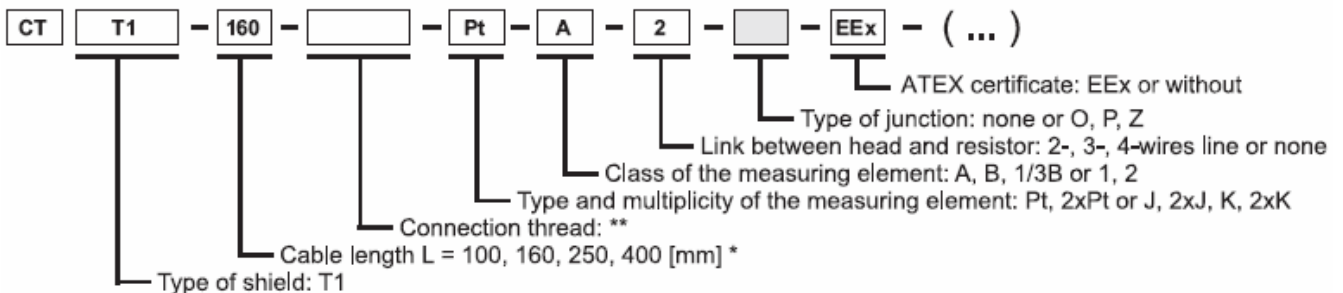
- Measuring range:  
Pt: -200 ... 550 [°C]  
J/K: -200 ... 550 [°C]
- Admissible load:  
see **Graph 3**
- Material of wetted parts:  
304ss, Inconel, flange.
- Standard immersion length L:  
100, 160, 250, 400 [mm] (\*)
- Flange process connection
- Time constant:

Pt	T <sub>0,5</sub> [s]	T <sub>0,9</sub> [s]
	≤ 40	≤ 120

J/K	Isolated junction		Grounded junction	
	T <sub>0,5</sub> [s]	T <sub>0,9</sub> [s]	T <sub>0,5</sub> [s]	T <sub>0,9</sub> [s]
	≤ 27	≤ 90	≤ 6	≤ 15

- Diameter of the measuring insert:  
Ø = 6 [mm]
- Minimal immersion depth:  
Pt: 100 [mm]  
J/K: 70 [mm]

### EXAMPLE OF ORDER:



### ADDITIONAL INFORMATION:

- \* Non-standard length of temperature sensors on demand.
- Type of exchangeable insert: W1, W3.
- \*\*On demand, the flange of the measuring sensor T1 can be performed acc. to PN, ANSI or DIN and have different dimensions than indicated in the picture.
- To specify temperature sensor with the head - mounted transmitter please add code of transmitter at the end of ordering code of sensor (see chapter X) e.g.

CT T1 - 160 - [ ] - Pt - A - 2 - [ ] - [ ] - (GI/O ÷ 500)