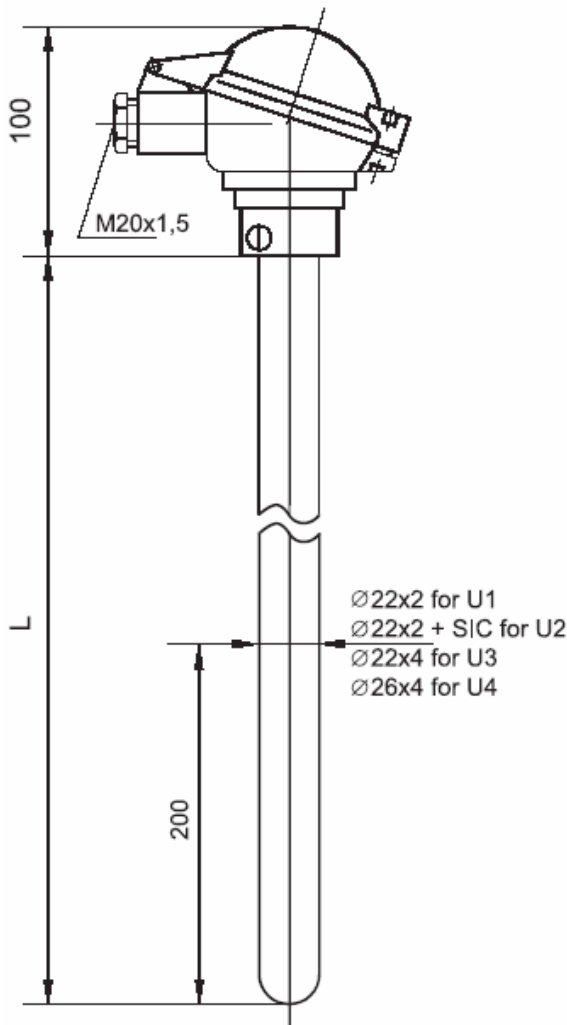


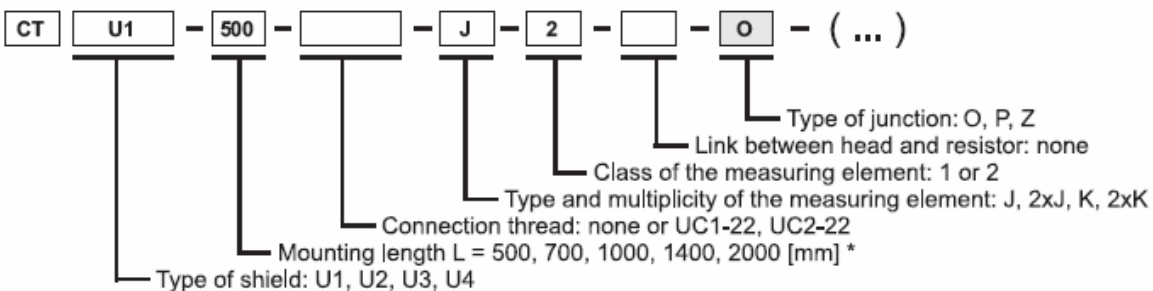
TEMPERATURE SENSOR TYPE CT U1, CT U2, CT U3, CT U4



TECHNICAL DATA:

1. Measuring range (constant/momentary)
 J: 0 ... 700 / 0 ... 900 [°C]
 K: 0 ... 1000 / 0 ... 1150 [°C]
2. Admissible load:
 0.1 [MPa]
3. Material of wetted parts:
 inconel, hastelloy. Heat resisting steel.
4. Standard immersion length L:
 500, 700, 1000, 1400, 2000 [mm] (*)
5. Process connection:
 UC1-22, UC2-22
6. Type of measuring junction :
 isolated
7. Admissible vibrations at mounting site:
 5 ... 80 [Hz] (do 2 [g])

EXAMPLE OF ORDER:



ADDITIONAL INFORMATION:

- 1.* Non-standard length of temperature sensors on demand.
2. Type of exchangeable insert: W5.
3. Please indicate the type of material to be used for the shield of sensor in brackets. Standard execution of material 10 H2M.
4. To specify temperature sensor with the head - mounted transmitter please add code of transmitter at the end of ordering code of sensor (see chapter X) e.g.

CT U3 - 1400 - [] - K - 1 - [] - Z - (GI/0 ±1000)