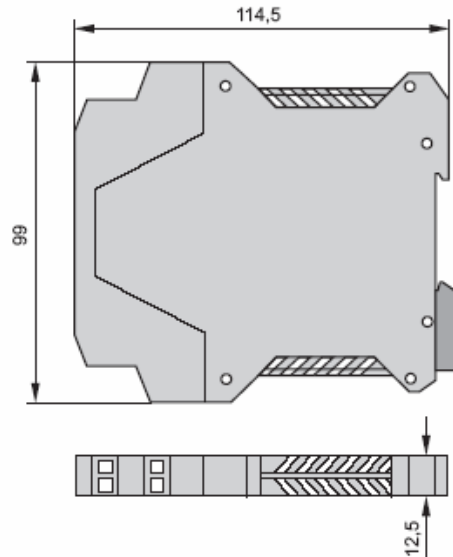


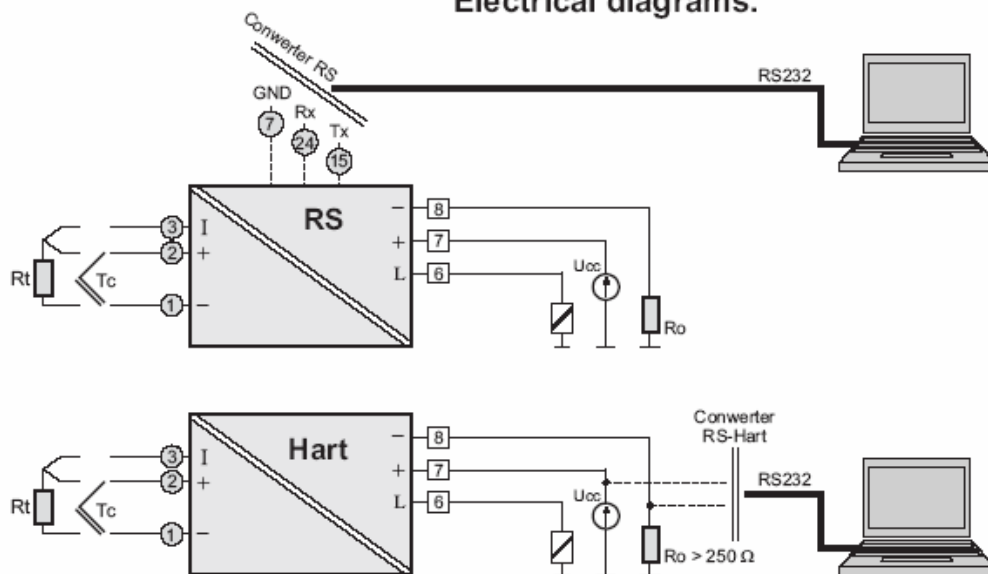
RAIL-MOUNTED SMART TEMPERATURE TRANSMITTER TYPE LI-23



CASING ME 12,5 (PHOENIX)

- ✓ Galvanic insulation (In, out)
- ✓ Programmable sensor type
- ✓ Programmable measuring range
- ✓ Resistant thermoresistance line compensation (3 wire line)
- ✓ Compensation of thermocouple cold junction
- ✓ Output signal 4...20mA (0..10V special version)
- ✓ Ambient temperature from -25 to +80 °C
- ✓ Rail mounting system.

Electrical diagrams.



Application and function

The temperature transmitter LI-23 is applicable to converting resistance of temperature or voltage of thermocouple sensor to standard current signal 4...20mA (special version 0...10V).

Most of parameters such as: sensor type, input signal, measuring range, may be adapted by user for specific requirements of his measuring system.

The transmitter is programmed using PC with RS converter and Aplisens AT configuration software.

If user define type of sensor, measuring range in the order, then the transmitter are programmed with required parameters and their values are printed on serial number label.

Transmitter for rail and surface mounting.

Technical data

Input signal	K, J,S,B,N,T voltage Pt100,Ni100 resistance
Limit process	-10mV < E < 90mV 20Ω < R < 380Ω
Min. measuring range	2mV or 10Ω
Output signal	4 – 20mA
Power supply	10...36V DC
Load resistance	$R_0[k\Omega] < (U_z - 11V)/25mA$
Alarm signal	23mA or 3,8 mA
Load current	<75mA
Galvanic insulation	Optoelectrical
Accuracy	± 0,2%
Thermal error	±0,1 %/10°C
Voltage error	±0,1%
Ambient temperature	-25...+80°C
Degree of protection	IP20
Weight	0,1kg

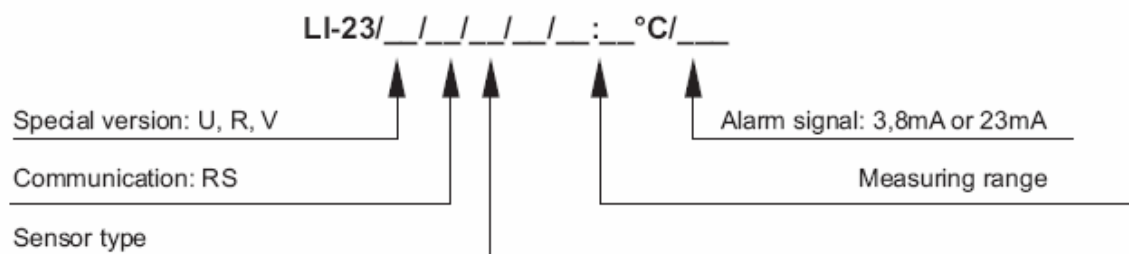
Special version:

U – input only for thermocouple

R – input only for thermoresistance

V – output signal 0...10V

Ordering procedure



Example 1: Temperature transmitter LI-23, special version - only for thermocouple, RS communication, sensor type K, measuring range from 400 to 800°C, alarm signal 23mA.

LI-23/U/RS/K/400 - 800°C/23mA

Example 2: Temperature transmitter LI-23, RS communication, no programmed.

LI-23/RS