

## FILLED SYSTEM

CA

### SPECIAL FEATURES

- STAINLESS STEEL CASE & MEASURING SYSTEM
- EVERY ANGLE MOUNTING AVAILABLE
- DRY OR LIQUID FILLED
- INERT GAS FILLED EXPANSION SYSTEM.
- STANDARD FOLLOWED EN 13190.

### APPLICATIONS

CHEMICALS / REFINERY / FERTILIZER / PETROCHEMICALS / PHARMACEUTICAL / POWER / CEMENT / SUGAR / FOOD & BEVERAGES / PULP & PAPER & ALLIED PROCESS INDUSTRIES.



### SPECIFICATIONS

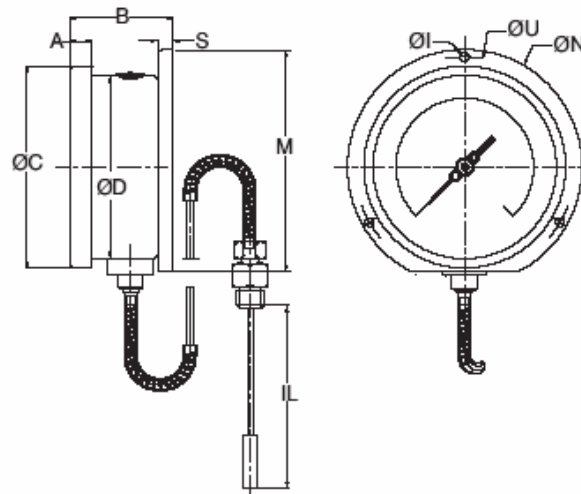
**STANDARD VERSION : 100mm, 125mm, 150mm, 200mm, 250mm**

Accuracy	: Class 1 as per EN 13190
Ambient Temperature	: -25° C to 65° C
Operating Pressure	: 15 kg/cm <sup>2</sup> ( without thermowell )
Over Range Limit	: 30 % of full scale range or 650°C whichever is min.
Stem Diameter	: 6mm / 8mm / 9.5mm / 10mm / 12mm

Case	: AISI 304 SS
Ring	: AISI 304 SS, Bayonet Lock
Movement	: AISI 304 SS
Stem	: AISI 316 SS
Connection	: AISI 316 SS
Joints	: Tig argon arc welding

Protection	: IP 65
Dial	: Aluminium, black graduation on white background
Pointer	: Aluminium, black Coloured Micrometer Zero adjustable
Window	: Sheet Glass
Gasket	: Neoprene

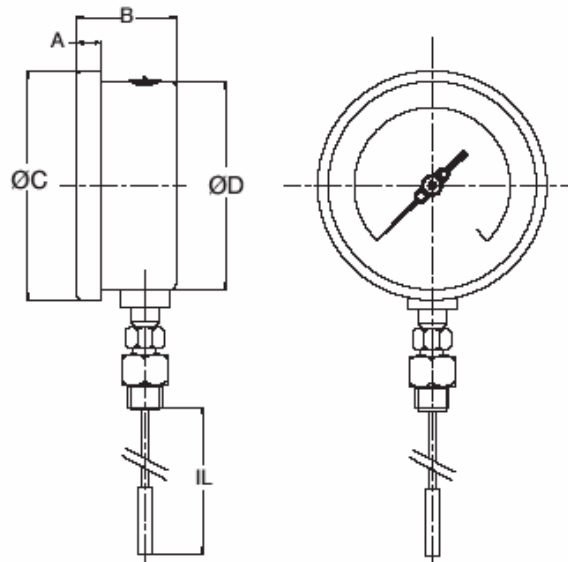
## TYPE 1



NS	A	B	ØC	ØD	S	M	IL	ØU	ØN	ØI
100	12.5	48	110	100	6	128	*	118	134	6
125	11	49	131	119	4	-	*	138	152	6
150	15	48	161	149	5.5	117	*	168	186	6
200	15	49	210.5	201.5	1.5	-	*	230	245	8
250	15	50.5	263	249	1.5	286.5	*	276	290	8

(\* AS PER CUSTOMER REQUIREMENT.)

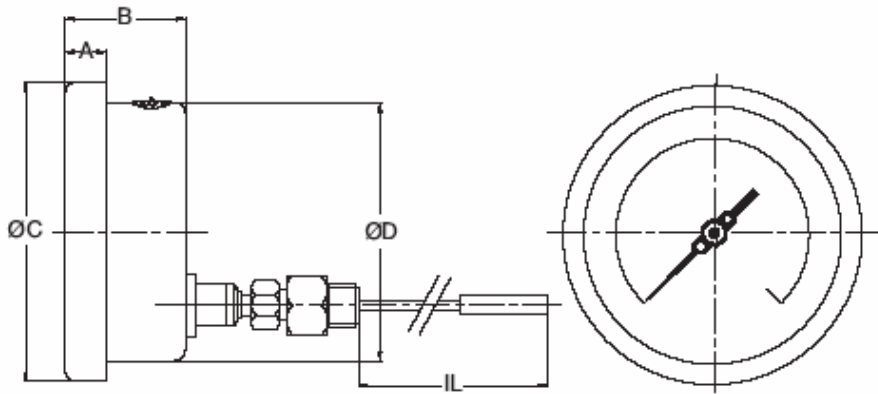
## TYPE 2



NS	A	B	ØC	ØD	IL
100	12.5	48	110	100	*
125	11	49	131	119	*
150	15	48	161	149	*
200	15	49	210.5	201.5	*
250	15	50.5	263	249	*

(\* AS PER CUSTOMER REQUIREMENT.)

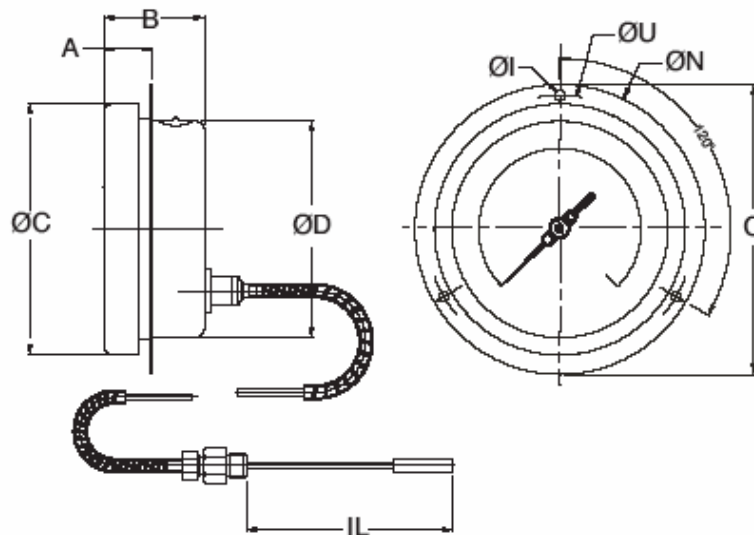
## TYPE 3



NS	A	B	ØC	ØD	IL
100	12.5	48	110	100	*
125	11	49	131	119	*
150	15	48	161	149	*
200	15	49	210.5	201.5	*
250	15	50.5	263	249	*

(\* AS PER CUSTOMER REQUIREMENT.)

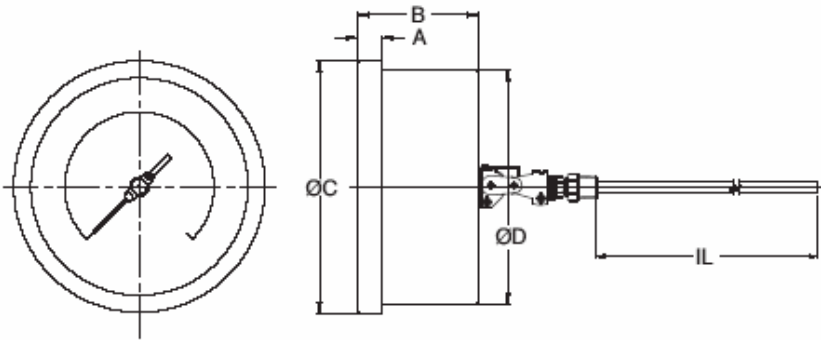
## TYPE 5



NS	A	B	ØC	ØD	S	IL	ØU	ØN	ØI
100	12.5	48	110	100	1	*	118	134	6
125	11	49	131	119	4	*	138	152	6
150	15	48	161	149	5	*	168	186	6
200	15	49	210.5	201.5	1.5	*	230	245	8
250	15	50.5	263	249	1.5	*	276	290	8

(\* AS PER CUSTOMER REQUIREMENT.)

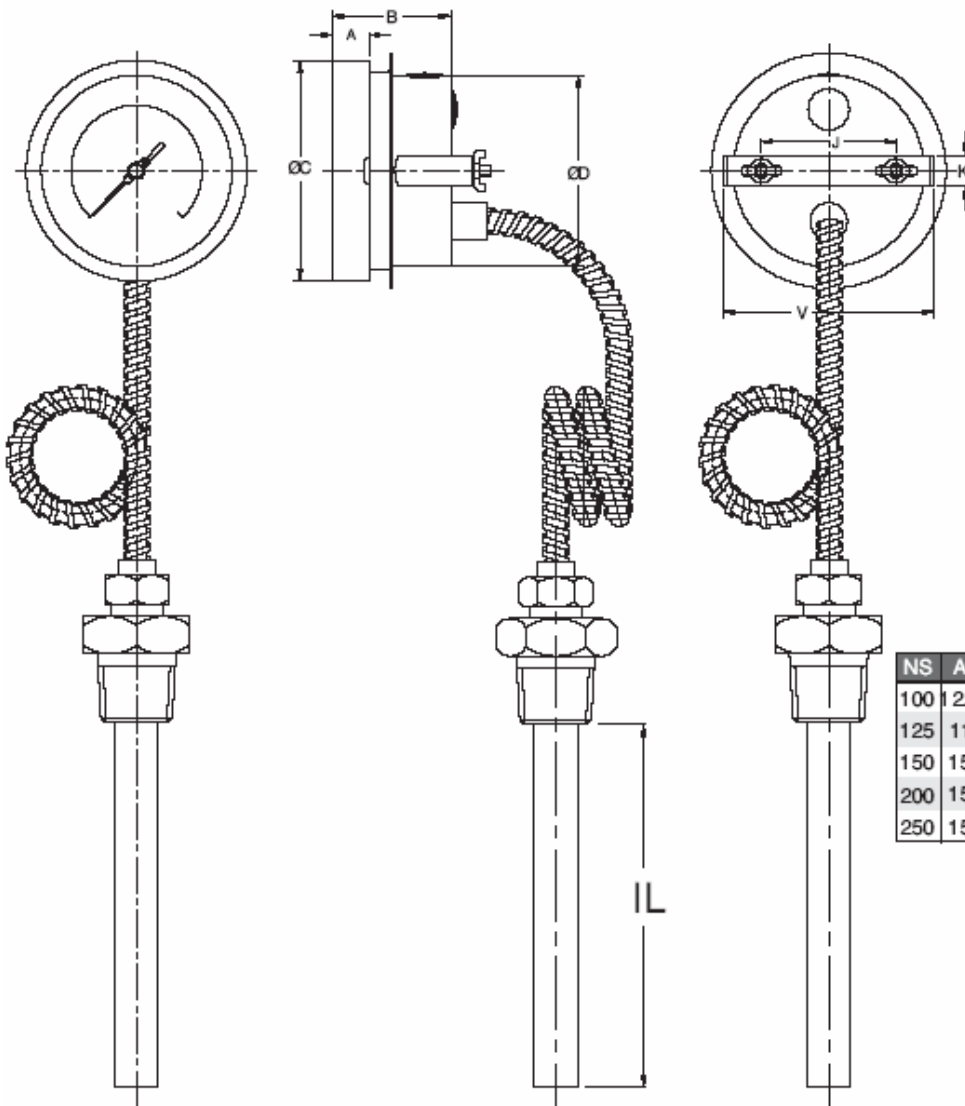
## TYPE 8



NS	A	B	ØC	ØD	IL
100	12.5	48	110	100	*
125	11	49	131	119	*
150	15	48	161	149	*
200	15	49	210.5	201.5	*
250	15	50.5	263	249	*

(\* AS PER CUSTOMER REQUIREMENT.)

## TYPE 9



NS	A	B	ØC	ØD	IL	J	K	V
100	12.5	48	110	100	*	66.5	16	106
125	11	48	131	119	*	80	16	129.5
150	15	49	161	149	*	103.5	16	158
200	15	49	210.5	201.5	*	165	16	208
250	15	50.5	263	249	*	215	16	260

(\* AS PER CUSTOMER REQUIREMENT.)

Notes : • Drawings are not to scale. • All Dimensions are in mm. • NS = Nominal Size.

## RANGE TABLE

Note : Manufacturer offers National / International Scales like ° C, ° F & Dual Scale in ° C & ° F & Scales as per the requirement can be provided on request

Following are the example tables for ° C

### STANDARD RANGES

POSITIVE RANGE SINGLE SCALE IN °C			
RANGE	RANGE	RANGE	RANGE
0/50	0/100	0/200	0/500
0/60	0/120	0/300	0/600
0/80	0/150	0/400	0/650
COMPOUND RANGE SINGLE SCALE IN °C			
RANGE	RANGE	RANGE	RANGE
- 80 / 70	- 20 / 60	- 20 / 180	- 30 / 120
- 50 / 50	- 20 / 80	- 30 / 70	- 30 / 170
- 80 / 40	- 40 / 40	- 20 / 40	- 20 / 100
- 40 / 60	- 30 / 50	- 20 / 80	

NOTE: Other compound ranges are available on request. Please consult factory.

### ACCESSORIES †

EA Anti Vibration spring

Thermowell

See Data Sheet EI

† Refer Datasheet for complete specifications

### OPTIONS

- PS AISI 316 SS CASE & BEZEL
- PW FIVE POINT CALIBRATION CERTIFICATE
- QA DAMPENING LIQUID SILICON OIL (NOT WITH ELECTRIC CONTACT)\*
- PY DAMPENING LIQUID GLYCERINE (NOT WITH ELECTRIC CONTACT)
- RH CUSTOM DESIGNED DIAL
- RX SHATTERPROOF GLASS
- RZ TOUGHENED GLASS
- SJ MAXIMUM READING POINTER ( EXCEPT NOMINAL SIZE 125mm / 200mm / 250mm & OPTION ELECTRIC CONTACT & DAMPENING LIQUID )
- SW DIAL TAG MARKING
- SX SS TAG PLATE
- QE ANTI VIBRATION SPRING ( Not available in mounting type 8 and capillary option)

PY

\* GASKET & PLUG OF VITON / NBR

### ELECTRIC CONTACTS

(WITH IP PROTECTION UP TO IP55, NOT AVAILABLE FOR NS 125 mm, 200 mm & 250 mm)

- A) MAGNETIC SNAP ACTION TYPE (230 V AC, 1 Amp.)    B) INDUCTIVE TYPE (220 V AC, 0.4 Amp.)  
(48 VDC, 0.5 Amp.)

- |  |  |
|--|--|
| RJ Single; NORMALLY CLOSED                 | YW Single; NORMALLY OPEN                   |
| RK Double; NORMALLY CLOSED + NORMALLY OPEN | YV Single; NORMALLY CLOSED                 |
| RL Single; NORMALLY OPEN                   | YX Double; NORMALLY CLOSED + NORMALLY OPEN |
| RM Double; NORMALLY OPEN + NORMALLY CLOSED | YY Double; NORMALLY OPEN                   |
| RN Double; NORMALLY CLOSED                 | YZ Double; NORMALLY CLOSED                 |
| RO Double; NORMALLY OPEN                   | ZA Double; NORMALLY OPEN + NORMALLY CLOSED |
| RU BOOSTER FOR CURRENT UPTO 5 Amp.         |  |
| RA SPDT                                    |  |
| RC DPDT                                    |  |

## HOW TO ORDER

### BASIC MODEL

CODE	F	G	H	I	J	CA
NOMINAL SIZE (MM)	100	125	150	200	250	F

### TYPE OF MOUNTING

1 WALL / SURFACE / PROJECTION MOUNTING WITH BOTTOM ENTRY	5
2 DIRECT BOTTOM ENTRY	
3 DIRECT LOWER BACK ENTRY	
5 FLUSH PANEL BACK ENTRY WITH FRONT FLANGE	
8 EVERY ANGLE BACK ENTRY (W/O CAPILLARY)	
9 BACK ENTRY WITH MOUNTING BRACKET	

### GAUGE CONNECTION

3BM 3/8" BSP (M)	3NM 3/8" NPT (M)	4NM
4BM 1/2" BSP (M) STANDARD	4NM 1/2" NPT (M) STANDARD	
4TM 1/2" BSPT (M)	4MM M 20 X 1.5 (M)	
3TM 3/8" BSPT (M)	WV 3/4" BSP (M)	

Note : Connections like PT/PF/Flaired /UNF/G/R etc. can be provided on request.  
Non standard connections can be provided through adaptors.

### STEM DIAMETER

1U 6 mm	2I 9.5 mm	2K 12 mm	2C
2C 8 mm	2J 10 mm		

### TOTAL STEM LENGTH (BELOW CASE)

PLEASE SPECIFY IN mm (INCLUDING IMMERSION & EXTENSION LENGTH)

### RANGE

REFER TABLES

### TYPE

A0 WITHOUT CAPILLARY	100 °C
A1 WITH CAPILLARY	

### CAPILLARY

PE AISI 304 SS	PG AISI 316 SS	PE
----------------	----------------	----

### CAPILLARY COVERED WITH ARMOUR

PF AISI 304 SS	PH AISI 316 SS	PI PVC	PF
----------------	----------------	--------	----

### CAPILLARY LENGTH (Max up to 25Mtrs.)

IN METERS (e.g. 1.5 = 1.5 METERS 2.0 = 2 METERS)

### OPTIONS

REFER OPTIONS TABLE ON PREVIOUS PAGE

FOR NON STANDARD PRODUCTS/OPTIONAL ITEMS, PLEASE CONTACT FACTORY FOR DELIVERY AND MINIMUM QUANTITY OF ORDER.

### Ordering Example:

CA - F - 5 - 4NM - 2C - 100 - 100°C - AO - PE - PF - 3Mtr. - PY

Note : ● Due to continuous improvement, the specification may vary from time to time.