

## STEM TYPE



### SPECIAL FEATURES

- RESIST TO HIGH TEMPERATURE & EXCESSIVE VIBRATION SYSTEM
- ROBUST CONSTRUCTION
- CORROSION, WEAR & TEAR PROOF
- SILICONE OIL FILLED
- ACCURATE & RELIABLE

THIS NITROGEN FILLED THERMOMETER IS THE MOST WIDELY SPECIFIED INSTRUMENT FOR MEASURING EXHAUST GAS TEMPERATURES IN DIESEL ENGINES. THE NITROGEN FILLED SYSTEM IS BOTH RELIABLE & ACCURATE AS WELL AS ENVIRONMENT FRIENDLY. THE INSTRUMENTS ARE PROTECTED AGAINST VIBRATION USING SILICONE OIL TO ENSURE MAXIMUM LIFE UNDER THE MOST SEVERE CONDITIONS. THE INSTRUMENT FIELD APPLICATIONS ARE REFINERY / DIESEL POWER GENERATION SETS / POWER / PULP & PAPER & ALLIED PROCESS INDUSTRIES.

### SPECIFICATIONS

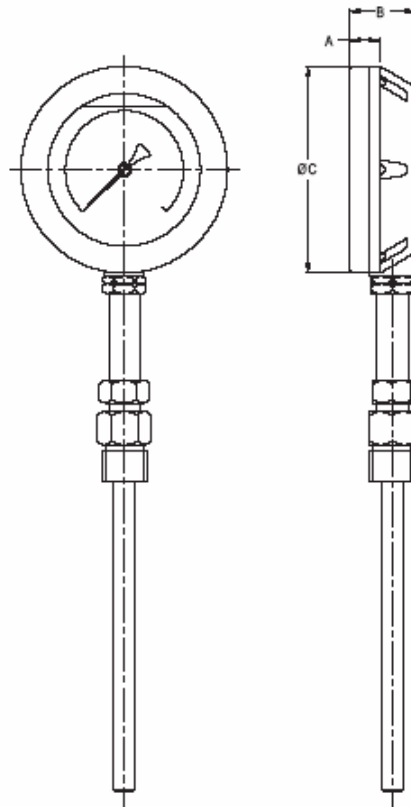
#### STANDARD VERSION : 100mm

Accuracy	: Class 1 as per EN-13190 : 1999
Temp. Ranges	: 50°C - 650°C (120°F - 1200°F)

Nominal size	: 100 mm
Case & Bezel	: Diecast Aluminium, Black Coloured
Bulb Diameter	: 12mm
Bulb Material	: SS304
Connection	: 3/4" BSP(M) / 1/2" BSP(M)
Connection Material	: SS304
Pointer	: Slotted zero adjustable

Mounting	: Direct Bottom Entry
Dial	: Silver background with scale marking as : degree C in : outside in black colour & degree F on inside in red colour
Window	: Glass
Case Filling	: Silicone Oil Filled





A	B	ØC	Weight in gram (With Box)
18	38.5	119	1360.0

Notes : • Drawing not to scale. • All Dimensions are in mm.

## HOW TO ORDER

### BASIC MODEL

CC

### STEM LENGTH (REFER DIMENSIONAL DRAWING)

200mm  
250mm  
300mm

200mm

### ADJUSTABLE CONNECTION

4BM 1/2" BSP(M)  
6BM 3/4" BSP(M)

4BM

### OPTIONS

PW

FOR NON STANDARD PRODUCTS/OPTIONAL ITEMS, PLEASE CONTACT FACTORY FOR DELIVERY AND MINIMUM QUANTITY OF ORDER.

PW FIVE POINT CALIBRATION CERTIFICATE  
RH CUSTOM DESIGN DIALS

### Ordering Example:

CC - 200mm - 4BM - PW

Note : • Due to continuous improvement, the specification may vary from time to time.