

PRESSURE & TEMPERATURE INDICATOR

CD

SPECIAL FEATURES

- EASE FOR OPERATION
- PRESSURE & TEMPERATURE INDICATION IN ONE UNIT
- COST EFFECTIVE
- EXCELLENT FOR HVAC INDUSTRY

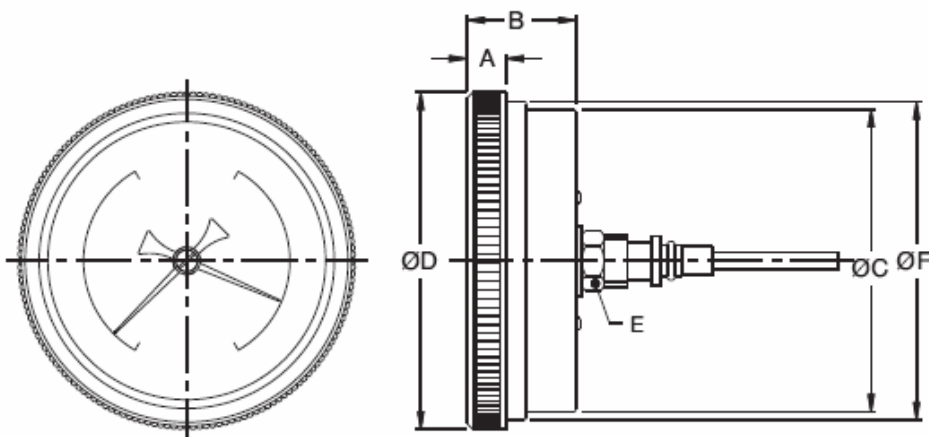


SPECIFICATIONS

STANDARD VERSION : 100mm

Nominal size	: 100 mm
Case	: Plastic
Connection	: AISI 304 SS
Stem diameter	: 6 mm (standard)
Stem material	: AISI 316 SS
Pointer	: Aluminium, black coloured. For Temp. = slotted For Press. = fixed
Dial	: Aluminium, black graduation on white background.
Movement	: Copper Alloy

DIMENSIONS - STANDARD VERSION



NS	A	B	ØC	ØF	ØD	E	Weight in gram (With Box)
100	13	44	104	109.5	116	17	440.0

HOW TO ORDER

BASIC MODEL

CD

MOUNTING

4 DIRECT CENTRE BACK

4

Process Connection

3BM 3/8" BSP (M) STANDARD
3JM 3/8" PF (M)

3BM

STEM DIAMETER

1U 6mm

1U

STEM LENGTH [Below threads]

Please specify in mm (Minimum stem length is 65 mm)

100mm

PRESSURE RANGE in Kg/cm²

06 0 to 6 07 0 to 7 10 0 to 10 16 0 to 16 21 0 to 21 25 0 to 25
40 0 to 40

06

TEMPERATURE RANGE in °C

50 0 to 50 °C 100 0 to 100 °C 150 0 to 150 °C

50

Ordering Example:

CD - 4 - 3BM - 1U - 100mm - 06 - 50

Note: Pressure and temperature ranges are available in multiple units of measurement.

Note : ● Due to continuous improvement, the specification may vary from time to time.

FOR NON STANDARD PRODUCTS/OPTIONAL ITEMS, PLEASE CONTACT FACTORY FOR DELIVERY AND MINIMUM QUANTITY OF ORDER.