



Hazardous sightglass light fittings from stainless steel

Series EdelEx 5 dH / 10 dH / 20 dH for metal fused sightglasses for Triclamp fittings series metaClamp®



Sightglass light fitting, type EdelEx STERI-LINE 20 dH, 24 V, 20 W, EEx d IIC T4, Ex II 2 G + D, on metal fused sightglass, DN 100

Application:

On metal fused sightglasses for Triclamp fittings to DIN 32676 / ISO 2852 for the optimal illumination of small and pilot reactors as well as vessels for sterile and aseptic applications, mainly in the pharmaceutical, biotechnological, cosmetic and food processing industries.

On demand also available for mounting on metal fused sightglasses for Triclamp fittings in aseptic version to DIN 11864-3.

Advantages:

- Brilliant and glare free illumination
- Extremely small dimensions
- For sterile applications
- High security
- Easy installation

Light fitting series EdelEx STERI-LINE (for use in hazardous areas):

Supply: AC or DC (with integrated transformer AC only)
24, 36, 42, 115, 230, 240 V with integrated transformer (5, 10 W)
12, 24 V without integrated transformer (20 W)

Power: 5, 10, 20 W

Housing: Stainless steel

Protection mode: IP 65, dust and spray water tight to EN 60529 / DIN VDE 0470 part 1

Ignition protection type: EEx d

Explosion group: IIC

Temperature classes: T4 (10 and 20 W), T6 (5 W)

ATEX: Ex II 2 G + D, T 130 °C (T 80 °C in version T6)

For more technical details see data sheet EdelEx 5 dH / 10 dH / 20 dH

Metal fused sightglass:

Approvals:

A3 Standard for food processing

Technical data:

- Test base: DGRL 97 / 23 / EG, AD 2000 standards, DIN 7079-1 May 1999
- Materials to VdTÜV specifications and the respective DIN/EN standards
- Glass quality: Borosilicate glass to DIN 7080

Certificates:

- To be supplied against extra charge to DIN EN 10204

Operating conditions:

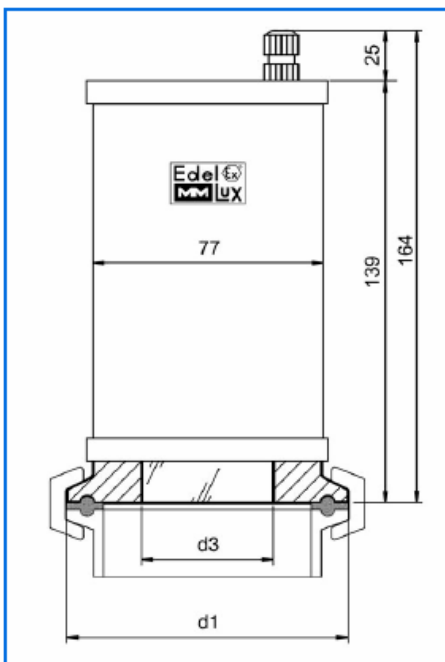
- Pressure: -1 to 6 / 10 / 16 bar (see table)

Temperatures:

Ring materials:	1.4462:	-30 °C to +280 °C
	2.4602:	-60 °C to +300 °C
	2.4610:	-60 °C to +300 °C

Dimensions:

Nominal diameter (DN)		d1	d3	Max. operating pressure (bar)
(mm)	(inch)			
25 / 32 / 40	1", 1½"	50,5	25	16
50	2"	64	30	16
-	2½"	77,5	35	16
65	3"	91	38	10
80	3½"	106	38	10
100	4"	119	38	10



Dimensions with mounted sightglass light fitting type EdelEx STERI-LINE

All dimensions in mm. Subject to changes without preliminary notice.