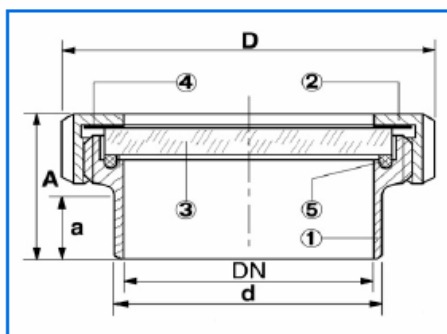




Screwed dairy sightglasses similar to DIN 11851 Series SSA



Screwed sightglass, DN 100, PN 6, type SSA 100



Type	DN	a	A	d	D
SSA 50	50	18	46	55	92
SSA 65	65	22	49	72	112
SSA 80	80	23	54	87	127
SSA 100	100	32	65	106	148
SSA 125	125	20	60	132	178
SSA 150	150	15	62	157	210

Branch office / exclusive agent:

Application:

Screwed dairy sightglasses of the series SSA are used for the visual control of processes inside vessels, storage tanks, mixers, reactors etc. They are preferably used in pharmaceutical, cosmetics and food processing industries (milk industry, breweries, pharmaceutical plants etc).

They may be sterilised due to the high operating temperatures admitted.

Construction and standard materials:

Our delivery normally contains (standard version):

- | | |
|-----------------------|---|
| ① Welding flange | AISI 316 L (1.4404) |
| ② Grooved collar nut | AISI 304 (1.4301) or AISI 304 L (1.4307) |
| ③ Glass disc | Sodium silicate to DIN 8902 (max. 150 °C)
or
Borosilicate to DIN 7080 (max. 280 °C) |
| ④ Gasket | PTFE |
| ⑤ Gasket product side | Silicone |

Special versions (On demand):

Special steel qualities for ① and ②

EPDM, PTFE or Viton for ⑤

Aseptic design

Gasket product side with certificate FDA

Welding flange with thick wall to old DIN standards

Conditions of service:

Pressure: Max. 6 bar

Vacuum

Temperature: Depending on gasket quality

Special conditions: On demand

The above indications are only valid for sightglasses **without** wipers of the series W / WD!

Certificates:

To be supplied against extra charge to DIN EN 10204.

Possible combinations with light fittings:

From DN 50: With light fittings EdelLUX®, series EdelEx
With light fittings miniLUX®, series KVL/KVLR/BKVLR
With fibre optic light fittings fibroLUX®

From DN 65: With light fittings metaLUX®, series HLM / HLMR
With light fittings CHEMLUX®, series F(L)KEL / (L)KEL / KL

From DN 80: With light fittings miniLUX®, series KLR
With light fittings CHEMLUX®, series PEL / PL

From DN 65 on, metaLUX® light fittings of the series HLM may be mounted **together** with wipers of the series W / WD. (See separate data sheet)

In case of order of combined units, the necessary adaptation of the grooved collar nut is made in our works.

Do you wish for more information about our wide range of light fittings for use in hazardous and safe areas, about our range of circular sightglasses to DIN 28120/28121, screwed sightglasses similar to DIN 11851, rectangular or D-ended sightglasses, pipeline flow indicators, centrally or sideways operated wipers, hinged sightglasses, spraying devices or our complete sight and lightglass units VETROLUX®? Are you interested in other types, special versions or different protection degrees? If yes, please contact us, our branch office or our local agents – it is our business! You will find the necessary indications about our sales network on the Internet.

All dimensions in mm. Subject to changes without preliminary notice.