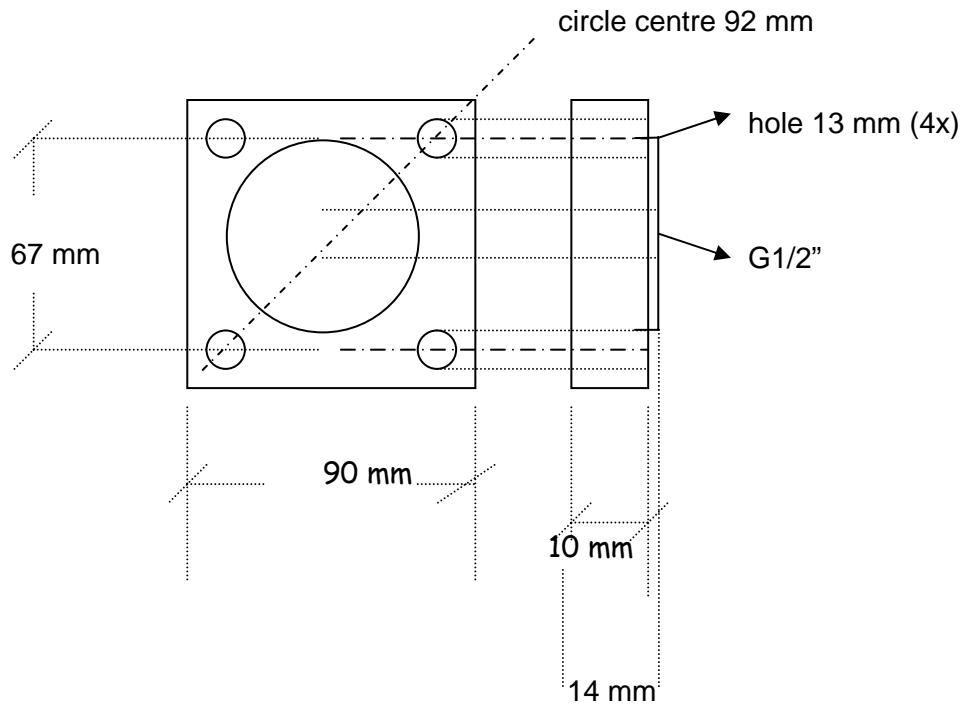


# Square flange with G $\frac{1}{2}$ " instrument connection

A	Square flange	1	Stainless Steel AISI 316



## Remarks

1. applicable to all instrumentation with G $\frac{1}{2}$ " connection