

BOURDON TYPE

AA

SPECIAL FEATURES

- ECONOMICAL VERSION
- GENERAL PURPOSE APPLICATION
- VALVE POSITIONER / REGULATOR GAUGES
(25 mm / 40 mm / 50 mm)



APPLICATIONS

MAINLY FOR WATER / AIR APPLICATION
 PETROCHEMICALS / PHARMACEUTICAL / POWER / CEMENT /
 SUGAR / FOOD & BEVERAGES / PULP & PAPER
 & ALLIED PROCESS INDUSTRIES.

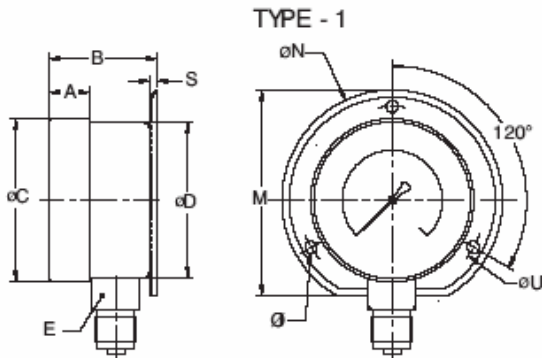
SPECIFICATIONS

STANDARD VERSION : 40mm, 50mm, 63mm, 80mm, 100mm, 150mm, 250mm

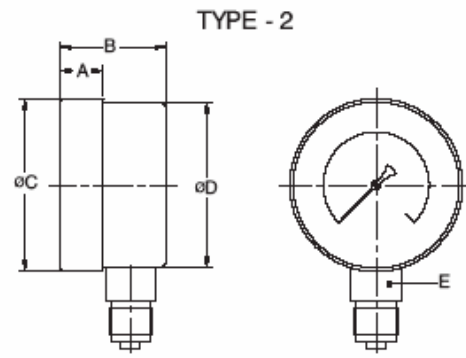
Accuracy	: ±1.6% of F. S. (Above NS 100mm)
	: ±2.5% of F. S. (For NS 40mm,50mm,63mm & 80mm)
Ambient temperature	: - 20°C to + 60°C
Process temperature	: Max 120°C
Operating pressure	: 25% to 75% of F.S.
Over pressure limit	: Not Applicable

Case	: Steel, black powder Coated
Ring	: Steel, black powder Coated
Socket	: Copper Alloy
	: AISI 316 SS for Ammonia ranges
Bourdon	: Copper Alloy upto 400 kg/cm ² ,
	: AISI 316 SS for above 400 to1000 kg/cm ²
	: AISI 316 SS for Ammonia ranges
Movement	: Copper Alloy
Joints	: Alloy Brazing / Soldering

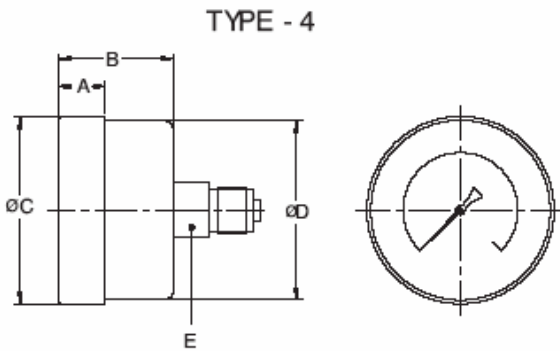
Dial	: Aluminium, black graduation on white background
Pointer	: Aluminium, black coloured, Fixed.
Window	: Sheet Glass



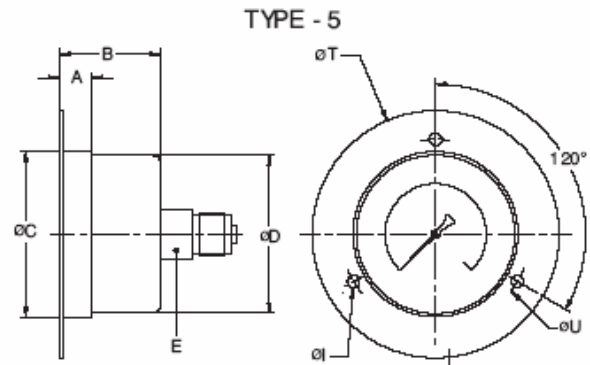
NS	A	B	ØC	ØD	E	M	S	ØN	ØU	ØI	Weight in gram (With Box)
63	12	30	63	62	14	80	5	88	76	5	160.0
100	13	36	99	97	17	117	1.2	132	118	6	405.5
150	16	47.5	155	154	17	181	7	195.5	-	-	729.5
250	37.5	55	252	249	22	280	8	288.5	-	-	2300



NS	A	B	ØC	ØD	E	Weight in gram (With Box)
40	10	26.5	44	42	12	81.5
50	10	29	53	52	14	101.0
63	12	29	63	62	14	120.0
80	12	35	78	76	14	195.0
100	13	35	99	97	17	343.0
150	16	43	155	154	17	695.0
250	37.5	51	252	249	22	1580.0



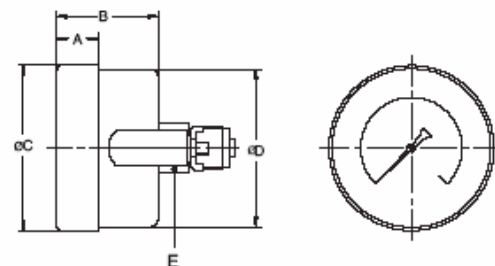
NS	A	B	ØC	ØD	E	Weight in gram (With Box)
40	7	24	42	41	11	69.0
50	11	29	54	52	14	148.0
63	12	29.5	67	65.5	14	174.0
80	12	35	78	76	14	190.0
100	13	36	99	97	17	343.0
150	16	43	155	154	17	662.5
250	37.5	55	252	249	22	2150



NS	A	B	ØC	ØD	E	ØT	ØU	ØI	Weight in gram (With Box)
63	12	31	63	62	14	90	76	4	210.0
100	14	33	99	97	17	134	117	4	444.5
150	16	37	155	154	17	184	170	5	581.0

TYPE - 9

NS	A	B	ØC	ØD	E	Weight in gram (With Box)
40	7	24	42	41	11	105.0
50	11	29	54	52	14	210.0
63	12	29.5	67	65.5	14	240.0
100	13	36	99	97	17	410.0
150	16	43	155	154	17	720.0



Notes : • Drawings are not to scale. • All Dimensions are in mm. • NS = Nominal Size.

RANGE TABLE

Note : Manufacturer offers National / International Scales like kPa, Mpa, bar, psi, kg/cm² & Dual Scale like kPa with psi, kPa with bar, bar with psi or Equivalent scales as per the requirement can be provided on request.

Following are the example tables for kg/cm² & psi scales

PRESSURE RANGE

RANGE (PSI with kg/cm ²)		40	50	63	80	100	150	250
RANGE PSI	RANGE kg/cm ²							
-30 inHg / 0	-760 mmHg / 0	×	✓	✓	✓	✓	✓	✓
0/15 psi	0/1 kg/cm ²	×	✓	✓	✓	✓	✓	✓
0/30psi	0/2 kg/cm ²	✓	✓	✓	✓	✓	✓	✓
0/60 psi	0/4 kg/cm ²	✓	✓	✓	✓	✓	✓	✓
0/100 psi	0/7 kg/cm ²	✓	✓	✓	✓	✓	✓	✓
0/150 psi	0/10 kg/cm ²	✓	✓	✓	✓	✓	✓	✓
0/200 psi	0/14 kg/cm ²	✓	✓	✓	✓	✓	✓	✓
0/300 psi	0/21 kg/cm ²	✓	✓	✓	✓	✓	✓	✓
0/400 psi	0/28 kg/cm ²	✓	✓	✓	✓	✓	✓	✓
0/500 psi	0/35 kg/cm ²	✓	✓	✓	✓	✓	✓	✓
0/600 psi	0/40 kg/cm ²	✓	✓	✓	✓	✓	✓	✓
0/1000 psi	0/70 kg/cm ²	✓	✓	✓	✓	✓	✓	✓
0/1500 psi	0/100 kg/cm ²	✓	✓	✓	✓	✓	✓	✓
0/2000 psi	0/140 kg/cm ²	✓	✓	✓	✓	✓	✓	✓
0/3000 psi	0/210 kg/cm ²	✓	✓	✓	✓	✓	✓	✓
0/4000 psi	0/280 kg/cm ²	✓	✓	✓	✓	✓	✓	✓
0/5000 psi	0/350 kg/cm ²	×	×	✓	✓	✓	✓	✓
0/6000 psi	0/400 kg/cm ²	×	×	✓	✓	✓	✓	✓
0/10000 psi	0/700 kg/cm ²	×	×	✓	✓	✓	✓	✓
0/15000 psi	0/1000 kg/cm ²	×	×	✓	✓	✓	✓	✓
-30inHg/15	-1/1 kg/cm ²	×	×	✓	✓	✓	✓	✓
-30inHg /30	-1/2 kg/cm ²	×	×	✓	✓	✓	✓	✓
-30inHg /60	-1/3 kg/cm ²	×	×	✓	✓	✓	✓	✓
-30inHg /100	-1/6 kg/cm ²	×	×	✓	✓	✓	✓	✓
-30inHg /150	-1/9 kg/cm ²	×	×	✓	✓	✓	✓	✓
-30inHg /200	-1/15 kg/cm ²	×	×	✓	✓	✓	✓	✓
-30inHg /300	-1/20 kg/cm ²	×	×	✓	✓	✓	✓	✓
-30inHg /400	-1/24 kg/cm ²	×	×	✓	✓	✓	✓	✓

AMMONIA WITH TEMPERATURE SCALE

- 30 inHg / 150 psi	×	×	✓	✓	✓	×	×
- 30 inHg / 300 psi	×	×	✓	✓	✓	×	×
- 1 / 12.5 kg/cm ²	×	×	✓	✓	✓	×	×
- 1 / 16 kg/cm ²	×	×	✓	✓	✓	×	×
- 1 / 25 kg/cm ²	×	×	✓	✓	✓	×	×

FREON WITH TEMPERATURE SCALE

- 30 inHg / 150 psi	×	×	✓	✓	✓	×	×
- 30 inHg / 300 psi	×	×	✓	✓	✓	×	×
0/300 psi	×	×	✓	✓	✓	×	×
0/500 psi	×	×	✓	✓	✓	×	×

ACCESSORIES †

EC	GAUGE COCK	EG	SNUBBER
*	NEEDLE VALVE	EH	SIPHON

† Refer Datasheet for complete specifications * Refer catalogue for Valves & Manifolds

HOW TO ORDER

BASIC MODEL

CODE	B	C	D	E	F	H	J
NOMINAL SIZE (MM)	40	50	63	80	100	150	250

TYPE OF MOUNTING

	B	C	D	E	F	H	J
1 Wall/ Surface/ projection with Bottom Entry	X	X	✓	✓	✓	✓	✓
2 Direct Bottom Entry	✓	✓	✓	✓	✓	✓	✓
4 Direct Centre Back Entry	✓	✓	✓	✓	✓	✓	✓
5 Panel Back Entry With Front Ring	X	X	✓	X	✓	✓	X
9 Panel Back Entry With Mounting Bracket	✓*	✓*	✓	X	✓	✓	X

Note : *These gauges will have crimped bezel ring.

CONNECTION

1BM 1/8" BSP(M)	✓	✓	X	X	X	X	X
1NM 1/8" NPT(M)	✓	✓	X	X	X	X	X
2BM 1/4" BSP(M)	X	X	✓	✓	✓	✓	✓
2NM 1/4" NPT(M)	X	X	✓	✓	✓	✓	✓
3BM 3/8" BSP(M)	X	X	X	X	✓	✓	✓
3NM 3/8" NPT(M)	X	X	X	X	✓	✓	✓
4BM 1/2" BSP(M)	X	X	X	X	✓*	✓	✓
4NM 1/2" NPT(M)	X	X	X	X	✓*	✓	✓
1TM 1/8" BSPT(M)	✓	✓	X	X	X	X	X
2TM 1/4" BSPT(M)	X	X	✓	✓	✓	✓	✓
3TM 3/8" BSPT(M)	X	X	X	X	✓	✓	✓
4TM 1/2" BSPT(M)	X	X	X	X	✓*	✓	✓

Note : Connections like PT/PF/Flaired /UNF/G/R etc.can be provided on request.
Non standard connections can be provided through adaptors.

* These connections will be provided through adaptors.

RANGE

REFER TABLES

OPTIONS

FOR NON STANDARD PRODUCTS/OPTIONAL ITEMS, PLEASE CONTACT FACTORY FOR DELIVERY AND MINIMUM QUANTITY OF ORDER.

QB INTEGRAL DAMPENING SCREW

RH CUSTOM DESIGNED DIAL

SG OXYGEN SERVICE

ZC FREON RANGE (WITH TEMPERATURE SCALE)

ZD AMMONIA RANGE (WITH TEMPERATURE SCALE)

Ordering Example:

AA - B - 4 - 1BM - 0/10kg/cm² - RH

Note : ● Minimum preferred quantity shall be 100 nos.

- In special cases like colour & logo on gauges, extra price will be charged. Please refer to factory.
- Bayonet design of Bezel can be provided on confirmation from factory for NS 63 and above.
- Due to continuous improvement, the specification may vary from time to time.

AA

B

4

1BM

 0/10
kg/cm²

RH