

## BOURDON TYPE

**AB**

### SPECIAL FEATURES

- STAINLESS STEEL CASE & MEASURING SYSTEM
- DRY OR LIQUID VERSION
- STANDARD FOLLOWED EN 837 - 1



### APPLICATIONS

FOOD & BEVERAGE, PHARMACEUTICAL,  
REGULATORS, PUMPS, HYDRO-CLEANING  
MACHINES, PRESSES, ENGINE COMPRESSORS,  
TURBINES, DIESEL ENGINES & REFRIGERATING  
PLANTS

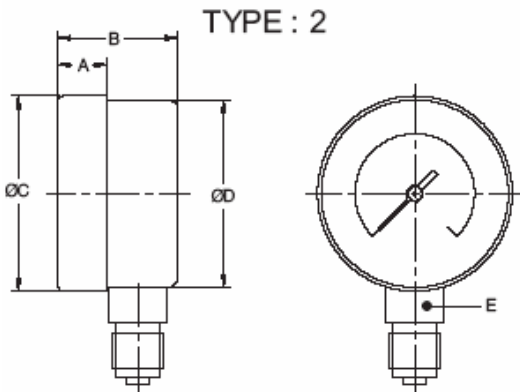
### SPECIFICATIONS

STANDARD VERSION : 40mm, 50mm

Accuracy	: ± 2.5 % of F.S.
Ambient temperature	: - 40°C to + 60°C
Process temperature	: Max. 180°C
Operating pressure	: 75 % of the scale value
Over pressure limit	: 25 % for pressure ranges up to 100 kg/cm <sup>2</sup> 15 % for pressure ranges above 100 kg/cm <sup>2</sup>

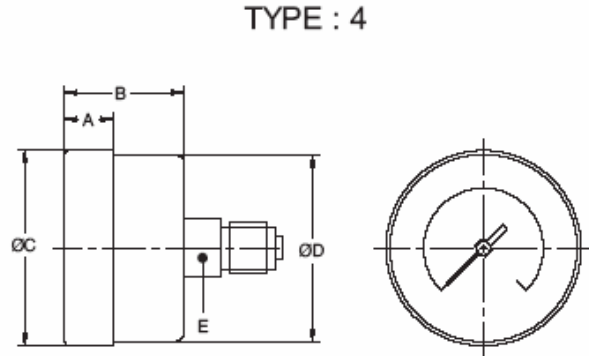
Case	: AISI 304 SS
Ring	: AISI 304 SS (push fit type for 40mm & Bayonet type for 50mm)
Socket	: AISI 316 SS
Bourdon	: AISI 316 SS
Movement	: AISI 304 SS
Joints	: TIG argon arc welding

Dial	: Aluminium, black graduation on white background
Pointer	: Aluminium, black coloured, Fixed.
Window	: Sheet Glass
Gasket	: Silicon Rubber



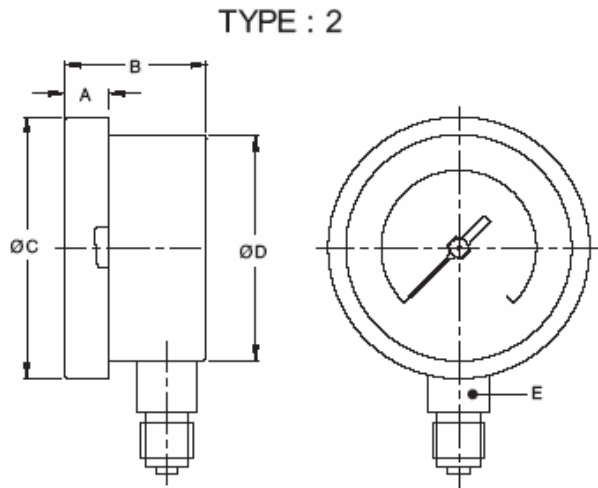
**PUSH FIT TYPE (STANDARD)**

NS	A	B	ØC	ØD	E	Weight in gram (With Box)
40	8	25	43	41	11	77.0



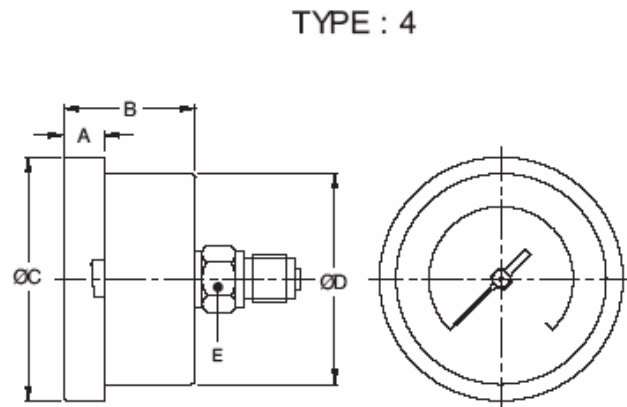
**PUSH FIT TYPE (STANDARD)**

NS	A	B	ØC	ØD	E	Weight in gram (With Box)
40	8	25	43	41	11	80.0



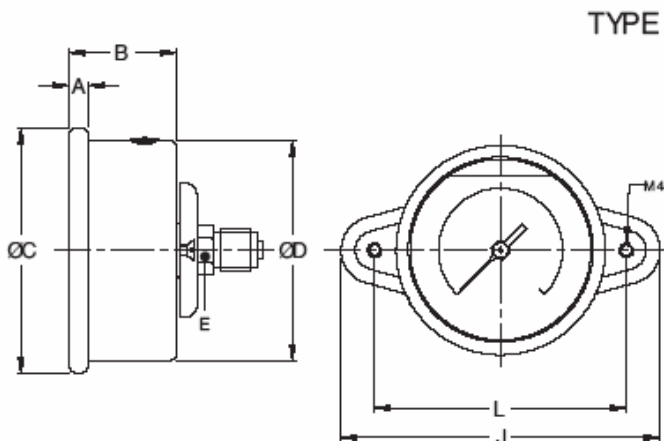
**BAYONET TYPE (STANDARD)**

NS	A	B	ØC	ØD	E	Weight in gram (With Box)
50	10	31	59	51	14	136.0



**BAYONET TYPE (STANDARD)**

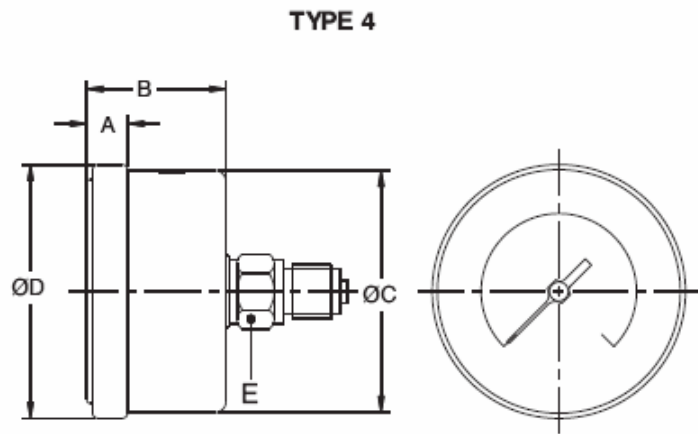
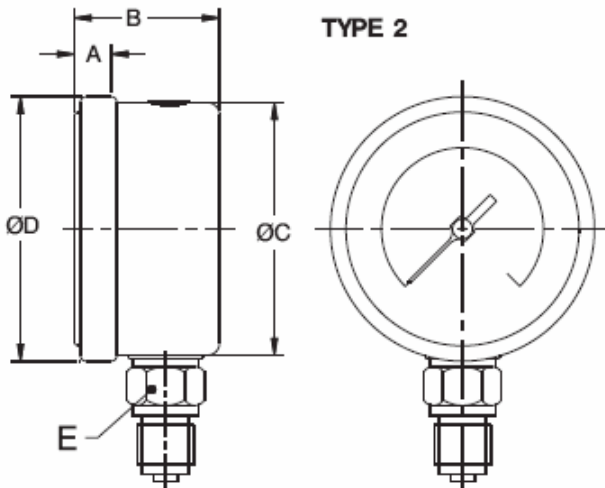
NS	A	B	ØC	ØD	E	Weight in gram (With Box)
50	10	31	59	51	14	162.0



**ROLLING TYPE FOR FILLED VERSION (STANDARD)**

NS	A	B	ØC	ØD	E	L	J	Weight in gram (With Box) Liquid filled
50	5	29	57	51.5	A/F 14	71	91	243.5

Notes : • Drawings are not to scale. • All Dimensions are in mm. • NS = Nominal Size.



ROLLING TYPE (OPTION)

NS	A	B	ØC	ØD	E	Weight in gram (With Box)
50	4.5	29.0	51.5	57.5	14	118.5

ROLLING TYPE (OPTION)

NS	A	B	ØC	ØD	E	Weight in gram (With Box)
50	4.5	29.0	51.5	57.5	14	118.5

## RANGE TABLE

Note : Manufacturer offers Pressure ranges, Vacuum ranges and Compound ranges in Scales like kPa, MPa, bar, psi, kg/cm<sup>2</sup> & Dual Scale like kPa with psi, kPa with bar, bar with psi or scales as per the requirement can be provided on request.

Following are the example tables for kg/cm<sup>2</sup> & psi scales

## PRESSURE RANGE

RANGE (PSI with kg/cm <sup>2</sup> )		40	50
RANGE PSI	RANGE kg/cm <sup>2</sup>		
-30 inHg / 0	-760 mmHg / 0	×	✓
0/15 psi	0/1 kg/cm <sup>2</sup>	×	✓
0/30psi	0/2 kg/cm <sup>2</sup>	✓	✓
0/60 psi	0/4 kg/cm <sup>2</sup>	✓	✓
0/100 psi	0/7 kg/cm <sup>2</sup>	✓	✓
0/150 psi	0/10 kg/cm <sup>2</sup>	✓	✓
0/200 psi	0/14 kg/cm <sup>2</sup>	✓	✓
0/300 psi	0/21 kg/cm <sup>2</sup>	✓	✓
0/400 psi	0/28 kg/cm <sup>2</sup>	✓	✓
0/500 psi	0/35 kg/cm <sup>2</sup>	✓	✓
0/600 psi	0/40 kg/cm <sup>2</sup>	✓	✓
0/1000 psi	0/70 kg/cm <sup>2</sup>	✓	✓
0/1500 psi	0/100 kg/cm <sup>2</sup>	✓	✓
0/2000 psi	0/140 kg/cm <sup>2</sup>	✓	✓
0/3000 psi	0/210 kg/cm <sup>2</sup>	✓	✓
0/4000 psi	0/280 kg/cm <sup>2</sup>	✓	✓
0/5000 psi	0/350 kg/cm <sup>2</sup>	×	✓
0/6000 psi	0/400 kg/cm <sup>2</sup>	×	✓

## ACCESSORIES †

EC GAUGE COCK

EG SNUBBER

\* NEEDLE VALVE

† Refer Datasheet for complete specifications

\* Refer catalogue for valves and manifolds

## HOW TO ORDER

### BASIC MODEL

CODE	B	C
NOMINAL SIZE (mm)	40	50

AB

B

### TYPE OF MOUNTING

- 2 DIRECT BOTTOM ENTRY
- 4 DIRECT CENTRE BACK ENTRY
- 9 BACK ENTRY WITH MOUNTING BRACKET (ONLY FOR NS-50 mm & ROLLING TYPE DESIGN)

2

### GAUGE CONNECTION

- 1BM 1/8" BSP (M) STANDARD
- 1NM 1/8" NPT (M) STANDARD
- 1TM 1/8" BSPT (M)
- 2NM 1/4" NPT (M) STANDARD
- 2BM 1/4" BSP (M) STANDARD
- 2TM 1/4" BSPT (M)

2NM

Note : Connections like PT/PF/Flaired /JNF/G/R etc. Can be provided on request.  
Non standard connections can be provided through adaptors.

### RANGE

REFER TABLES

0-10  
kg/cm<sup>2</sup>

### OPTIONS

FOR NON STANDARD PRODUCTS/OPTIONAL ITEMS, PLEASE CONTACT FACTORY FOR DELIVERY AND MINIMUM QUANTITY OF ORDER.

- |   |   |
|---|---|
| PW FIVE POINT CALIBRATION CERTIFICATE   | SG OXYGEN SERVICE   |
| QB DAMPENING SCREW IN AISI 316 SS       | RQ ENCLOSURE PROTECTION IP - 65<br>(IF BAYONET TYPE CASE & BEZEL) |
| RH CUSTOM DESIGNED DIAL                 | SX SS TAG PLATE   |
| PY DAMPENING LIQUID GLYCERINE FILLED    | FS FILLABLE LIQUID SILICON OIL*                                   |
| QA DAMPENING LIQUID SILICON OIL FILLED* | FG FILLABLE LIQUID GLYCERINE                                      |
| SQ CASE WITH ROLLING TYPE BEZEL         |   |

SX

Note: Option PY, QA, FS, FG, SN are applicable for NS 50mm & Rolling type design.

\* GASKET & FILLING PLUG OF VITON /NBR

### Ordering Example:

**AB - B - 2 - 2NM - 0/10kg/cm<sup>2</sup> - SX**

Note: ● Due to continuous improvement, the specification may vary from time to time.