

BOURDON TYPE



SPECIAL FEATURES

- PP CASE & STAINLESS STEEL MEASURING SYSTEM
- DRY OR LIQUID FILLED
- ACCURACY UPTO 0.5%
- STANDARD FOLLOWED IN GENERAL EN 837-1



APPLICATIONS

FOOD & BEVERAGE, PHARMACEUTICAL, CRYOGENICS, CHEMICAL & PETROCHEMICAL INDUSTRIES, CONVENTIONAL & NUCLEAR POWER PLANTS, PUMPS, HYDRO-CLEANING MACHINES, PRESSES, ENGINE COMPRESSORS, TURBINES, DIESEL ENGINES & REFRIGERATING PLANTS.

SPECIFICATIONS

STANDARD VERSION : 100mm, 150mm

Accuracy	: ±1.0% of F.S.
Ambient temperature	: - 25°C to + 65°C
Process temperature	: Max. 300°C
Operating pressure	: 75% of the Scale Value
Over pressure limit	: 30% for Pressure Ranges up to 600 kg / cm ² 15% for Pressure Ranges above 600 kg / cm ²

Case	: POLYPROPYLENE (PP)
Ring	: POLYPROPYLENE (PP)
Bourdon	: AISI 31 6L SS
Socket	: AISI 31 6L SS
Movement	: AISI 304 SS
Joints	: Tig Argon Arc Welding

Protection	: IP 65
Dial	: Aluminium, black graduation on white background
Pointer	: Aluminium, black coloured, Micrometer zero adjustable
Window	: Sheet Glass
Blow off Disc	: Neoprene
Filling Plug	: Neoprene

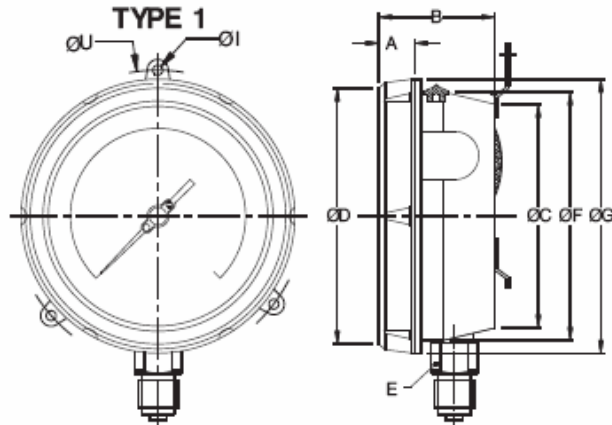
GLYCERINE FILLED VERSION (OPTION PY)

Accuracy	: ±1.0% of F.S.
Ambient Temperature	: Maximum 65°C
Process Temperature	: +15°C / 65° C
Window	: Plexi
Dampening Liquids	: Glycerine 98% (others available as option)
Other Features	: Refer Specification of Standard Version

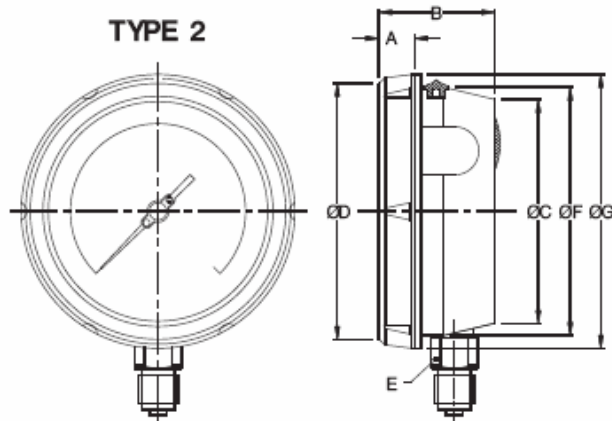
DRY BUT FILLABLE VERSION

Option Code	Fillable Dampening Liquid
FG	: Fillable Glycerine 98%
FS	: For Silicon Oil

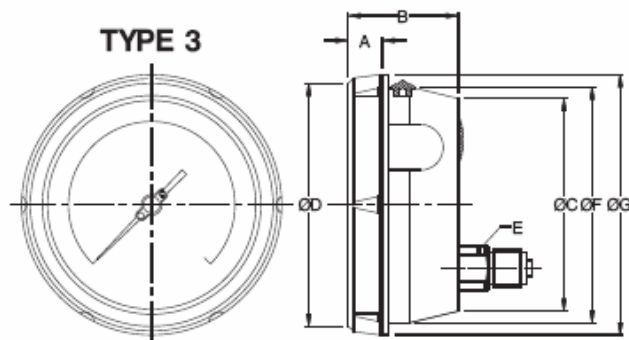
DIMENSIONS - STANDARD VERSION



NS	A	B	ØC	ØD	E	ØU	ØI	Weight in gram (With Box)
100	16	54	106	120	22	118	6	630
150	16	54	157	169	22	168	6	1000

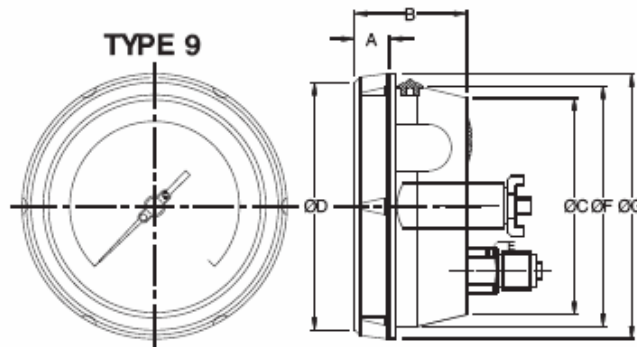


NS	A	B	ØC	ØD	E	ØF	ØG	Weight in gram (With Box)
100	16	54	106	120	22	116.5	129	600
150	16	54	157	169	22	167	179	960



NS	A	B	ØC	ØD	E	ØF	ØG	Weight in gram (With Box)
100	16	54	106	120	22	116.5	129	580
150	16	54	157	169	22	167	179	960

DIMENSIONS - STANDARD VERSION



NS	A	B	ØC	ØD	E	ØF	ØG	Weight in gram (With Box)
100	16	54	106	120	22	116.5	129	710
150	16	54	157	169	22	167	179	1100

Notes : • Drawings are not to scale. • All Dimensions are in mm.

RANGE TABLE

Note : Manufacturer offers National / International Scales like kPa, Mpa, bar, psi, kg/cm², mbar, mmWC, inWC & Dual Scale like kPa with psi, kPa with bar, bar with psi or Equivalent scales as per the requirement can be provided on request

Following are the example tables for kg/cm² & psi scales

PRESSURE

SINGLE SCALE (kg/cm ² or bar)				
RANGE	RANGE	RANGE	RANGE	RANGE
0/0.6	0/4	0/25	0/160	0/1000
0/1	0/6	0/40	0/250	0/1600
0/1.6	0/10	0/60	0/400	0/2100
0/2.5	0/16	0/100	0/600	0/2500

DUAL SCALE (PSI with kg/cm ²) or PSI with bar					
RANGE (PSI)	RANGE (kg/cm ²)	RANGE (PSI)	RANGE (kg/cm ²)	RANGE (PSI)	RANGE (kg/cm ²)
0/1.5	0/1	0/400	0/28	0/4000	0/280
0/30	0/2	0/500	0/35	0/5000	0/350
0/60	0/4	0/600	0/40	0/6000	0/400
0/100	0/7	0/1000	0/70	0/10000	0/700
0/150	0/10	0/1500	0/100	0/15000	0/1000
0/200	0/14	0/2000	0/140	0/20000	0/1400
0/300	0/20	0/3000	0/200	0/23000	0/1600

* Note: For ranges above 1600kg/cm², please consult factory.

VACUUM & COMPOUND

DUAL SCALE (inHg with PSI & mmHg with kg/cm ²)					
RANGE	RANGE	RANGE	RANGE	RANGE	RANGE
inHg with PSI	mmHg with kg/cm ²	inHg with PSI	mmHg with kg/cm ²	inHg with PSI	mmHg with kg/cm ²
- 30/0	- 760/0	- 30/60	- 760/3	- 30/200	- 760/15
- 30/15	- 760/1	- 30/100	- 760/6	- 30/300	- 760/20
- 30/30	- 760/2	- 30/150	- 760/9	- 30/350	- 760/24

SINGLE SCALE (kg/cm ²)			
RANGE	RANGE	RANGE	RANGE
- 1/0	- 1/1.5	- 1/5	- 1/15
- 1/0.6	- 1/3	- 1/9	- 1/24

HOW TO ORDER

BASIC MODEL

CODE	F	H
NOMINAL SIZE	100 mm	150 mm

TYPE OF MOUNTING

- 1 SURFACE/WALL/PROJECTION MOUNTING WITH BOTTOM ENTRY
- 2 DIRECT BOTTOM ENTRY
- 3 DIRECT LOWER BACK ENTRY
- 9 BACK ENTRY WITH MOUNTING BRACKET

GAUGE CONNECTION

2BM 1/4" BSP (M)	3NM 3/8" NPT (M)	4TM 1/2" BSPT (M)
3BM 3/8" BSP (M) STANDARD	4NM 1/2" NPT (M) STANDARD	2MM M 12 X 1 (M)
4BM 1/2" BSP (M) STANDARD	2TM 1/4" BSPT (M)	3MM M 16 X 1.5 (M)
2NM 1/4" NPT (M)	3TM 3/8" BSPT (M)	4MM M 20 X 1.5 (M)

Note : Connections like PT/PF/Flaired /UNF/G/R etc.can be provided on request
 Non standard connections can be provided through adaptors.

RANGE

REFER TABLES

OPTIONS

FOR NON STANDARD PRODUCTS/OPTIONAL ITEMS, PLEASE CONTACT FACTORY FOR DELIVERY AND MINIMUM QUANTITY OF ORDER.

OA ACCURACY ± 0.5% OF F.S. (EXCEPT WITH OPTION DAMPENING LIQUID)	TB HELIUM LEAK TEST
TI MONEL BOURDON & SOCKET (MONEL VERSION)	TF TESTED TO NACE STANDARDS
PW FIVE POINT FACTORY CALIBRATION CERTIFICATE	RH CUSTOM DESIGNED DIAL
FS FILLABLE LIQUID SILICON OIL*	PZ DAMPENING LIQUID MINERAL LIQUID FILLED
FG FILLABLE LIQUID GLYCERINE	PX DAMPENING LIQUID FLOUROLUBE FILLED
RW PLEXI GLASS	PY DAMPENING LIQUID GLYCERINE FILLED
RX SHATTERPROOF GLASS	QA DAMPENING LIQUID SILICON OIL FILLED*
RZ TOUGHENED GLASS	SA INTERNAL OVERPRESSURE STOP
SF MOVEMENT WITH DAMPENING JELLY	SB INTERNAL VACUUM STOP
SG OXYGEN SERVICE (WITHOUT OPTION DAMPENING LIQUID)	KA ON - OFF TYPE VENT PLUG
SJ MAXIMUM READING POINTER (WITHOUT OPTIONS : FILLED VERSION GAUGES)	SH FIXED POINTER
SX SS TAG PLATE	SL ZERO ADJUSTABLE POINTER
SW DIAL TAG MARKING	ZC FREON RANGE (WITH TEMPERATURE SCALE)
	ZD AMMONIA RANGE (WITH TEMPERATURE SCALE)
	QB DAMPENING SCREW IN AISI316

* GASKET, BOD & PLUG OF MTON / NBR

Ordering Example:

AC - F - 2 - 4NM - 0/10kg/cm² - PY

Note : • Due to continuous improvement, the specification may vary from time to time.

AC

F

2

4NM

0-10
kg/cm²

PY