

CAPSULE TYPE

AF

SPECIAL FEATURES

- STAINLESS STEEL CASE & RING
- MOST SUITABLE FOR AIR & GASEOUS APPLICATION MEASUREMENT FROM 25 mbar TO 600 mbar
- BOTTOM & BACK MOUNTING
- VACUUM & COMPOUND RANGES
- STANDARD FOLLOWED IN GENERAL EN 837-3

APPLICATIONS

FOOD & BEVERAGES, PHARMACEUTICAL, CONVENTIONAL & NUCLEAR POWER PLANTS, DRAFT MEASUREMENT

SPECIFICATIONS

STANDARD VERSION : 63mm, 100mm, 125 mm, 150mm

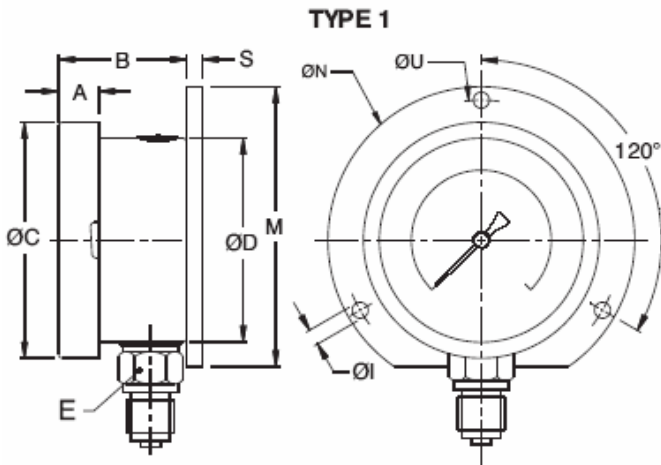


Accuracy	: ± 1.6% of F.S.
Ambient temperature	: - 25°C to + 65°C
Process temperature	: Max 150°C
Operating pressure	: 75 % of the Scale Value

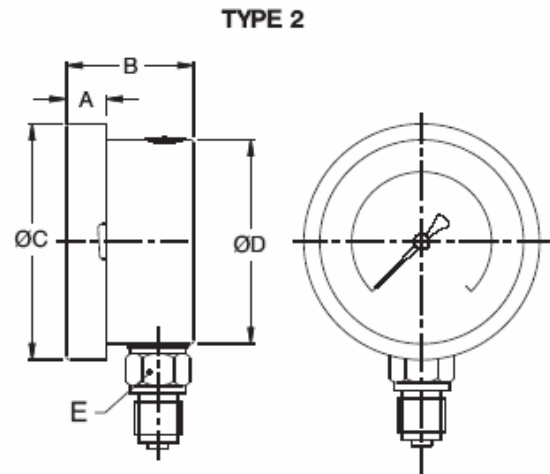
Case	: AISI 304 SS
Ring	: AISI 304 SS, Bayonet Type
Socket	: AISI 316L SS
Movement	: AISI 304 SS
Joints	: Tig Argon Arc Welding
Capsule	: AISI 316 SS (With Laser Welded)

Over Pressure	: 110% F.S.D.
Protection	: IP 55
Dial	: Aluminium, black graduation on white background with zero adjustment provision
Pointer	: Aluminium, black Coloured, Fixed
Window	: Sheet Glass
Gasket	: Neoprene

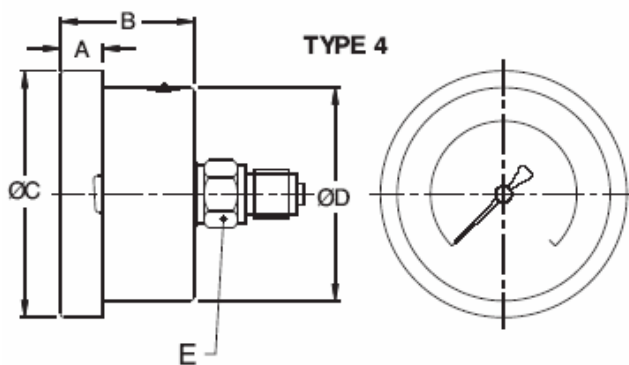
DIMENSIONS - STANDARD VERSION



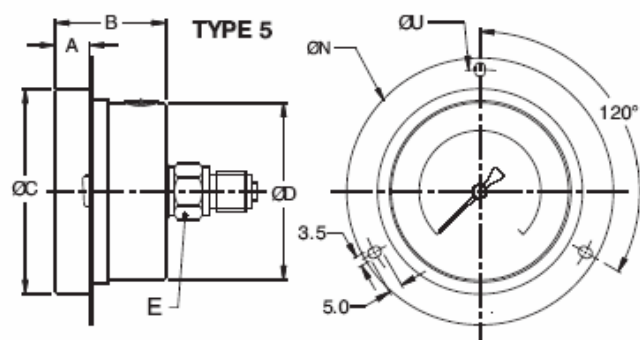
NS	A	B	ØC	ØD	E	S	ØN	ØI	ØU	M	Weight in gram (With Box)
63	12.5	46	77	66.5	A/F14	5	88	5	76	80	320.0



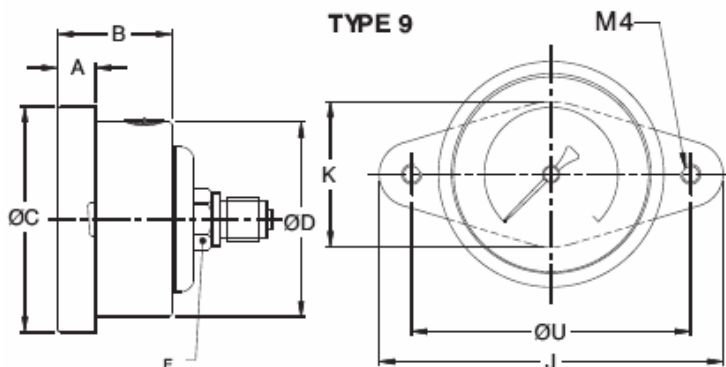
NS	A	B	ØC	ØD	E	Weight in gram (With Box)
63	12.5	46	77	66.5	A/F14	270.0



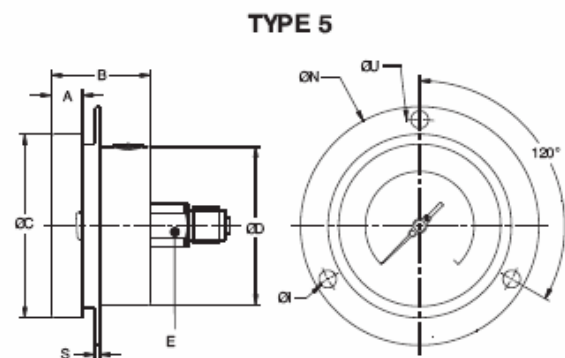
NS	A	B	ØC	ØD	E	Weight in gram (With Box)
63	12.5	46	77	66.5	A/F14	260.0



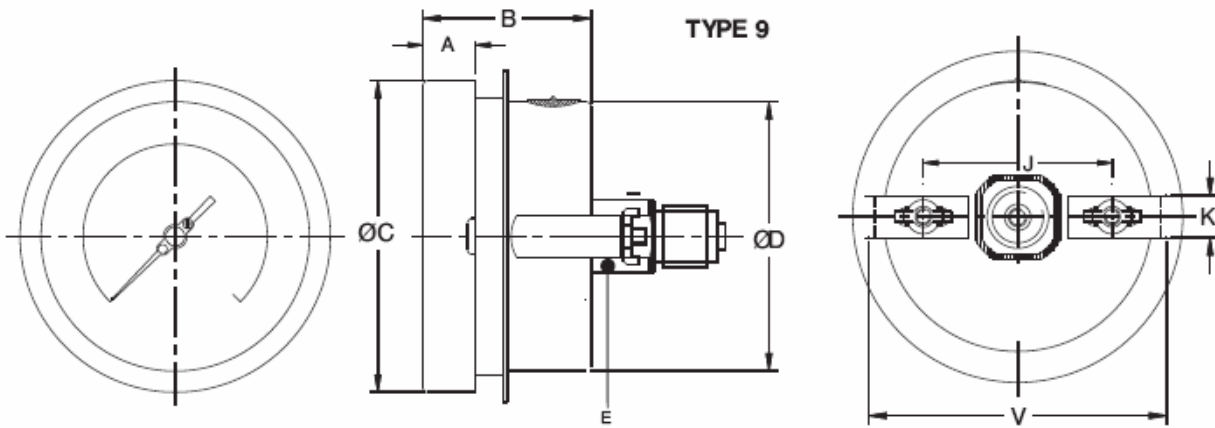
NS	A	B	ØC	ØD	E	ØN	ØU	Weight in gram (With Box)
63	12.5	46	77	66.5	A/F14	85.5	76	250.0



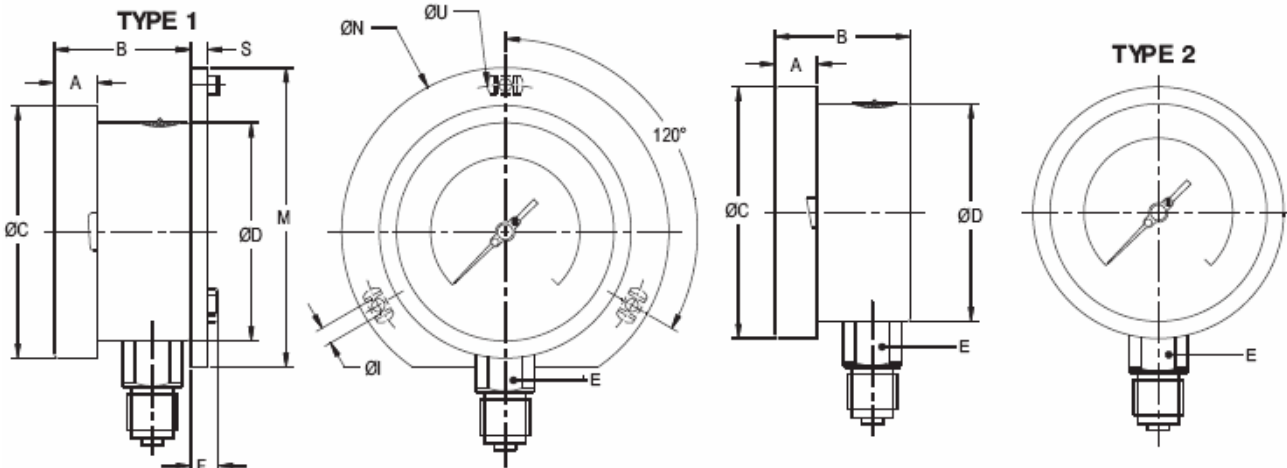
NS	A	B	ØC	ØD	E	J	K	ØU	Weight in gram (With Box)
63	12.5	46	77	66.5	A/F 14	91	38	70.5	320.0



NS	A	B	ØC	ØD	E	S	ØI	ØN	ØU	Weight in gram (With Box)
100	12.5	48	110	100	22	1	6	134	118	690
125	11	48	131	119	22	4	6	152	138	760.0
150	15	49	161	149	22	5	6	186	168	1100

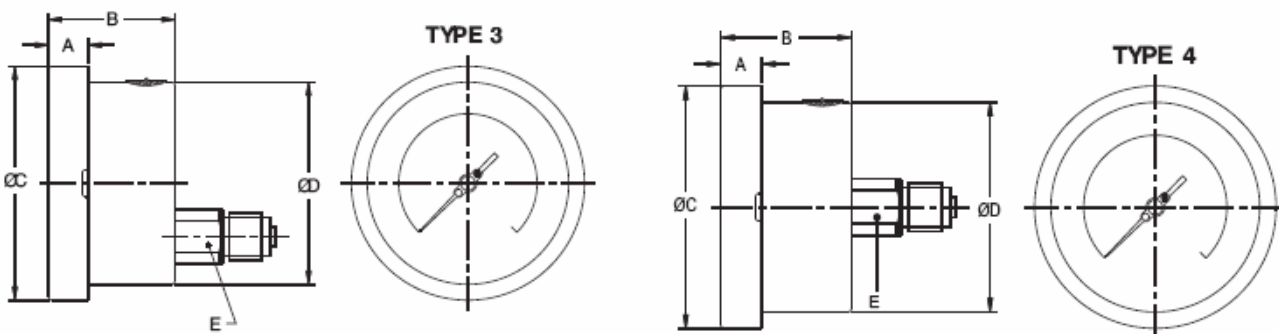


NS	A	B	ØC	ØD	E	J	K	V	Weight in gram (With Box)
100	12.5	48	110	100	22	66.5	16	106	730
125	11	48	131	119	22	80	16	129.5	825.0
150	15	49	161	149	22	103.5	16	158	1200



NS	A	B	ØC	ØD	E	M	S	F	ØI	ØN	ØU	Weight in gram (With Box)
100	12.5	48	110	100	22	128	6	14.5	6	134	118	690
125	11	48	131	119	22	-	4	15	6	152	138	760
150	15	49	161	149	22	177	5.5	15	6	186	168	1110

NS	A	B	ØC	ØD	E	Weight in gram (With Box)
100	12.5	48	110	100	22	605
125	11	48	131	119	22	670
150	15	49	161	149	22	1030



NS	A	B	ØC	ØD	E	Weight in gram (With Box)
100	12.5	48	110	100	22	605
125	11	48	131	119	22	665
150	15	49	161	149	22	1115

NS	A	B	ØC	ØD	E	Weight in gram (With Box)
100	12.5	48	110	100	22	605
125	11	48	131	119	22	665
150	15	49	161	149	22	1115

Notes : • Drawings are not to scale. • All Dimensions are in mm. • NS = Nominal Size.

RANGE TABLE

Note : Manufacturer offers National / International Scales like mbar, Pa, kPa, inWC, MWC, inHg, mmHg & Dual Scale or Equivalent scales as per the requirement can be provided on request. **Following are the example tables for mmWC scales**

PRESSURE RANGE

SINGLE SCALE - mmWC				
RANGE	RANGE	RANGE	RANGE	RANGE
0/250	0/600	0/1600	0/2500	0/6000
0/400	0/1000	0/2000	0/4000	

VACUUM & COMPOUND RANGE

SINGLE SCALE - mmWC				
RANGE	RANGE	RANGE	RANGE	RANGE
-250/0	-600/0	-1600/0	-2500/0	-6000/0
-400/0	-1000/0	-2000/0	-4000/0	
SINGLE SCALE - mmWC				
RANGE	RANGE	RANGE	RANGE	RANGE
-100/150	-200/400	-600/1000	-1000/1500	-2000/4000
-150/250	-400/600	-800/1200	-1500/2500	

HOW TO ORDER

BASIC MODEL

CODE	D	F	G	H
NOMINAL SIZE (mm)	63	100	125	150

TYPE OF MOUNTING

- 1 WALL / SURFACE / PROJECTION MOUNTING WITH BOTTOM ENTRY
- 2 DIRECT BOTTOM ENTRY
- 3 DIRECT LOWER BACK ENTRY (NOT FOR NS 63mm)
- 4 DIRECT CENTER BACK ENTRY
- 5 FLUSH PANEL BACK ENTRY WITH FRONT FLANGE
- 9 BACK ENTRY WITH MOUNTING BRACKET

GAUGE CONNECTION

2BM 1/4" BSP (M) STANDARD FOR NS 63 mm	2NM 1/4" NPT (M) STANDARD FOR NS 63 mm
3BM 3/8" BSP (M) STANDARD	3NM 3/8" NPT (M)
4BM 1/2" BSP (M) STANDARD FOR NS 100,125 & 150 mm	4NM 1/2" NPT (M)

Note : Connections like PT/PF/Flaired /UNF/G/R etc.can be provided on request.
Non standard connections can be provided through adaptors.

RANGE

REFER TABLES

OPTIONS

FOR NON STANDARD PRODUCTS/OPTIONAL ITEMS, PLEASE CONTACT FACTORY FOR DELIVERY AND MINIMUM QUANTITY OF ORDER.

PS AISI 316 CASE & BEZEL	RZ TOUGHENED GLASS
PW FIVE POINT CALIBRATION CERTIFICATE	SG OXYGEN SERVICE
QB INTEGRAL DAMPENING SCREW IN AISI 316 SS	SW DIAL TAG MARKING
RH CUSTOM DESIGNED DIAL	SX SS TAG PLATE
RW PLEXI GLASS	SU BRASS (CHROME PLATED) MOVEMENT
RX SHATTERPROOF / SAFETY GLASS	

Ordering Example:

AF - H - 2 - 4BM - 0/600mmWC - PW

Note : • Due to continuous improvement, the specification may vary from time to time.

AF

H

2

4BM

0-600
mmWC

PW