

BOURDON TYPE (100mm & 150mm)



AG

SPECIAL FEATURES

- COST EFFECTIVE
- DRY OR LIQUID FILLED
- STANDARD FOLLOWED IN GENERAL EN 837-1

APPLICATIONS

PNEUMATICS, HYDRAULICS, PUMPS, COMPRESSORS, DIESEL ENGINES.



SPECIFICATIONS

STANDARD VERSION : 100mm, 150mm

| | |
|---------------------|--------------------------|
| Accuracy | : ±1.6% of F. S. |
| Ambient temperature | : - 20°C to + 65°C |
| Process temperature | : Max. 125°C |
| Operating pressure | : 75% of the Scale Value |

| | |
|-------------|---|
| Case & Ring | : AISI 304 SS, Bayonet Type |
| Bourdon | : Copper Alloy upto 70kg/cm ² |
| | : AISI 316 SS for 100 to 1000 kg/cm ² |
| Socket | : Copper Alloy |
| Movement | : Copper Alloy |
| Joints | : Tin - Copper Brazing upto 70 kg/cm ² (above 70 kg/cm ² to 1000 kg/cm ² - Silver Alloy) |

| | |
|---------------|---|
| Protection | : IP 65 |
| Dial | : Aluminium, black graduation on white background |
| Pointer | : Aluminium, black coloured Fixed |
| Window | : Plexi Glass |
| Filling Plug | : Neoprene |
| Gasket | : Neoprene |
| Blow off Disc | : Neoprene |

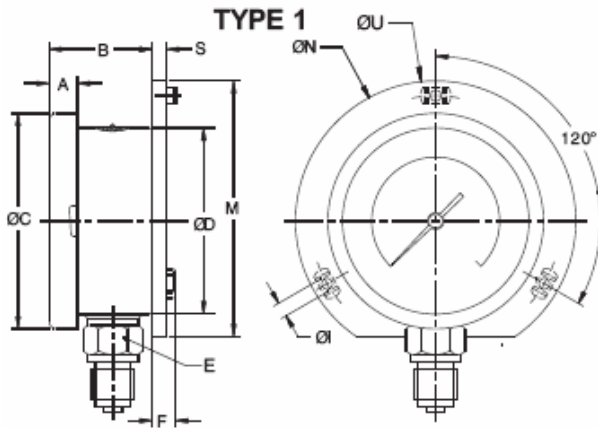
GLYCERINE FILLED VERSION (OPTION PY)

| | |
|---------------------|--|
| Accuracy | : ±1.6% of F.S. |
| Ambient Temperature | : Maximum 65°C |
| Process Temperature | : Maximum 65°C |
| Window | : Plexi Glass |
| Dampening Liquids | : Glycerine 98% (others available as option) |
| Other Features | : Refer Specification of Standard Version |

DRY BUT FILLABLE VERSION

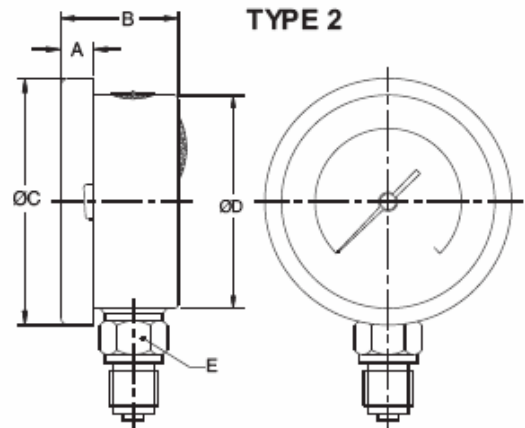
| Option Code | Fillable Dampening Liquid |
|-------------|---------------------------|
| FG | : Fillable Glycerine 98% |

DIMENSIONS - STANDARD VERSION



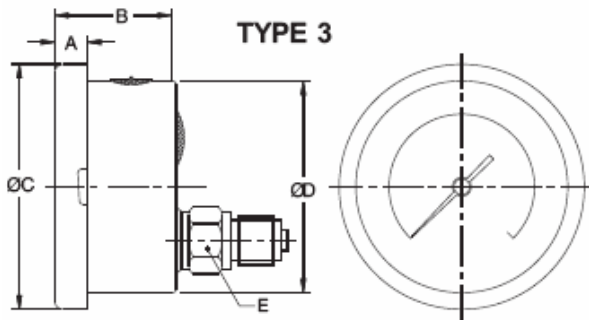
BAYONET TYPE

| NS | A | B | ØC | ØD | E | M | S | F | ØI | ØN | ØU | Weight in gram (With Box) |
|-----|------|----|-----|-----|----|-----|-----|------|----|-----|-----|---------------------------|
| 100 | 12.5 | 48 | 110 | 100 | 22 | 128 | 6 | 14.5 | 6 | 134 | 118 | 700.0 |
| 150 | 15 | 49 | 161 | 149 | 22 | 177 | 5.5 | 15 | 6 | 186 | 168 | 1140.0 |



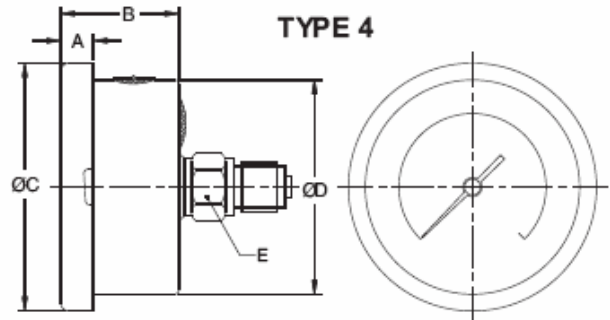
BAYONET TYPE

| NS | A | B | ØC | ØD | E | Weight in gram (With Box) |
|-----|------|----|-----|-----|----|---------------------------|
| 100 | 12.5 | 48 | 110 | 100 | 22 | 620.0 |
| 150 | 15 | 49 | 161 | 149 | 22 | 980.0 |



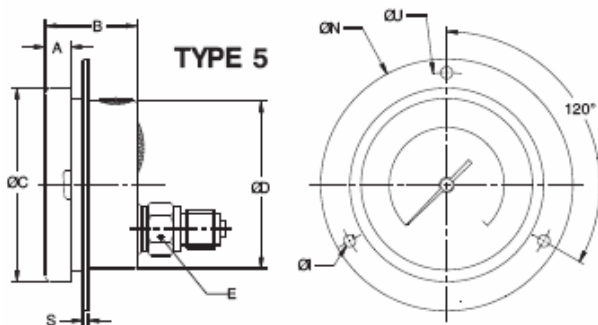
BAYONET TYPE

| NS | A | B | ØC | ØD | E | Weight in gram (With Box) |
|-----|------|----|-----|-----|----|---------------------------|
| 100 | 12.5 | 48 | 110 | 100 | 22 | 625.0 |
| 150 | 15 | 49 | 161 | 149 | 22 | 970.0 |



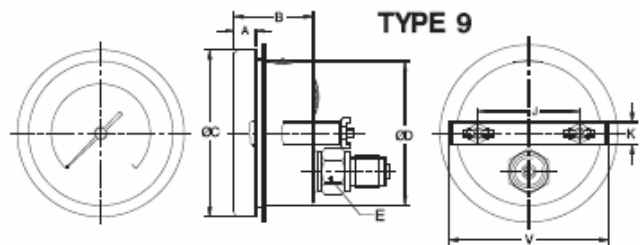
BAYONET TYPE

| NS | A | B | ØC | ØD | E | Weight in gram (With Box) |
|-----|------|----|-----|-----|----|---------------------------|
| 100 | 12.5 | 48 | 110 | 100 | 22 | 620.0 |
| 150 | 15 | 49 | 161 | 149 | 22 | 965.0 |



BAYONET TYPE

| NS | A | B | ØC | ØD | E | S | ØI | ØN | ØU | Weight in gram (With Box) |
|-----|------|----|-----|-----|----|---|----|-----|-----|---------------------------|
| 100 | 12.5 | 48 | 110 | 100 | 22 | 1 | 6 | 134 | 118 | 710.0 |
| 150 | 15 | 49 | 161 | 149 | 22 | 5 | 6 | 186 | 168 | 1160.0 |



BAYONET TYPE

| NS | A | B | ØC | ØD | E | J | K | V | Weight in gram (With Box) |
|-----|------|----|-----|-----|----|-------|----|-----|---------------------------|
| 100 | 12.5 | 48 | 110 | 100 | 22 | 66.5 | 16 | 106 | 750.0 |
| 150 | 15 | 49 | 161 | 149 | 22 | 103.5 | 16 | 158 | 1220.0 |

RANGE TABLE

Note : Manufacturer offers National / International Scales like kPa, Mpa, bar, psi, kg/cm², mbar, mmWC, inWC & Dual Scale like kPa with psi, kPa with bar, bar with psi or Equivalent scales as per the requirement can be provided on request

Following are the example tables for kg/cm² & psi scales

PRESSURE RANGE

| SINGLE SCALE | | | | | |
|--|-----------------------------|----------------|-----------------------------|----------------|-----------------------------|
| RANGE (kg/cm ²) | RANGE | RANGE | RANGE | RANGE | RANGE |
| 0/1 | 0/4 | 0/16 | 0/60 | 0/250 | 0/1000 |
| 0/1.6 | 0/6 | 0/25 | 0/100 | 0/400 | |
| 0/2.5 | 0/10 | 0/40 | 0/160 | 0/600 | |
| DUAL SCALE PSI with kg/cm ² | | | | | |
| RANGE (IN PSI) | RANGE (kg/cm ²) | RANGE (IN PSI) | RANGE (kg/cm ²) | RANGE (IN PSI) | RANGE (kg/cm ²) |
| 0/15 | 1 | 0/300 | 20 | 0/3000 | 210 |
| 0/30 | 2 | 0/400 | 28 | 0/4000 | 280 |
| 0/60 | 4 | 0/500 | 35 | 0/5000 | 350 |
| 0/100 | 7 | 0/600 | 40 | 0/6000 | 400 |
| 0/150 | 10 | 0/1000 | 70 | 0/10000 | 700 |
| 0/200 | 14 | 0/1500 | 100 | 0/15000 | 1000 |
| | | 0/2000 | 140 | | |

VACUUM & COMPOUND RANGE

| DUAL SCALE | | | | | |
|---------------------------------|---------------------------------------|------------------------|---------------------------------------|------------------------|---------------------------------------|
| Range inHg with PSI | Range mmHg with kg/cm ² | Range inHg with PSI | Range mmHg with kg/cm ² | Range inHg with PSI | Range mmHg with kg/cm ² |
| -30/0 | -760/0 | -30/60 | -760/3 | -30/200 | -760/15 |
| -30/15 | -760/1 | -30/100 | -760/6 | -30/300 | -760/20 |
| -30/30 | -760/2 | -30/150 | -760/9 | -30/350 | 760/24 |
| SINGLE SCALE kg/cm ² | | | | | |
| RANGE | RANGE | RANGE | RANGE | RANGE | RANGE |
| -1/0 | -1/1.5 | -1/5 | -1/15 | -1/15 | -1/15 |
| -1/0.6 | -1/3 | -1/9 | -1/24 | -1/24 | -1/24 |

FREON (WITH TEMPERATURE SCALE)

| DUAL SCALE (Inch Hg to PSI) | |
|-------------------------------|-------|
| RANGE | RANGE |
| -30/150 | 0-300 |
| -30/300 | 0-500 |

ACCESSORIES†

| | | |
|-------------------------|-----------------------|---------------------------|
| EB COOLING TOWER | * NEEDLE VALVE | DX DIAPHRAGM SEALS |
| EC GAUGE COCK | EG SNUBBER | |
| ED GAUGE SAVER | EH SIPHON | |

† Refer Datasheet for complete specifications

* Refer catalogue for valves and manifolds

HOW TO ORDER

BASIC MODEL

| CODE | F | H |
|--------------|-------|-------|
| NOMINAL SIZE | 100mm | 150mm |

AG

H

TYPE OF MOUNTING

- 1 WALL / SURFACE / PROJECTION MOUNTING WITH BOTTOM ENTRY
- 2 DIRECT BOTTOM ENTRY
- 3 DIRECT LOWER BACK ENTRY
- 4 DIRECT CENTRE BACK ENTRY
- 5 FLUSH PANEL BACK ENTRY WITH FRONT FLANGE
- 9 BACK ENTRY WITH MOUNTING BRACKET

2

GAUGE CONNECTION

| | | |
|---------------------------|---------------------------|-------------------|
| 2BM 1/4" BSP (M) | 3NM 3/8" NPT (M) | 4TM 1/2" BSPT (M) |
| 3BM 3/8" BSP (M) STANDARD | 4NM 1/2" NPT (M) STANDARD | |
| 4BM 1/2" BSP (M) STANDARD | 2TM 1/4" BSPT (M) | |
| 2NM 1/4" NPT (M) | 3TM 3/8" BSPT (M) | |

3BM

Note : Connections like PT/PF/Flaired /UNF/G/R etc.can be provided on request.
Non standard connections can be provided through adaptors.

RANGE

REFER TABLES

0-10
kg/cm²

OPTIONS

FOR NON STANDARD PRODUCTS/OPTIONAL ITEMS, PLEASE CONTACT FACTORY FOR DELIVERY AND MINIMUM QUANTITY OF ORDER.

- PW FIVE POINT CALIBRATION CERTIFICATE
- RH CUSTOM DESIGNED DIAL
- SG OXYGEN SERVICE (WITHOUT DAMPENING LIQUID)
- SX SS TAG PLATE
- PY DAMPENING LIQUID GLYCERINE FILLED
- FG FILLABLE LIQUID GLYCERINE
- SK MICROMETER '0' ADJUSTMENT POINTER
- ZC FREON RANGE (WITH TEMPERATURE SCALE)
- SL ZERO ADJUSTABLE POINTER
- QB INTEGRAL DAMPENING SCREW (BRASS)

PY

Ordering Example:

AG - H - 2 - 3BM - 0/10kg/cm² - PY

Note : ● Due to continuous improvement, the specification may vary from time to time.