

SOLID FRONT

AH

SPECIAL FEATURES

- POLYPROPYLENE CASE WITH SS MEASURING SYSTEM
- WETTED PARTS AISI 316L STAINLESS STEEL
- ACCURACY AS PER ANSI B40.1 GRADE 2A UP TO 0.5%
- SOLID FRONT DESIGN FEATURES BAFFLE WALL INTERPOSED BETWEEN THE SENSING SYSTEM, THE WINDOW AND A PRESSURE RELIEVING BACK FOR INCREASED SAFETY
- STANDARD FOLLOWED ANSI/ASME - B 40.1 IN GENERAL



APPLICATIONS

USED IN CHEMICALS / REFINERY / FERTILIZER / PETROCHEMICALS / PHARMACEUTICAL / POWER / CEMENT / OIL / SUGAR / FOOD & BEVERAGES / PULP & PAPER & ALLIED PROCESS INDUSTRIES. FOR FLUID & GASEOUS MEDIA WHICH ARE NOT HIGHLY VISCOUS.

SPECIFICATIONS

STANDARD VERSION : 115 mm (4½")

Accuracy	: ± 0.5% As per ANSI B40.1
Ambient temperature	: - 20°C to + 65°C
Process temperature	: Max 200°C
Operating pressure	: 75 % of the Scale Value
Over pressure limit	: 30 % for Pressure Ranges up to 600kg / cm ² 15 % for Pressure Ranges above 600kg / cm ²
Case	: Fibre Glass reinforced Polypropylene
Ring	: Fibre Glass reinforced Polypropylene
Bourdon	: AISI 316L SS
Socket	: AISI 316L SS
Movement	: AISI 304 SS
Joints	: Tig Argon Arc Welding
Protection	: IP 55
Dial	: Aluminium, black graduation on white background
Pointer	: Aluminium, black Coloured, Micrometer Zero Adjustable
Window	: Shatterproof/ Safety Glass
Blow off Disc	: AISI 304 SS
Gasket	: Neoprene

GLYCERINE FILLED VERSION (OPTION PY)

Accuracy	: ± 1.0% of F.S.
Ambient Temperature	: Maximum 65°C
Process Temperature	: + 65°C
Blow off Disc	: AISI 304 SS
Dampening Liquids	: Glycerine 98% (Others available as Option)
Other Features	: Refer Specification of Standard Version

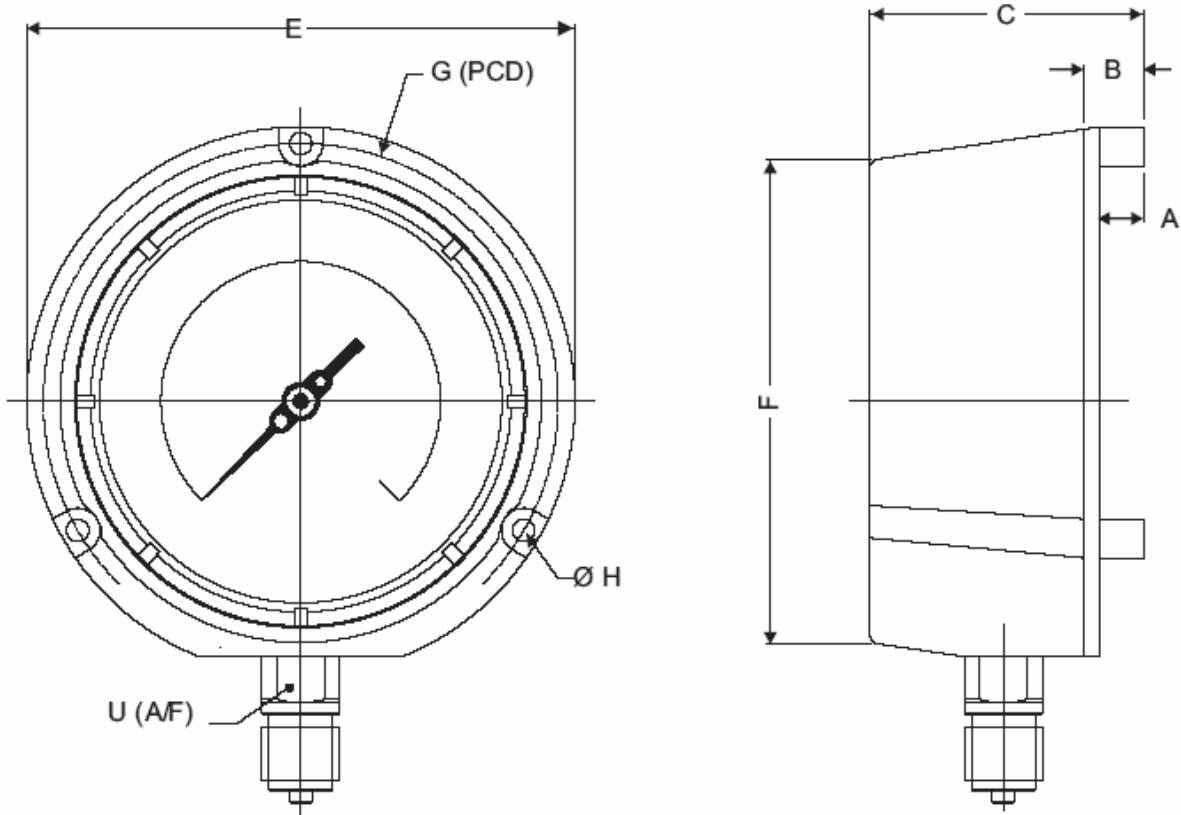
DRY BUT FILLABLE VERSION

Option Code	: Fillable Dampening Liquid
FG	: For Glycerine 98%
FS	: For Silicon Oil

Polypropylene Pressure Gauge (4.5")

DATA SHEET 2 of 4

TYPE 1 & 2



NS	A	B	C	E	F	G	H	U	Weight in gram (with BOX)
115	12	16	73	148	129	137.5	6	22	933 gm

(*WEIGHTS MENTIONED ARE FOR STANDARD VERSION.)

Notes: • Drawings are not to scale. • All Dimensions are in mm. • NS = Nominal Size
• H - Arrangement for Mounting type 1

RANGE TABLE

Note : Manufacturer offers National / International Scales like kPa,Mpa,bar,psi,kg/cm² & Dual Scale like kPa with psi, kPa with bar, bar with psi or Equivalent scales as per the requirement can be provided on request

Following are the example tables for kg/cm² & psi scales

PRESSURE RANGE

SINGLE SCALE					
RANGE (kg/cm ² or bar)	RANGE	RANGE	RANGE	RANGE	RANGE
0/0.6	0/4	0/25	0/160	0/1000	
0/1	0/6	0/40	0/250	0/1400	
0/1.6	0/10	0/60	0/400	0/1600	
0/2.5	0/16	0/100	0/600		
DUAL SCALE (PSI with kg/cm ²) or PSI with bar					
RANGE (PSI)	RANGE (kg/cm ²)	RANGE (PSI)	RANGE (kg/cm ²)	RANGE (PSI)	RANGE (kg/cm ²)
0/15	1	0/400	28	0/4000	280
0/30	2	0/500	35	0/5000	350
0/60	4	0/600	40	0/6000	400
0/100	7	0/1000	70	0/10000	700
0/150	10	0/1500	100	0/15000	1000
0/200	14	0/2000	140	0/20000	1400
0/300	21	0/3000	210	0/23000	1600

VACUUM & COMPOUND RANGE

DUAL SCALE					
Range	Range	Range	Range	Range	Range
inHg with PSI	mmHg with kg/cm ²	inHg with PSI	mmHg with kg/cm ²	inHg with PSI	mmHg with kg/cm ²
- 30/0	- 760 / 0	- 30/60	- 760 / 3	- 30/200	- 760 / 15
- 30/15	- 760 / 1	- 30/100	- 760 / 6	- 30/300	- 760 / 20
- 30/30	- 760 / 2	- 30/150	- 760 / 9	- 30/350	- 760 / 24
SINGLE SCALE (kg/cm ²)					
RANGE	RANGE	RANGE	RANGE	RANGE	RANGE
- 1/0	- 1/1.5	- 1/5	- 1/15	- 1/15	- 1/24
- 1/0.6	- 1/3	- 1/9			

ACCESSORIES †

EB COOLING TOWER	* NEEDLE VALVE	DX DIAPHRAGM SEAL
EC GAUGE COCK	EG SNUBBER	
ED GAUGE SAVER	EH SIPHON	

† Refer Datasheet for complete specifications * Refer catalogue for Valves & Manifolds

HOW TO ORDER

BASIC MODEL

CODE	G
NOMINAL SIZE (mm)	115

AH

G

TYPE OF MOUNTING

1	WALL / SURFACE / PROJECTION MOUNTING WITH BOTTOM ENTRY
2	DIRECT BOTTOM ENTRY

2

GAUGE CONNECTION

2BM	1/4" BSP (M)	2TM	1/4" BSPT (M)
2NM	1/4" NPT (M)	3NM	3/8" NPT (M)
3BM	3/8" BSP (M)	3TM	3/8" BSPT (M)
4BM	1/2" BSP (M) STANDARD	4TM	1/2" BSPT (M)
4NM	1/2" NPT (M) STANDARD		

4NM

ADAPTORS CAN BE PROVIDED FOR NON STD. FLARED & FEMALE CONNECTIONS

Note : Connections like PT/PF/Flaired /UNF/G/R etc.can be provided on request.
Non standard connections can be provided through adaptors.

RANGE

REFER TABLES

0-10
kg/cm²

OPTIONS

FOR NON STANDARD PRODUCTS/OPTIONAL ITEMS, PLEASE CONTACT FACTORY FOR DELIVERY AND MINIMUM QUANTITY OF ORDER.

ST	FIBRE GLASS REINFORCED POLYPROPYLENE BOD	RX	SHATTERPROOF / SAFETY GLASS(3 mm thk)
OB	ACCURACY 1.0% OF F.S.	TF	TESTED TO NACE STANDARDS
TI	MONEL BOURDON & MONEL SOCKET(MONEL VERSION)	FS	FILLABLE LIQUID SILICON OIL*
PW	FIVE POINT CALIBRATION CERTIFICATE	FG	FILLABLE LIQUID GLYCERINE
RH	CUSTOM DESIGNED DIAL	SF	MOVEMENT WITH DAMPENING JELLY
RW	PLEXI GLASS(3 mm thk)	QB	INTEGRAL DAMPENING SCREW IN AISI 316 SS
SG	OXYGEN SERVICE (WITHOUT DAMPENING LIQUIDS)	PZ	DAMPENING LIQUID MINERAL LIQUID FILLED
SI	KNIFE EDGE POINTER	PX	DAMPENING LIQUID FLOUROLUBE FILLED
SW	DIAL TAG MARKING	PY	DAMPENING LIQUID GLYCERINE FILLED
SX	SS TAG PLATE	QA	DAMPENING LIQUID SILICON OIL FILLED*
TB	HELIUM LEAK TEST	RQ	ENCLOSURE PROTECTION IP 65
	* GASKET, BOD & PLUG OF VITON/NBR	RR	ENCLOSURE PROTECTION IP 66
		RT	PHENOLIC CASE

PY

Ordering Example:

AH - G - 2 - 4NM - 0/10kg/cm² - PY

Note : ● Due to continuous improvement, the specification may vary from time to time.