

SOLID FRONT

AI

SPECIAL FEATURES

- STAINLESS STEEL CASE & MEASURING SYSTEM
- SOLID FRONT DESIGN FEATURES BAFFLE WALL INTERPOSED BETWEEN THE SENSING SYSTEM & THE WINDOW, AND A PRESSURE RELIEVING BACK FOR INCREASED SAFETY.
- SOCKET & CASE WELDED
- DRY OR LIQUID FILLED.
- ACCURACY UP TO 0.5%
- STAINLESS STEEL BLOW OFF BACK
- STANDARD FOLLOWED IN GENERAL EN - 837-1



APPLICATIONS

OIL & GAS CHEMICALS / REFINERY / FERTILIZER / PETROCHEMICALS / PHARMACEUTICAL / POWER / CEMENT / SUGAR / FOOD & BEVERAGES / PULP & PAPER & ALLIED PROCESS INDUSTRIES. FOR FLUID & GASEOUS MEDIA.

SPECIFICATIONS

STANDARD VERSION : 100mm, 150mm

Accuracy	: $\pm 1.0\%$ of F.S.
Ambient temperature	: -20°C to $+65^{\circ}\text{C}$
Process temperature	: Max 300°C
Operating pressure	: 75 % of the Scale Value
Over pressure limit	: 30 % for Pressure Ranges upto $600\text{kg} / \text{cm}^2$ 15 % for Pressure Ranges above $600\text{kg} / \text{cm}^2$
Case	: AISI 304 SS
Ring	: AISI 304 SS, Bayonet Lock
Bourdon	: AISI 316L SS
Socket	: AISI 316L SS
Movement	: AISI 304 SS
Joints	: Tig Argon Arc Welding
Protection	: IP 65
Dial	: Aluminium, black graduation on white background
Pointer	: Aluminium, black Coloured Micrometer Zero Adjustable
Window	: Shatterproof/Safety Glass
Blow off Disc	: AISI 304 SS
Gasket	: Neoprene

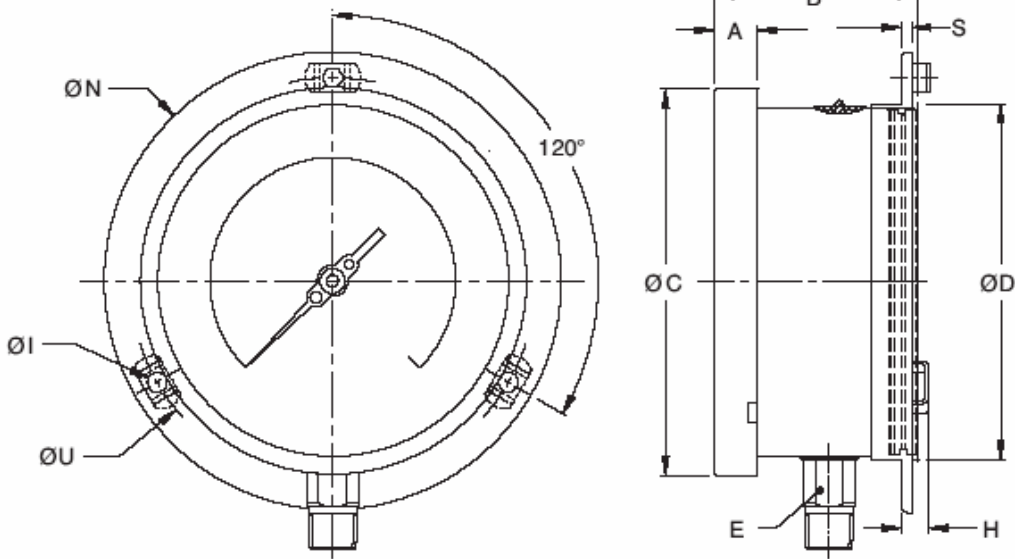
GLYCERINE FILLED VERSION (OPTION PY)

Accuracy	: $\pm 1.0\%$ of F.S.
Ambient Temperature	: Maximum 65°C
Protection	: IP 65
Window	: Shatterproof/Safety Glass
Dampening Liquids	: Glycerine 98% (Others available as Option)
Other Features	: Refer Specification of Standard Version

DRY BUT FILLABLE VERSION

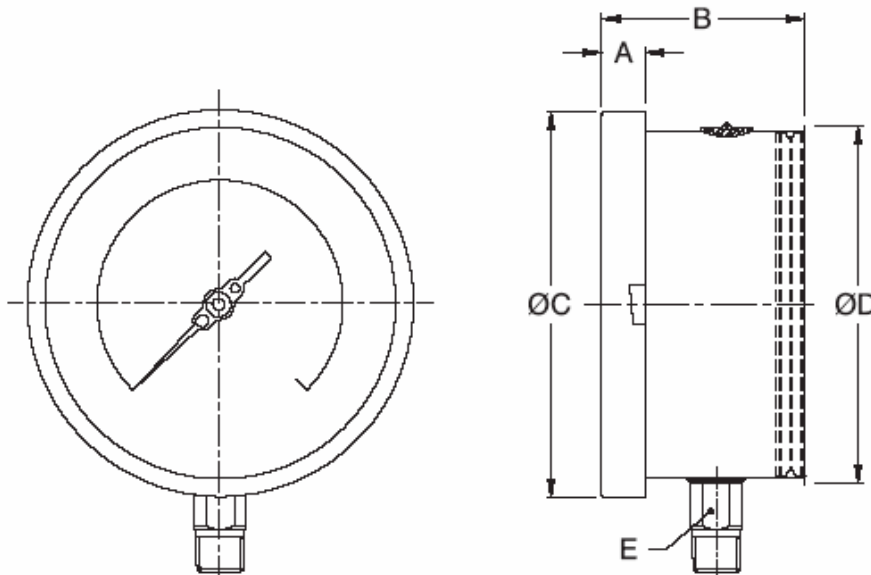
Option Code	: Fillable Dampening Liquid
FG	: Fillable Glycerine 98%
FS	: For Silicon Oil

TYPE 1



NS	A	B	ØC	ØD	E	ØN	ØU	H	ØI	S	Weight in gram (With Box)
100	12.5	64	110	100	22	134	118	15	6	1	812.5
150	15	66	161	149	22	196	178	15	6	5	1376.0

TYPE 2



NS	A	B	ØC	ØD	E	Weight in gram (With Box)
100	12.5	64	110	100	22	716.5
150	15	66	161	149	22	1220.0

Notes: • Drawings are not to scale. • All Dimensions are in mm. • NS = Nominal Size

RANGE TABLE

Note : Manufacturer offers National / International Scales like kPa,Mpa,bar,psi,kg/cm² & Dual Scale like kPa with psi, kPa with bar, bar with psi or Equivalent scales as per the requirement can be provided on request

Following are the example tables for kg/cm² & psi scales

PRESSURE RANGE

SINGLE SCALE (kg/cm ² or bar)					
RANGE	RANGE	RANGE	RANGE	RANGE	RANGE
0/0.6	0/4	0/25	0/160	0/1 000	
0/1	0/6	0/40	0/250	0/1 400	
0/1.6	0/10	0/60	0/400	0/1 600	
0/2.5	0/16	0/100	0/600		
DUAL SCALE (PSI with kg/cm ²) or PSI with bar					
RANGE (PSI)	RANGE (kg/cm ²)	RANGE (PSI)	RANGE (kg/cm ²)	RANGE (PSI)	RANGE (kg/cm ²)
0/15	1	0/400	28	0/4000	280
0/30	2	0/500	35	0/5000	350
0/60	4	0/600	40	0/6000	400
0/100	7	0/1 000	70	0/10000	700
0/150	10	0/1 500	100	0/15000	1000
0/200	14	0/2000	140	0/20000	1400
0/300	21	0/3000	200	0/23000	1600

* Note: For ranges above 1600kg/cm², please consult factory.

VACUUM & COMPOUND RANGE

DUAL SCALE					
Range	Range	Range	Range	Range	Range
inHg with PSI	mmHg with kg/cm ²	inHg with PSI	mmHg with kg/cm ²	inHg with PSI	mmHg with kg/cm ²
- 30/0	- 760 / 0	- 30/60	- 760 / 3	- 30/200	- 760 / 15
- 30/15	- 760 / 1	- 30/100	- 760 / 6	- 30/300	- 760 / 20
- 30/30	- 760 / 2	- 30/150	- 760 / 9	- 30/350	- 760 / 24
SINGLE SCALE (kg/cm ²)					
RANGE	RANGE	RANGE	RANGE	RANGE	RANGE
- 1/0	- 1/1.5	- 1/5	- 1/15	- 1/15	- 1/15
- 1/0.6	- 1/3	- 1/9	- 1/24	- 1/24	- 1/24

ACCESSORIES †

EB	COOLING TOWER	*	NEEDLE VALVE	DX	DIAPHRAGM SEAL
EC	GAUGE COCK	EG	SNUBBER		
ED	GAUGE SAVER	EH	SIPHON		

† Refer Datasheet for complete specifications * Refer catalogue for Valves & Manifolds

HOW TO ORDER

BASIC MODEL

AI

CODE

F

H

H

NOMINAL SIZE (mm)

100mm

150mm

TYPE OF MOUNTING

2

- 1 WALL/ SURFACE / PROJECTION MOUNTING WITH BOTTOM ENTRY
- 2 DIRECT BOTTOM ENTRY

GAUGE CONNECTION

4NM

- | | | | |
|-----|-----------------------|-----|--------------|
| 3BM | 3/8" BSP (M) | 2NM | 1/4" NPT (M) |
| 4BM | 1/2" BSP (M) | | |
| 4NM | 1/2" NPT (M) STANDARD | | |

Note : Connections like PT/PF/Flaired /UNF/G/R etc.can be provided on request.
Non standard connections can be provided through adaptors.

RANGE

0-10
kg/cm²

REFER TABLES

OPTIONS

PY

FOR NON STANDARD PRODUCTS/OPTIONAL ITEMS, PLEASE CONTACT FACTORY FOR DELIVERY AND MINIMUM QUANTITY OF ORDER.

- | | |
|--|---|
| OA ACCURACY 0.5% OF F.S.
(WITHOUT OPTION DAMPENING LIQUID) | TB HELIUM LEAK TEST |
| TI MONEL BOURDON & SOCKET (MONEL VERSION) | TF TESTED TO NACE STANDARDS |
| PS AISI 316 SS CASE & BEZEL | FS FILLABLE LIQUID SILICON OIL* |
| PW FIVE POINT CALIBRATION CERTIFICATE | FG FILLABLE LIQUID GLYCERINE |
| RH CUSTOM DESIGNED DIAL | QB INTEGRAL DAMPENING SCREW IN AISI 316 SS |
| RZ TOUGHENED GLASS | PZ DAMPENING LIQUID MINERAL LIQUID FILLED |
| SG OXYGEN SERVICES (WITHOUT OPTION DAMPENING LIQUID) | PX DAMPENING LIQUID FLOUROLUBE FILLED |
| SI KNIFE EDGE POINTER | PY DAMPENING LIQUID GLYCERINE FILLED |
| SW DIAL TAG MARKING | QA DAMPENING LIQUID SILICON OIL FILLED* |
| SX SS TAG PLATE | SF MOVEMENT WITH DAMPENING JELLY |
| SJ MAXIMUM READING POINTER (MRP) | |

* GASKET, BOD & PLUG OF VITON /NBR

Ordering Example:

AI - H - 2 - 4NM - 0/10kg/cm² - PY

Note : • Due to continuous improvement, the specification may vary from time to time.