

SOLID FRONT

AJ

SPECIAL FEATURES

- STAINLESS STEEL CASE & HIGH PRECISION MEASURING SYSTEM
- ANTI PARALLAX MIRROR
- SOLID FRONT DESIGN FEATURES BAFFLE WALL INTERPOSED BETWEEN THE SENSING SYSTEM & THE WINDOW, AND A PRESSURE RELIEVING BACK FOR INCREASED SAFETY.
- EYE FRIENDLY GREEN DIAL
- STANDARD FOLLOWED IN GENERAL EN 837-1

APPLICATIONS

CALIBRATION LABORATORY & PRECISION READING



SPECIFICATIONS

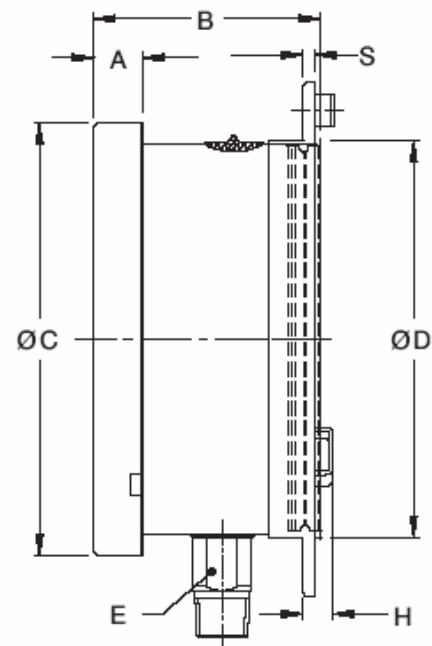
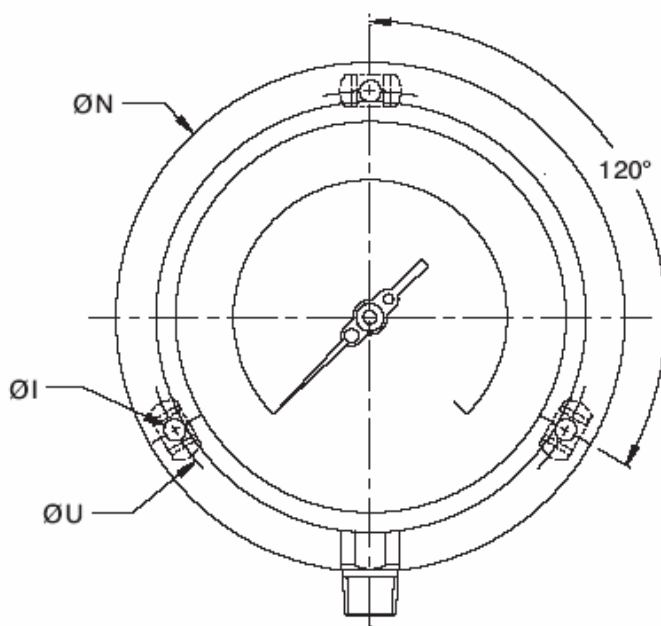
STANDARD VERSION : 150mm

Accuracy	:	$\pm 0.25\%$ of F.S.
Ambient temperature	:	Upto 65°C
Process temperature	:	Max 65°C
Calibration temperature	:	+22°C
Operating pressure	:	75 % of the Scale value
Over pressure limit	:	Referred to full Scale Value

Case	:	AISI 304 Solid front case
Ring	:	AISI 304 SS (Bayonet Type)
Bourdon	:	Beryllium Copper
Socket	:	AISI 316L SS
Blow off Disc	:	AISI 304 SS
Movement	:	Brass High Precision Jewel Bearing Type
Welding	:	Alloy Brazing

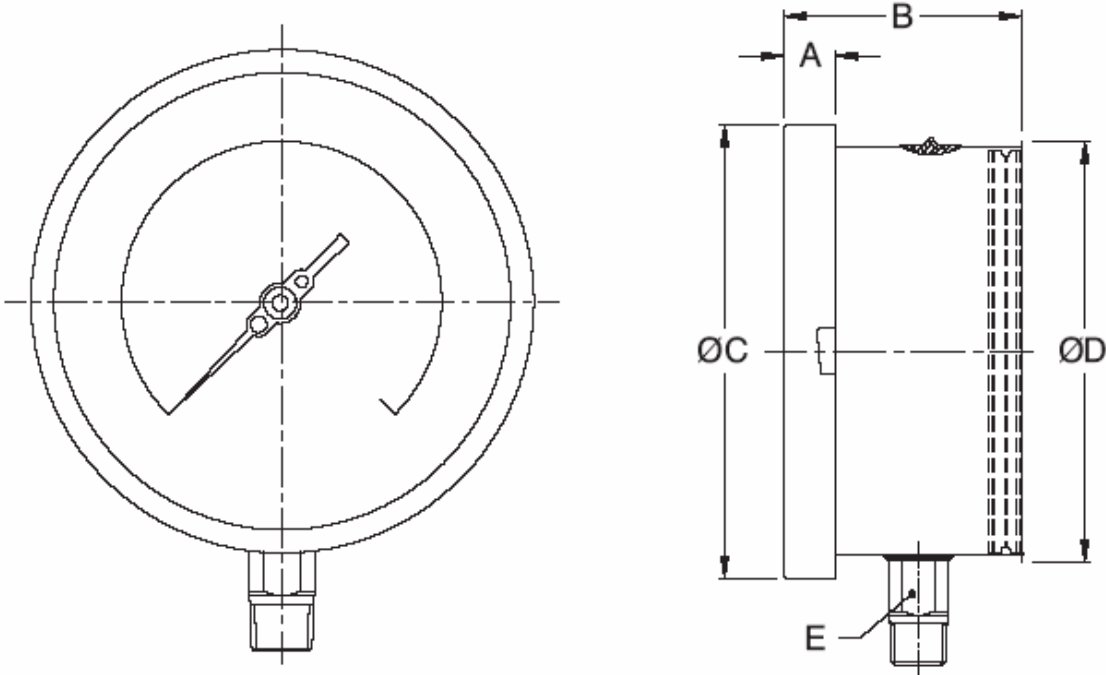
Protection	:	IP 55
Dial	:	Aluminium, Green with Black Marking & Anti parallax Mirror Band
Pointer	:	Balanced, Knife - Edge Micrometer Adjustable
Pointer Stopper	:	Spring Type
Window	:	Shatterproof/Safety Glass
Gasket	:	Neoprene
Carrying Case	:	Wooden carrying case
Calibration certificate	:	5 Point traceable calibration certificate

TYPE 1



NS	A	B	ØC	ØD	E	ØN	ØU	H	ØI	S	Weight in gram (With Wooden Box)
150	15	66	161	149	22	196	178	15	6	5	2176.0

TYPE 2



NS	A	B	ØC	ØD	E	Weight in gram (With Wooden Box)
150	15	66	161	149	22	2020.0

Notes : • Drawings are not to scale. • All Dimensions are in mm. • NS = Nominal Size

RANGE TABLE

Note : Single scale available in kg/cm², psi, bar, kPa, MPa, mmHg etc.

Following are the example tables for kg/cm² scales

PRESSURE RANGE

SINGLE SCALE	RANGE (kg/cm ²)	RANGE (kg/cm ²)	RANGE (kg/cm ²)	RANGE (kg/cm ²)	RANGE (kg/cm ²)
	-1/0	0/4	0/25	0/160	
	0/0.6	0/6	0/40	0/250	0/1 000
	0/1	0/10	0/60	0/400	
	0/1.6	0/16	0/100	0/600	
	0/2.5				

HOW TO ORDER

BASIC MODEL

CODE

H

AJ

NOMINAL SIZE (mm)

150

H

TYPE OF MOUNTING

- 1 WALL/ SURFACE/ PROJECTION WITH BOTTOM ENTRY
- 2 DIRECT BOTTOM ENTRY

2

GAUGE CONNECTION

- | | | | |
|-----|-------------------------|-----|--------------|
| 3BM | 3/8" BSP (M) | 2BM | 1/4" BSP (M) |
| 4BM | 1/2" BSP (M) (STANDARD) | 2NM | 1/4" NPT (M) |
| 4NM | 1/2" NPT (M) (STANDARD) | | |

4NM

RANGE

REFER TABLES

0-10
kg/cm²

OPTIONS

FOR NON STANDARD PRODUCTS/OPTIONAL ITEMS, PLEASE CONTACT FACTORY FOR DELIVERY AND MINIMUM QUANTITY OF ORDER.

- | | |
|----|----------------------|
| RH | CUSTOM DESIGNED DIAL |
| SG | OXYGEN SERVICE |
| SW | DIAL TAG MARKING |
| SX | SS TAG PLATE |

SG

Ordering Example:

AJ - H - 2 - 4NM - 0/10kg/cm² - SG

Note : ● Due to continuous improvement, the specification may vary from time to time.