

## BOURDON TYPE



### SPECIAL FEATURES

- ALL STAINLESS STEEL
- ACCURACY UPTO 0.5%
- SUITABLE FOR DISTANT READING

### APPLICATIONS

BOILERS, FOOD & BEVERAGE, PHARMACEUTICAL, CRYOGENICS, CHEMICAL & PETROCHEMICAL INDUSTRIES, CONVENTIONAL & NUCLEAR POWER PLANTS. PUMPS, HYDRO-CLEANING MACHINES PRESSES, ENGINE COMPRESSORS, TURBINES, DIESEL ENGINES & REFRIGERATION PLANTS,

### SPECIFICATIONS

**STANDARD VERSION : 200mm, 250mm**



Accuracy	: ±1.0% of F.S.
Ambient temperature	: - 20°C to + 60°C
Process temperature	: Max 300°C
Operating pressure	: 75 % of the Scale Value
Over pressure limit	: 30 % for Pressure Ranges upto 600kg / cm <sup>2</sup> 15 % for Pressure Ranges above 600kg / cm <sup>2</sup>
Protection	: IP 65
Case	: AISI 304 SS
Ring	: AISI 304 SS, Bayonet Type
Bourdon	: AISI 316L SS
Socket	: AISI 316L SS
Movement	: AISI 304 SS
Joints	: Tig Argon Arc Welding
Dial	: Aluminium, black graduation on white background
Pointer	: Aluminium, black Coloured Micrometer "O" Adjustable
Window	: Sheet Glass
Blow off Disc	: Neoprene
Gasket	: Neoprene

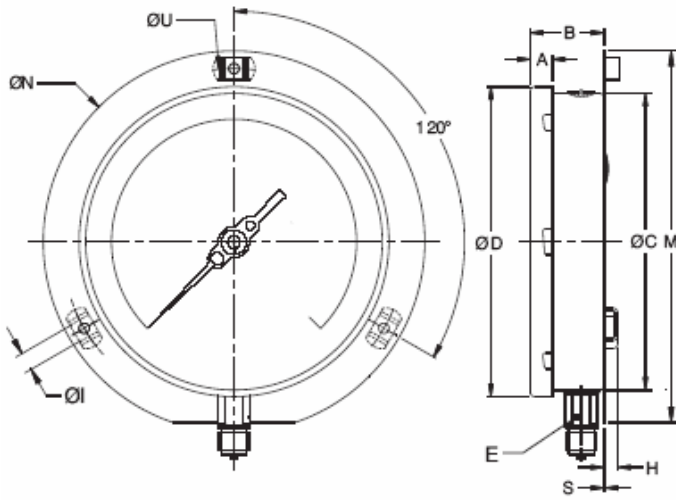
### GLYCERINE FILLED VERSION (OPTION P Y)

Accuracy	: ± 1.0% of F.S.
Ambient Temperature	: Maximum 65°C
Process Temperature	: + 65°C
Blow off Disc	: Neoprene
Dampening Liquids	: Glycerine 98% (Others available as Option)
Other Features	: Refer Specification of Standard Version

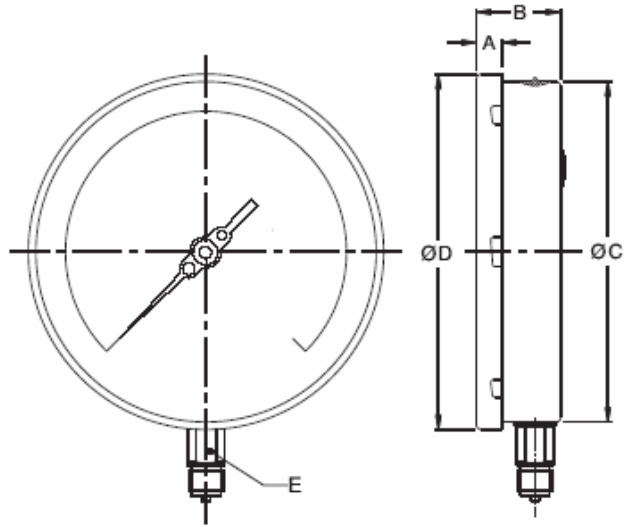
### DRY BUT FILLABLE VERSION

<b>Option Code</b>	: <b>Fillable Dampening Liquid</b>
FG	: Fillable Glycerine 98%
FS	: For Silicon Oil

**TYPE 1**



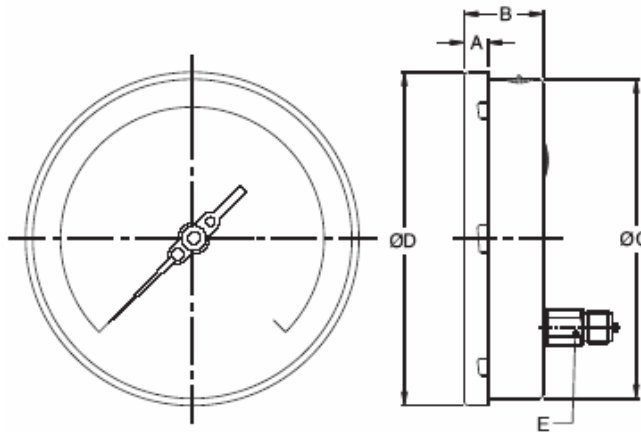
**TYPE 2**



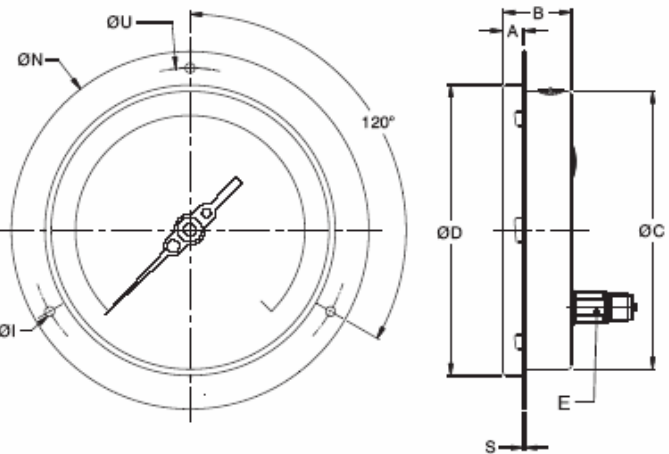
NS	A	B	ØC	ØD	E	M	ØN	ØU	H	ØI	S	Weight in gram (With Box)
200	15	49	201.5	210.5	22	-	245	230	15	7	1.5	1750.0
250	15	50.5	249	263	22	286.5	290	276	15	7	1.5	2720.0

NS	A	B	ØC	ØD	E	Weight in gram (With Box)
200	15	49	201.5	210.5	22	1550.0
250	15	50.5	249	263	22	2220.0

**TYPE 3**



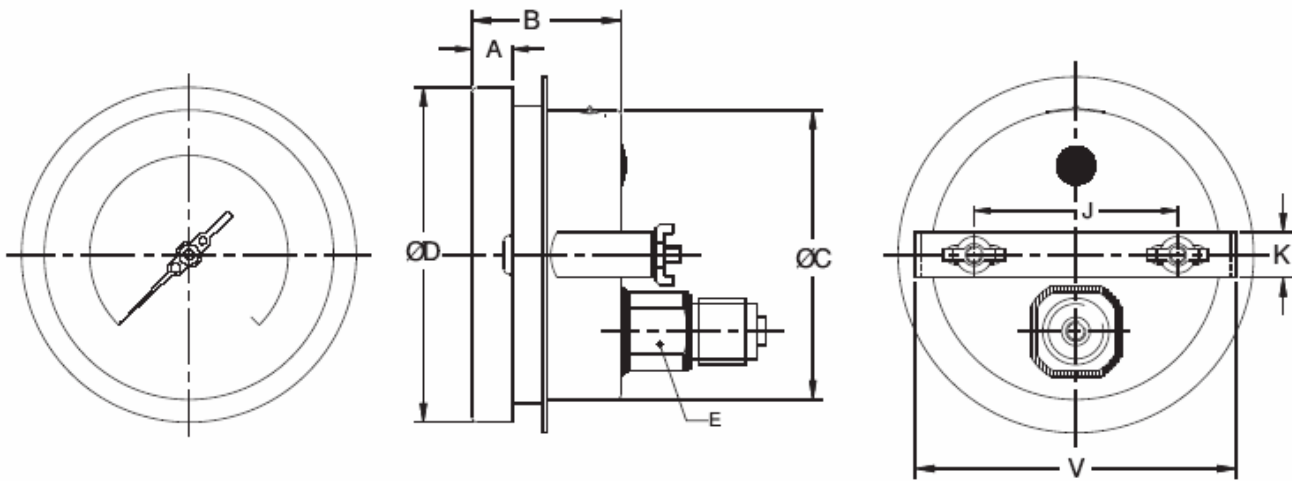
**TYPE 5**



NS	A	B	ØC	ØD	E	Weight in gram (With Box)
200	15	49	201.5	210.5	22	1530.0
250	15	50.5	249	263	22	2180.0

NS	A	B	ØC	ØD	E	ØN	ØU	ØI	S	Weight in gram (With Box)
200	15	49	201.5	210.5	22	245	230	7	1.5	1730.0
250	15	50.5	249	263	22	290	276	7	1.5	2680.0

## TYPE 9



NS	A	B	ØC	ØD	E	J	K	V	Weight in gram (With Box)
200	15	49	201.5	210.5	22	165	16	208	2030.0
250	15	50.5	249	263	22	215	16	260	2700.0

Notes : • Drawings are not to scale. • All Dimensions are in mm.

### RANGE TABLE

Note : Manufacturer offers National / International Scales like kPa, Mpa, bar, psi, kg/cm<sup>2</sup> & Dual Scale like kPa with psi, kPa with bar, bar with psi or Equivalent scales as per the requirement can be provided on request.

Following are the example tables for kg/cm<sup>2</sup> & psi scales

### PRESSURE RANGE

SINGLE SCALE (kg/cm <sup>2</sup> or bar)					
RANGE	RANGE	RANGE	RANGE	RANGE	RANGE
0/0.6	0/4	0/25	0/160	0/1000	
0/1	0/6	0/40	0/250	0/1400	
0/1.6	0/10	0/60	0/400	0/1600	
0/2.5	0/16	0/100	0/600		

DUAL SCALE (PSI with kg/cm <sup>2</sup> ) or PSI with bar					
RANGE (PSI)	RANGE (kg/cm <sup>2</sup> )	RANGE (PSI)	RANGE (kg/cm <sup>2</sup> )	RANGE (PSI)	RANGE (kg/cm <sup>2</sup> )
0/15	1	0/400	28	0/4000	280
0/30	2	0/500	35	0/5000	350
0/60	4	0/600	40	0/6000	400
0/100	7	0/1000	70	0/10000	700
0/150	10	0/1500	100	0/15000	1000
0/200	14	0/2000	140	0/20000	1400
0/300	21	0/3000	200	0/23000	1600

\* Note: For ranges above 1600kg/cm<sup>2</sup>, please consult factory.

### VACUUM & COMPOUND PRESSURE RANGE

DUAL SCALE					
inHg with PSI	mmHg with kg/cm <sup>2</sup>	inHg with PSI	mmHg with kg/cm <sup>2</sup>	inHg with PSI	mmHg with kg/cm <sup>2</sup>
Range	Range	Range	Range	Range	Range
-30/0	-760/0	-30/60	-760/3	-30/200	-760/15
-30/15	-760/1	-30/100	-760/6	-30/300	-760/20
-30/30	-760/2	-30/150	-760/9	-30/350	-760/24

SINGLE SCALE ( kg/cm <sup>2</sup> )			
RANGE	RANGE	RANGE	RANGE
- 1/0	- 1/1.5	- 1/5	- 1/15
- 1/0.6	- 1/3	- 1/9	- 1/24

## ACCESSORIES †

EC GAUGE COCK	* NEEDLE VALVE	EG SNUBBER
ED GAUGE SAVER		EH SIPHON
DX DIAPHRAGM SEALS		

† Refer Datasheet for complete specifications \* Refer catalogue for Valves & Manifolds

## HOW TO ORDER

### BASIC MODEL

CODE	I	J
NOMINAL SIZE (mm)	200mm	250mm

### TYPE OF MOUNTING

- 1 WALL / SURFACE / PROJECTION MOUNTING WITH BOTTOM ENTRY
- 2 DIRECT BOTTOM ENTRY
- 3 DIRECT LOWER BACK ENTRY
- 5 FLUSH PANEL LOWER BACK ENTRY WITH FRONT FLANGE
- 9 LOWER BACK ENTRY WITH MOUNTING BRACKET

### GAUGE CONNECTION

- 3BM 3/8" BSP (M) STANDARD
- 4BM 1/2" BSP (M) STANDARD
- 4NM 1/2" NPT (M) STANDARD
- 2NM 1/4" NPT (M)

Note : Connections like PT/PF/Flaired /UNF/G/R etc. can be provided on request.  
Non standard connections can be provided through adaptors.

### RANGE

REFER TABLES

### OPTIONS

FOR NON STANDARD PRODUCTS/OPTIONAL ITEMS, PLEASE CONTACT FACTORY FOR DELIVERY AND MINIMUM QUANTITY OF ORDER.

- |  |   |
|--|---|
| OA ACCURACY 0.5% OF F.S.<br>(EXCEPT OPTION DAMPENING LIQUID) | SB INTERNAL VACUUM STOP                       |
| PW FIVE POINT CALIBRATION CERTIFICATE                        | SW DIAL TAG MARKING                           |
| QB INTEGRAL DAMPENING SCREW IN AISI 316 SS                   | SX SS TAG PLATE                               |
| RH CUSTOM DESIGNED DIAL                                      | PV IBR APPROVAL (UPTO 70 kg/cm <sup>2</sup> ) |
| SA INTERNAL OVER PRESSURE STOP                               | PY DAMPENING LIQUID GLYCERINE FILLED          |
| SG OXYGEN SERVICE<br>(WITHOUT OPTION DAMPENING LIQUID)       | QA DAMPENING LIQUID SILICON OIL FILLED*       |
| PS AISI 316 SS CASE & BEZEL                                  |   |
| RX SHATTERPROOF / SAFETY GLASS                               |   |

\* GASKET, BOD & PLUG OF VITON / NBR

### Ordering Example:

AK- J - 2 - 4NM - 0/10kg/cm<sup>2</sup> - PW

Note : ● Due to continuous improvement, the specification may vary from time to time.

AK

J

2

4NM

0-10  
kg/cm<sup>2</sup>

PW