

DIAPHRAGM TYPE



SPECIAL FEATURES

- LOW COST VERSION
- SUITABLE FOR GASEOUS & LIQUID MEDIA
- RANGES -1 TO 25 kg/cm²
- STANDARD FOLLOWED IN GENERAL EN 837 - 3

APPLICATIONS

AREAS OF LESS CHEMICAL EXPOSURE

SPECIFICATIONS

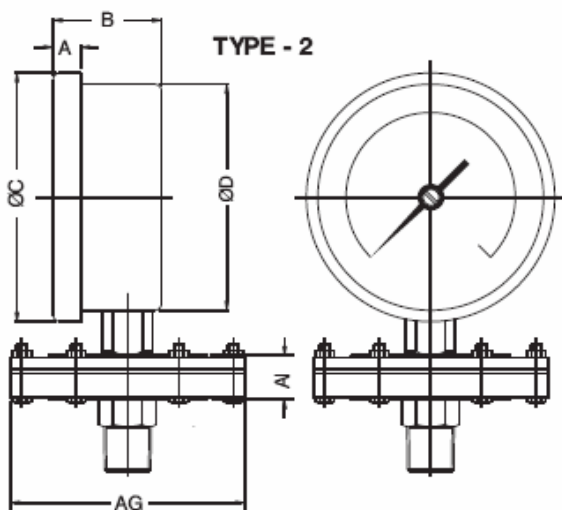
STANDARD VERSION : 100mm, 150mm



Accuracy	: ± 2.5% of F.S.
Ambient temperature	: - 25°C to + 65°C
Process temperature	: Max 120°C
Operating pressure	: 75 % of the Scale Value
Over pressure limit	: 130 % of Full Scale

Case	: Steel (Painted)
Ring	: Steel (Painted, Push Fit Type)
Top Chamber	: Steel (Painted)
Bottom Chamber	: AISI 316 SS
Movement	: Brass
Diaphragm	: Spring steel with PTFE protection

Dial	: Aluminium, black graduation on white background
Pointer	: Aluminium, black Coloured, Slotted, Zero adjustable
Window	: Sheet Glass
Gasket	: Neoprene



NS	A	B	ØC	ØD	AG	AI	Weight in gram (With Box)
100	15	46.5	108	99	98	19	1440.0
150	16	48	155	153	98	19	1900.0

Notes : • Drawings are not to scale. • All Dimensions are in mm. • NS = Nominal Size.

RANGE TABLE

Note : Manufacturer offers National / International Scales like kPa, MPa, bar, psi, kg/cm² & Dual Scale like kPa with psi, kPa with bar, bar with psi or Equivalent scales as per the requirement can be provided on request

Following are the example tables for kg/cm² & psi scales

PRESSURE RANGE

DUAL SCALE (kg/cm ² With PSI)					
PSI	kg/cm ²	PSI	kg/cm ²	PSI	kg/cm ²
0/10	0.6				
0/15	1	0/60	4	0/200	14
0/30	2	0/100	7	0/300	21
0/50	3.5	0/150	10	0/350	25

VACUUM & COMPOUND RANGE

DUAL SCALE					
inHg with PSI	mmHg with kg/cm ²	inHg with PSI	mmHg with kg/cm ²	inHg with PSI	mmHg with kg/cm ²
-30/0	-760 / 0	-30/60	-760 /3	-30/200	-760 /15
-30/15	-760 / 1	-30/100	-760 /6	-30/300	-760 /20
-30/30	-760 / 2	-30/150	-760 / 9	-30/350	-760 /24

Note : Other Scale are available on customer request Please specify

HOW TO ORDER

BASIC MODEL

CODE

F H

NOMINAL SIZE (mm)

100mm 150mm

TYPE OF MOUNTING

2 DIRECT BOTTOM ENTRY

GAUGE CONNECTION

4BM 1/2" BSP(M) STANDRAD 3BM 3/8" BSP(M)
 4NM 1/2" NPT(M) STANDARD 3NM 3/8" NPT(M)
 4TM 1/2" BSPT (M)
 4MM M20 X 1.5 (M)

Note ● Connections like PT/PF/Flaired /UNF/G/R etc.can be provided on request.

● Non standard connections can be provided through adaptors.

● Flanged Connections as per BS / ANSI / DIN etc standards with or without Teflon Protection can be provided on request.

RANGE

REFER TABLES

OPTIONS

FOR NON STANDARD PRODUCTS/OPTIONAL ITEMS, PLEASE CONTACT FACTORY FOR DELIVERY AND MINIMUM QUANTITY OF ORDER.

PW FIVE POINT CALIBRATION CERTIFICATE

SW DIAL TAG MARKING

SX SS TAG PLATE

RH CUSTOM DESIGNED DIAL

ZT SILVER PROTECTION ON DIAPHRAGM

SK MICROMETER '0' ADJUSTMENT POINTER

QU PTFE PROTECTION ON DIAPHRAGM

Ordering Example:

AM- F - 2 - 4BM - 0/10kg/cm² - SX

Note : ● Due to continuous improvement, the specification may vary from time to time.

AM

F

2

4BM

0-10
kg/cm²

SX