

DIAPHRAGM TYPE

AN

SPECIAL FEATURES

- LOW COST VERSION
- SUITABLE FOR GASEOUS AND NON CRYSTALLIZED LIQUID MEDIA
- RANGES FROM 25 mbar to 600 mbar
- STANDARD FOLLOWED IN GENERAL EN 837 - 3

APPLICATIONS

POWER / CEMENT / SUGAR / FOOD & BEVERAGES / PULP & PAPER & ALLIED PROCESS INDUSTRIES.

SPECIFICATIONS

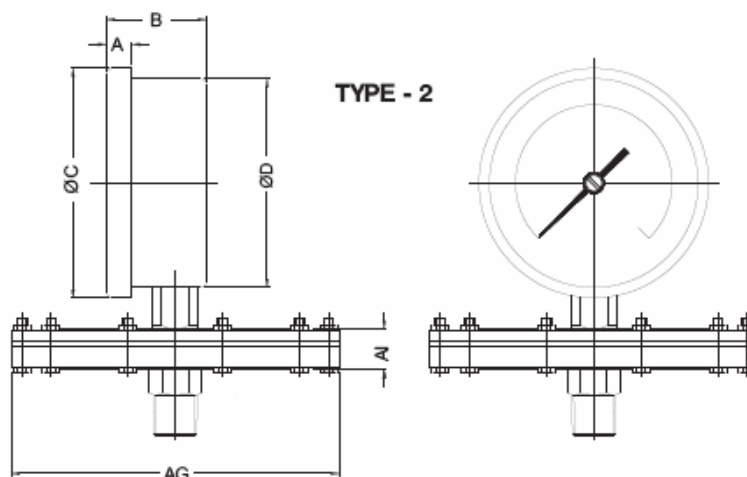
STANDARD VERSION : 100mm, 150mm



Accuracy	: ± 2.5% of F.S.
Ambient temperature	: - 25°C to + 65°C
Process temperature	: Max. 120°C
Operating pressure	: 75% of the Scale Value
Over pressure limit	: 110% of Full Scale

Case	: Steel (Painted)
Ring	: Steel (Painted, Push Fit Type)
Top Chamber	: Steel (Painted)
Bottom Chamber	: AISI 316 SS
Movement	: Brass
Diaphragm	: AISI 316 SS

Dial	: Aluminium, black graduation on white background
Pointer	: Aluminium, black Coloured Slotted Zero Adjustable
Window	: Sheet Glass
Gasket	: Neoprene



NS	A	B	ØC	ØD	AG	AI	Weight in gram (With Box)
100	15	46.5	108	99	158	17.5	2520.0
150	16	48	155	153	158	17.5	2960.0

Notes : • Drawings are not to scale. • All Dimensions are in mm. • NS = Nominal Size

RANGE TABLE

Note : Manufacturer offers National / International Scales like kPa, MPa, bar, psi, kg/cm² & Dual Scale like kPa with psi, kPa with bar, bar with psi or Equivalent scales as per the requirement can be provided on request

Following is the example table in mmWC

PRESSURE RANGE

SINGLE SCALE - mm WC				
0/250	0/600	0/1 600	0/2500	0/6000
0/400	0/1000	0/2000	0/4000	

VACUUM & COMPOUND RANGE

SINGLE SCALE - mm WC				
-250/0	-600/0	-1 600/0	-2500/0	-2000/4000
-400/0	-1000/0	-2000/0	-4000/0	
-100/1 00	-100/500	-600/1 000	-1000/1500	
-250/250	-400/600	-1 000/1000	-2000/2000	

Note : Other Scale are available on customer request Please specify

HOW TO ORDER

BASIC MODEL

CODE	F	H
NOMINAL SIZE	100mm	150mm

TYPE OF MOUNTING

2 DIRECT BOTTOM ENTRY

GAUGE CONNECTION

4BM	1/2" BSP(M) STANDRAD	3BM	3/8" BSP(M)
4NM	1/2" NPT(M) STANDARD	3NM	3/8" NPT(M)
4TM	1/2" BSPT (M)		
4MM	M20 X 1.5 (M)		

- Note : • Connections like PT/PF/Flaired /UNF/G/R etc.can be provided on request
 • Non standard connections can be provided through adaptors.
 • Flanged Connections as per BS / ANSI / DIN etc standards with or without
 • Teflon Protection can be provided on request.

RANGE

REFER TABLES

OPTIONS

FOR NON STANDARD PRODUCTS/OPTIONAL ITEMS, PLEASE CONTACT FACTORY FOR DELIVERY AND MINIMUM QUANTITY OF ORDER.

PW	FIVE POINT CALIBRATION CERTIFICATE
SW	DIAL TAG MARKING
SX	SS TAG PLATE
RH	CUSTOM DESIGNED DIAL
ZT	SILVER PROTECTION ON DIAPHRAGM
SK	MICROMETER '0' ADJUSTMENT POINTER
QU	PTFE PROTECTION ON DIAPHRAGM

Ordering Example:

AN - F - 2 - 4BM - 0-250mmWC - SX

Note : • Due to continuous improvement, the specification may vary from time to time.

AN

F

2

4BM

0-250
mmWC

SX