

DIAPHRAGM TYPE

AO

SPECIAL FEATURES

- STAINLESS STEEL CASE
- SUITABLE FOR GASEOUS & LIQUID MEDIA
- RANGES FROM -1 TO 25 kg/cm²
- STANDARD FOLLOWED IN GENERAL EN 837 - 3

APPLICATIONS

CHEMICALS / REFINERY / FERTILIZER / PETROCHEMICALS /
PHARMACEUTICAL / POWER / CEMENT / SUGAR / FOOD & BEVERAGES /
PULP & PAPER & ALLIED PROCESS INDUSTRIES.

SPECIFICATIONS

STANDARD VERSION : 100mm, 150mm

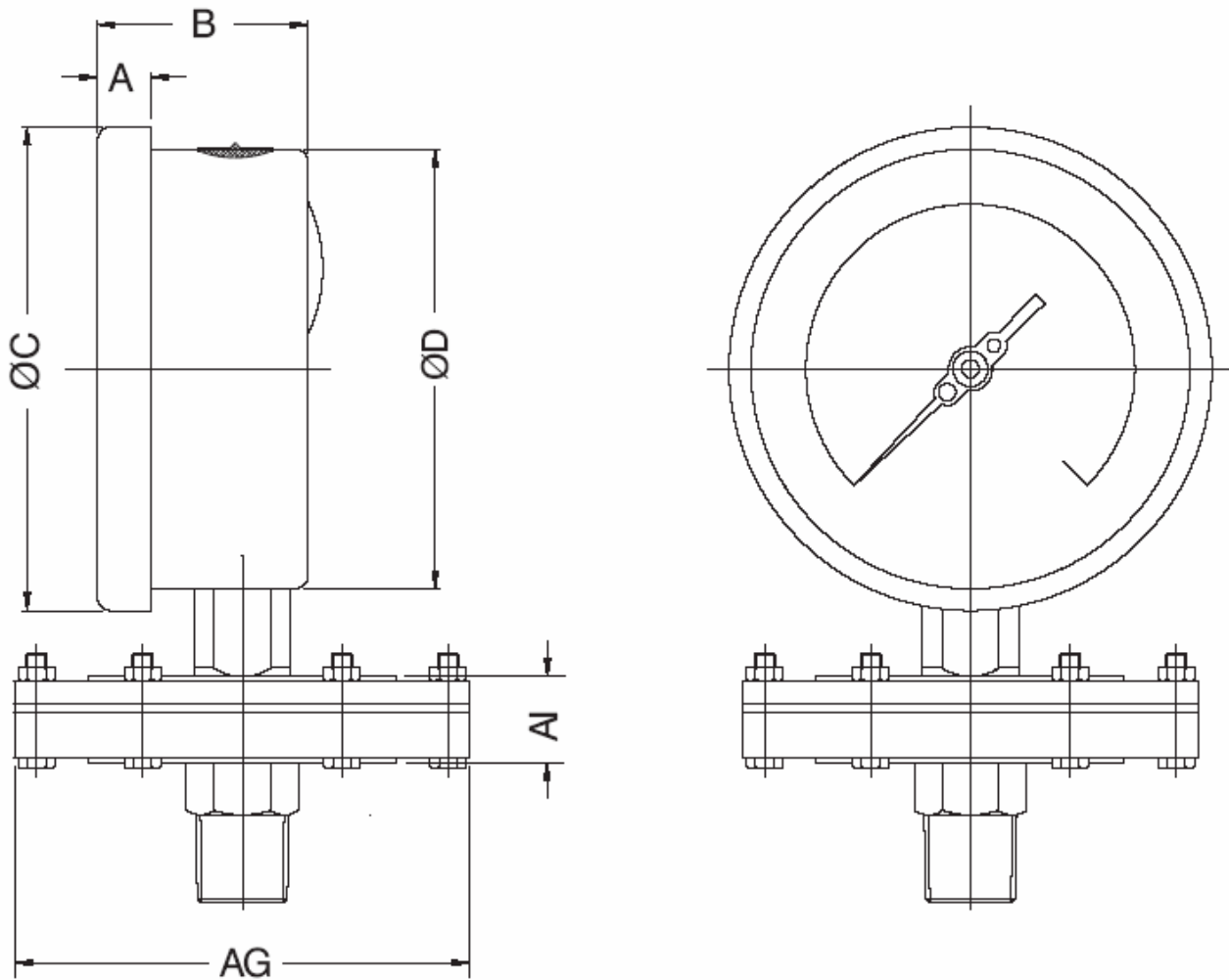
Accuracy	: ±1.6% of F.S.
Ambient temperature	: -25°C to + 65°C
Process temperature	: Max 120°C
Operating pressure	: 75 % of the Range Value
Over pressure limit	: 130 % of Full Scale

Case	: AISI 304 SS
Ring	: AISI 304 SS Bayonet Type
Top Chamber	: AISI 304 SS
Bottom Chamber	: AISI 316 SS
Movement	: AISI 304 SS
Diaphragm	: AISI 316L SS

Protection	: IP 65
Dial	: Aluminium, black graduation on white background
Pointer	: Aluminium, black coloured micrometer zero adjustable
Window	: Sheet Glass
Blow off Disc	: Neoprene
Gasket	: Neoprene



TYPE - 2



NS	A	B	ØC	ØD	AG	AI	Weight in gram (With Box)
100	125	48	110	100	98	19	1560.0
150	16	49	161	149	98	19	2020.0

Notes : • Drawings are not to scale. • All Dimensions are in mm. • NS = Nominal Size.

RANGE TABLE

Note : Manufacturer offers National / International Scales like kPa, MPa, bar, psi, kg/cm² & Dual Scale like kPa with psi, kPa with bar, bar with psi or Equivalent scales as per the requirement can be provided on request.

Following are the example tables for kg/cm² & psi scales

PRESSURE RANGE

SINGLE SCALE - kg/cm ²					
0/0.6	0/1	0/2.5	0/6	0/16	
	0/1.6	0/4	0/10	0/25	
DUAL SCALE (kg/cm ² With PSI)					
PSI	kg/cm ²	PSI	kg/cm ²	PSI	kg/cm ²
0/15	1	0/60	4	0/200	14
0/30	2	0/100	7	0/300	21
0/50	3.5	0/150	10	0/350	25

VACUUM & COMPOUND RANGE

SINGLE SCALE - kg/cm ²					
-1/0.6	-1/1.5	-1/3	-1/5	-1/9	
-1/15	-1/24				
DUAL SCALE					
inHg with PSI	mmHg with kg/cm ²	inHg with PSI	mmHg with kg/cm ²	inHg with PSI	mmHg with kg/cm ²
- 30/0	- 760 / 0	- 30/60	- 760 / 3	- 30/200	- 760 / 15
- 30/15	- 760 / 1	- 30/100	- 760 / 6	- 30/300	- 760 / 20
- 30/30	- 760 / 2	- 30/150	- 760 / 9	- 30/340	- 760 / 24

Note : Other Scale are available on customer request Please specify

ACCESSORIES †

EC	GAUGE COCK	EG	SNUBBER
*	NEEDLE VALVE	EH	SIPHON

† Refer Datasheet for complete specifications * Refer catalogue for Valves & Manifolds

FLANGE CONNECTION CODES

AS PER DIN 2527

DN	PN	CODE
10	6	A01
	10	A02
	16	A03
	25	A04
	40	A05
	64	A06
	100	A07
	160	A08
	250	A09
	400	A10
15	6	A11
	10	A12
	16	A13
	25	A14
	40	A15
	64	A16
	100	A17
	160	A18
	250	A19
	400	A20
20	6	A21
	10	A22
	16	A23
	25	A24
	40	A25
25	6	A26
	10	A27
	16	A28
	25	A29
	40	A30
	64	A31
	100	A32
	160	A33
	250	A34
400	A35	

DN	PN	CODE
32	6	A36
	10	A37
	16	A38
	25	A39
	40	A40
40	6	A41
	10	A42
	16	A43
	25	A44
	40	A45
	64	A46
	100	A47
	160	A48
	250	A49
	400	A50
50	6	A51
	10	A52
	16	A53
	25	A54
	40	A55
	64	A56
	100	A57
	160	A58
	250	A59
400	A60	

DN	PN	CODE
65	6	A61
	10	A62
	16	A63
	25	A64
	40	A65
	64	A66
	100	A67
	160	A68
	250	A69
	400	A70
80	6	A71
	10	A72
	16	A73
	25	A74
	40	A75
	64	A76
	100	A77
	160	A78
	250	A79
	400	A80

AS PER DIN 2642

DN	PN	CODE
10	10	A90
15		A91
20		A92
25		A93
32		A94
40		A95
50		A96
65		A97
80		A98

AS PER DIN 2633

DN	PN	CODE
10	16	A81
15		A82
20		A83
25		A84
32		A85
40		A86
50		A87
65		A88
80		A89

AS PER DIN 2635

DN	PN	CODE
10	40	A99
15		B01
20		B02
25		B03
32		B04
40		B05
50		B06
65		B07
80		B08

AS PER ANSI B 16.5

NOMINAL SIZE	RATING /CLASS	CODE	NOMINAL SIZE	RATING /CLASS	CODE	NOMINAL SIZE	RATING /CLASS	CODE	NOMINAL SIZE	RATING /CLASS	CODE
1/2"	150	B09	1"	150	B21	1 1/2"	150	B33	2 1/2"	150	B45
	300	B10		300	B22		300	B34		300	B46
	600	B11		600	B23		600	B35		600	B47
	900	B12		900	B24		900	B36		900	B48
	1500	B13		1500	B25		1500	B37		1500	B49
	2500	B14		2500	B26		2500	B38		2500	B50
3/4"	150	B15	1 1/4"	150	B27	2"	150	B39	3"	150	B51
	300	B16		300	B28		300	B40		300	B52
	600	B17		600	B29		600	B41		600	B53
	900	B18		900	B30		900	B42		900	B54
	1500	B19		1500	B31		1500	B43		1500	B55
	2500	B20		2500	B32		2500	B44		2500	B56

AS PER JIS - B 2210

NOMINAL SIZE	RATING /CLASS	CODE	NOMINAL SIZE	RATING /CLASS	CODE	NOMINAL SIZE	RATING /CLASS	CODE
10A	5K	B57	25A	5K	B66	50A	5K	B75
	10K	B58		10K	B67		10K	B76
	40K	B59		40K	B68		40K	B77
15A	5K	B60	32A	5K	B69	65A	5K	B78
	10K	B61		10K	B70		10K	B79
	40K	B62		40K	B71		40K	B80
20A	5K	B63	40A	5K	B72	80A	5K	B81
	10K	B64		10K	B73		10K	B82
	40K	B65		40K	B74		40K	B83

AS PER BS - 10

NOMINAL SIZE	TABLE	CODE	NOMINAL SIZE	TABLE	CODE	NOMINAL SIZE	TABLE	CODE	NOMINAL SIZE	TABLE	CODE
1/2"	D	B84	1"	D	B96	1 1/2"	D	C09	2 1/2"	D	C21
	E	B85		E	B97		E	C10		E	C22
	F	B86		F	B98		F	C11		F	C23
	H	B87		H	B99		H	C12		H	C24
	J	B88		J	C01		J	C13		J	C25
	K	B89		K	C02		K	C14		K	C26
3/4"	D	B90	1 1/4"	D	C03	2"	D	C15	3"	D	C27
	E	B91		E	C04		E	C16		E	C28
	F	B92		F	C05		F	C17		F	C29
	H	B93		H	C06		H	C18		H	C30
	J	B94		J	C07		J	C19		J	C31
	K	B95		K	C08		K	C20		K	C32

RAISED FACE : A2

FLAT FACE : A3

HOW TO ORDER

BASIC MODEL

			AO
CODE	F	H	
NOMINAL SIZE (mm)	100mm	150mm	F
TYPE OF MOUNTING			
2 DIRECT BOTTOM ENTRY			2
GAUGE CONNECTION			
3NM 3/8" NPT (M)	4TM 1/2" BSPT (M)		4NM
4NM 1/2" NPT (M) STANDARD	4MM M20 X 1.5 (M)		
3BM 3/8" BSP (M) STANDARD	3TM 3/8" BSPT (M)		
4BM 1/2" BSP (M) STANDARD			
Note : <ul style="list-style-type: none"> ● Connections like PT/PF/Flaired /UNF/G/R etc.can be provided on request. ● Non standard connections can be provided through adaptors. ● Flanged Connections as per BS / ANSI / DIN etc standards with or without Teflon protection can be provided on request. ● For Flanged Connections refer table 			
RANGE			
REFER TABLES			0-10 kg/cm²
OPTIONS			
FOR NON STANDARD PRODUCTS/OPTIONAL ITEMS, PLEASE CONTACT FACTORY FOR DELIVERY AND MINIMUM QUANTITY OF ORDER.			SX

- PW** FIVE POINT CALIBRATION CERTIFICATE
- RH** CUSTOM DESIGNED DIAL
- RX** SHATTERPROOF / SAFETY GLASS
- RZ** TOUGHENED GLASS
- SW** DIAL TAG MARKING
- SX** SS TAG PLATE
- ZT** SILVER PROTECTION ON DIAPHRAGM
- ZV** MONEL PROTECTION ON DIAPHRAGM
- ZX** HASTELLOY C ' PROTECTION ON DIAPHRAGM
- QS** PTFE PROTECTION ON WETTED PORTION
- PS** AISI 316 SS CASE & BEZEL
- QU** PTFE PROTECTION ON DIAPHRAGM
- YF** TOP CHAMBER IN AISI 316 SS
- ZN** 2" PIPE MOUNTING FOR BOTTOM MOUNTING GAUGES
- ZI** PTFE GASKET UPTO 200°C

Ordering Example:

AO - F - 2 - 4NM - 0/10kg/cm² - SX

ELECTRIC CONTACTS

(WITH IP PROTECTION UP TO IP 55)

INDUCTIVE TYPE (220 V AC, 0.4 Amp.)

- YW** Single; NORMALLY OPEN
- YV** Single; NORMALLY CLOSED
- YX** Double; NORMALLY CLOSED + NORMALLY OPEN
- YY** Double; NORMALLY OPEN
- YZ** Double; NORMALLY CLOSED
- ZA** Double; NORMALLY OPEN + NORMALLY CLOSED

Note : ● Due to continuous improvement, the specification may vary from time to time.