

## DIAPHRAGM TYPE



### SPECIAL FEATURES

- STAINLESS STEEL CASE & MEASURING SYSTEM
- RANGES FROM 25 mbar TO 600 mbar
- FLANGED OR SCREWED CONNECTION
- SUITABLE FOR GASEOUS & LIQUID VISCOSE & SLURRY APPLICATION
- STANDARD FOLLOWED IN GENERAL EN 837 - 3

### APPLICATIONS

POWER / CEMENT / CHEMICALS / REFINERY / FERTILIZER /  
PETROCHEMICALS / PHARMACEUTICAL / SUGAR / FOOD &  
BEVERAGES / PULP & PAPER & ALLIED PROCESS INDUSTRIES.



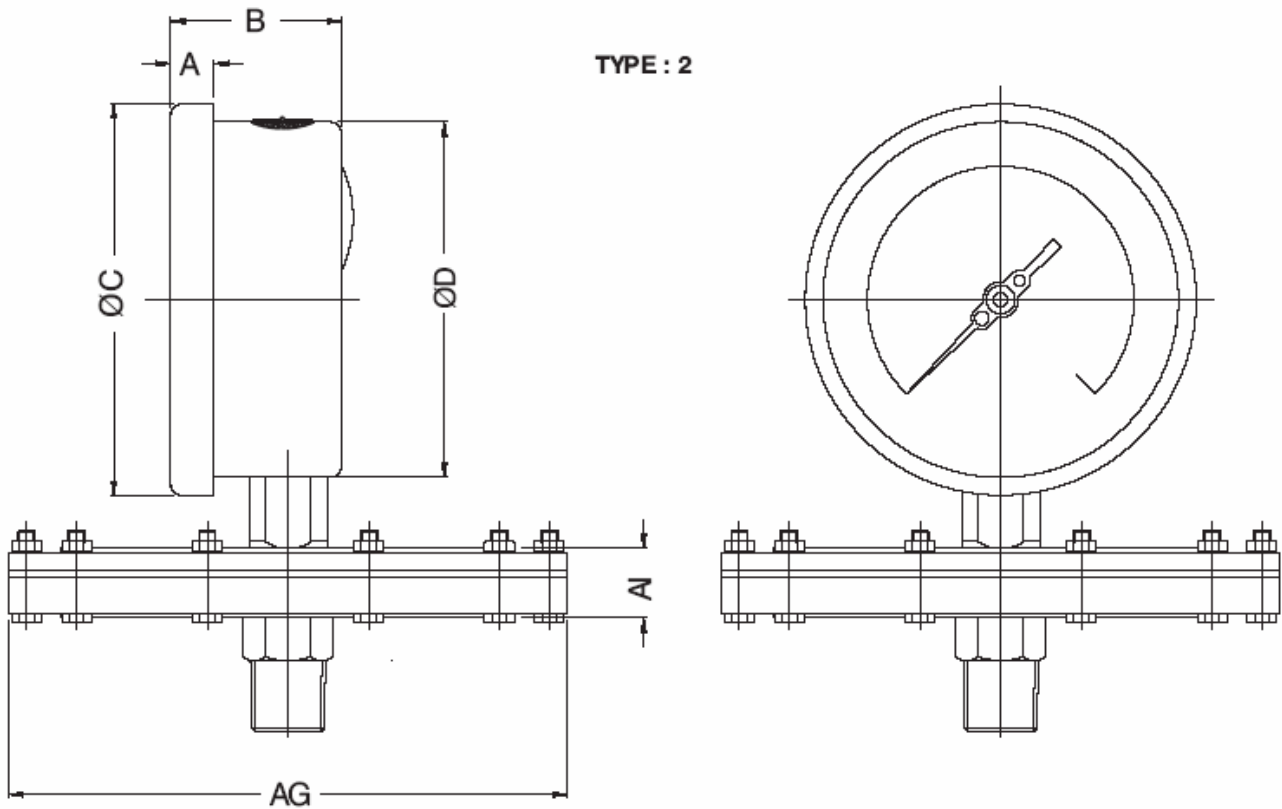
### SPECIFICATIONS

**STANDARD VERSION : 100mm, 150mm**

Accuracy	: $\pm 1.6\%$ of F.S.
Ambient temperature	: $- 25^{\circ}\text{C}$ to $+ 65^{\circ}\text{C}$
Process temperature	: Max $120^{\circ}\text{C}$
Operating pressure	: 75 % of the Range Value
Over pressure limit	: 130 % of Full Scale

Case	: AISI 304 SS
Ring	: AISI 304 SS Bayonet Type
Top Chamber	: AISI 304 SS
Bottom Chamber	: AISI 316 SS
Movement	: AISI 304 SS
Diaphragm	: AISI 316L SS

Protection	: IP 65
Dial	: Aluminium, black graduation on white background
Pointer	: Aluminium, black coloured, micrometer zero adjustable
Window	: Sheet Glass
Blow off Disc	: Neoprene
Gasket	: Neoprene



NS	A	B	ØC	ØD	AG	AI	Weight in gram (With Box)
100	125	48	110	100	158	17.5	2600
150	15	49	161	149	158	17.5	3080

(\*WEIGHTS MENTIONED ARE FOR STANDARD VERSION.)

Notes : • Drawings are not to scale. • All Dimensions are in mm. • NS = Nominal Size.

## RANGE TABLE

Note : Manufacturer offers National / International Scales like mbar, mmWC, MWC, Pa, inWC & Dual Scale or Equivalent scales as per the requirement can be provided on request.

Following are the example tables for mmWC Scale.

## PRESSURE RANGE

SINGLE SCALE - mmWC			
RANGE	RANGE	RANGE	RANGE
0/250	0/600	0/1600	0/2500
0/400	0/1 000	0/2000	0/6000

## VACUUM & COMPOUND RANGE

SINGLE SCALE - mmWC (VACUUM)				
RANGE	RANGE	RANGE	RANGE	RANGE
- 250/0	- 600/0	- 1 600/0	- 2500/0	- 6000/0
- 400/0	- 1000/0	- 2000/0	- 4000/0	
SINGLE SCALE - mmWC (COMPOUND)				
RANGE	RANGE	RANGE	RANGE	RANGE
- 100/1 50	- 200/400	- 600/1000	- 1 000/1500	
- 150/250	- 400/600	- 800/1200	- 2000/4000	

Note : Other Scale are available on customer request. Please specify

## ACCESSORIES †

EC	GAUGE COCK	EG	SNUBBER
*	NEEDLE VALVE	EH	SIPHON

† Refer Datasheet for complete specifications

\* Refer catalogue for valves and manifolds

## FLANGE CONNECTION CODES

### AS PER DIN 2527

DN	PN	CODE
10	6	A01
	10	A02
	16	A03
	25	A04
	40	A05
	64	A06
	100	A07
	160	A08
	250	A09
	400	A10
15	6	A11
	10	A12
	16	A13
	25	A14
	40	A15
	64	A16
	100	A17
	160	A18
	250	A19
	400	A20
20	6	A21
	10	A22
	16	A23
	25	A24
	40	A25
25	6	A26
	10	A27
	16	A28
	25	A29
	40	A30
	64	A31
	100	A32
	160	A33
	250	A34
400	A35	

DN	PN	CODE
32	6	A36
	10	A37
	16	A38
	25	A39
	40	A40
40	6	A41
	10	A42
	16	A43
	25	A44
	40	A45
	64	A46
	100	A47
	160	A48
	250	A49
	400	A50
50	6	A51
	10	A52
	16	A53
	25	A54
	40	A55
	64	A56
	100	A57
	160	A58
	250	A59
	400	A60

DN	PN	CODE
65	6	A61
	10	A62
	16	A63
	25	A64
	40	A65
	64	A66
	100	A67
	160	A68
	250	A69
	400	A70
80	6	A71
	10	A72
	16	A73
	25	A74
	40	A75
	64	A76
	100	A77
	160	A78
	250	A79
	400	A80

### AS PER DIN 2642

DN	PN	CODE
10	10	A90
15		A91
20		A92
25		A93
32		A94
40		A95
50		A96
65		A97
80		A98

### AS PER DIN 2633

DN	PN	CODE
10	16	A81
15		A82
20		A83
25		A84
32		A85
40		A86
50		A87
65		A88
80		A89

### AS PER DIN 2635

DN	PN	CODE
10	40	A99
15		B01
20		B02
25		B03
32		B04
40		B05
50		B06
65		B07
80		B08

## AS PER ANSI B 16.5

NOMINAL SIZE	RATING /CLASS	CODE	NOMINAL SIZE	RATING /CLASS	CODE	NOMINAL SIZE	RATING /CLASS	CODE	NOMINAL SIZE	RATING /CLASS	CODE
1/2"	150	B09	1"	150	B21	1 1/2"	150	B33	2 1/2"	150	B45
	300	B10		300	B22		300	B34		300	B46
	600	B11		600	B23		600	B35		600	B47
	900	B12		900	B24		900	B36		900	B48
	1500	B13		1500	B25		1500	B37		1500	B49
	2500	B14		2500	B26		2500	B38		2500	B50
3/4"	150	B15	1 1/4"	150	B27	2"	150	B39	3"	150	B51
	300	B16		300	B28		300	B40		300	B52
	600	B17		600	B29		600	B41		600	B53
	900	B18		900	B30		900	B42		900	B54
	1500	B19		1500	B31		1500	B43		1500	B55
	2500	B20		2500	B32		2500	B44		2500	B56

## AS PER JIS - B 2210

NOMINAL SIZE	RATING /CLASS	CODE	NOMINAL SIZE	RATING /CLASS	CODE	NOMINAL SIZE	RATING /CLASS	CODE
10A	5K	B57	25A	5K	B66	50A	5K	B75
	10K	B58		10K	B67		10K	B76
	40K	B59		40K	B68		40K	B77
15A	5K	B60	32A	5K	B69	65A	5K	B78
	10K	B61		10K	B70		10K	B79
	40K	B62		40K	B71		40K	B80
20A	5K	B63	40A	5K	B72	80A	5K	B81
	10K	B64		10K	B73		10K	B82
	40K	B65		40K	B74		40K	B83

## AS PER BS - 10

NOMINAL SIZE	TABLE	CODE	NOMINAL SIZE	TABLE	CODE	NOMINAL SIZE	TABLE	CODE	NOMINAL SIZE	TABLE	CODE
1/2"	D	B84	1"	D	B96	1 1/2"	D	C09	2 1/2"	D	C21
	E	B85		E	B97		E	C10		E	C22
	F	B86		F	B98		F	C11		F	C23
	H	B87		H	B99		H	C12		H	C24
	J	B88		J	C01		J	C13		J	C25
	K	B89		K	C02		K	C14		K	C26
3/4"	D	B90	1 1/4"	D	C03	2"	D	C15	3"	D	C27
	E	B91		E	C04		E	C16		E	C28
	F	B92		F	C05		F	C17		F	C29
	H	B93		H	C06		H	C18		H	C30
	J	B94		J	C07		J	C19		J	C31
	K	B95		K	C08		K	C20		K	C32

RAISED FACE : A2

FLAT FACE : A3

## HOW TO ORDER

### BASIC MODEL

CODE	F	H
NOMINAL SIZE (mm)	100	150

AP

F

2

4NM

0-250  
mmWC

SX

### TYPE OF MOUNTING

2 DIRECT BOTTOM ENTRY

### GAUGE CONNECTION

3NM 3/8" NPT (M)	4TM 1/2" BSPT (M)
4NM 1/2" NPT (M) STANDARD	4MM M20 X 1.5 (M)
3BM 3/8" BSP (M) STANDARD	3TM 3/8" BSPT (M)
4BM 1/2" BSP (M) STANDARD	

- Note :**
- 1 Connections like PT/PF/Flaired /UNF/G/R etc.can be provided on request.
  - 2 Non standard connections can be provided through adaptors.
  - 3 Flanged Connections as per BS / ANSI / DIN etc standards with or without Teflon protection can be provided on request.
  - 4 For Flanged Connections refer table

### RANGE

REFER TABLES

### OPTIONS

FOR NON STANDARD PRODUCTS/OPTIONAL ITEMS, PLEASE CONTACT FACTORY FOR DELIVERY AND MINIMUM QUANTITY OF ORDER.

- PW FIVE POINT CALIBRATION CERTIFICATE
- RH CUSTOM DESIGNED DIAL
- RX SHATTERPROOF / SAFETY GLASS
- RZ TOUGHENED GLASS
- SW DIAL TAG MARKING
- SX SS TAG PLATE
- ZT SILVER PROTECTION ON DIAPHRAGM
- ZV MONEL PROTECTION ON DIAPHRAGM
- ZX HASTELLOY 'C ' PROTECTION ON DIAPHRAGM
- QS PTFE PROTECTION ON WETTED PORTION
- PS AISI 316 SS CASE & BEZEL
- QU PTFE PROTECTION ON DIAPHRAGM
- YF TOP CHAMBER IN AISI 316 SS
- ZN 2" PIPE MOUNTING FOR BOTTOM MOUNTING GAUGES
- ZJ OVERPRESSURE LIMIT UPTO 2.5 TIMES OF RANGE
- ZI PTFE GASKET UPTO 200°C

### ELECTRIC CONTACTS

(WITH IP PROTECTION UPTO IP 55)

#### INDUCTIVE TYPE (220 V AC, 0.4 Amp.)

- YW Single; NORMALLY OPEN
- YV Single; NORMALLY CLOSED
- YX Double; NORMALLY CLOSED + NORMALLY OPEN
- YY Double; NORMALLY OPEN
- YZ Double; NORMALLY CLOSED
- ZA Double; NORMALLY OPEN + NORMALLY CLOSED

\* Note: THE SCALE AMPLITUDE WILL BE IN BETWEEN 180° TO 270°

#### Ordering Example:

AP- F - 2 - 4NM - 0/250mm WC - SX

**Note :** • Due to continuous improvement, the specification may vary from time to time.