

DOUBLE DIAPHRAGM TYPE

AQ

SPECIAL FEATURES

- CASE & MEASURING SYSTEM IN SS
- STATIC PRESSURE UPTO 200 Kg/cm²
- SINGLE SIDE STATIC PRESSURE SUSTAINABLE
- DRY OR LIQUID FILLED
- ACCURACY UPTO 1.6% F.S.
- STANDARD FOLLOWED IN GENERAL EN 837 - 3



APPLICATIONS

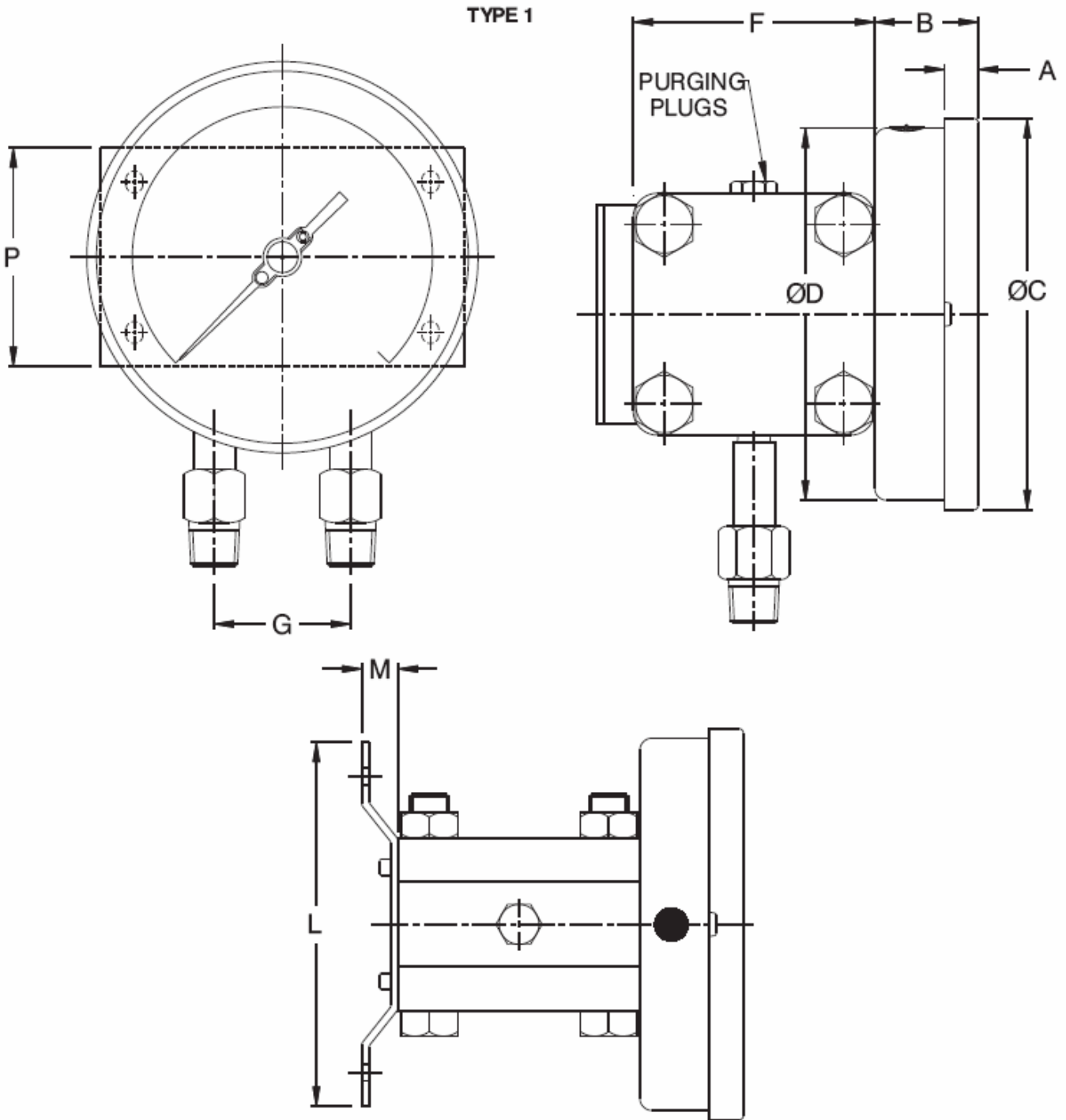
CHEMICALS / REFINERY / NUCLEAR / AEROSPACE / FERTILIZER
 / PETROCHEMICALS / PHARMACEUTICAL / POWER / CEMENT /
 SUGAR / FOOD & BEVERAGES / PULP / PAPER & ALLIED
 PROCESS INDUSTRIES.

SPECIFICATIONS

STANDARD VERSION : 100mm, 150mm

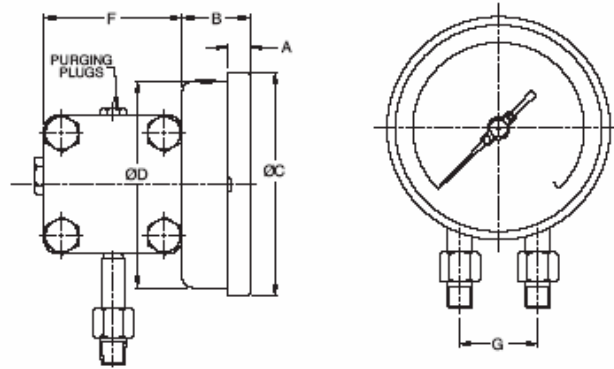
Accuracy	: ±1.6% of F.S.
Ambient temperature	: -25°C to + 65°C
Process temperature	: Max 100°C
Static pressure	: 100 kg/cm ² Above ranges 6000 mm WC
	: 40 kg/cm ² upto ranges 6000 mm WC
Case	: AISI 304 SS
Ring	: AISI 304 SS Bayonet Type
Diaphragm	: AISI 316L SS (Double Diaphragm)
Nuts & Bolts	: AISI 304 SS
Purging Port Plug	: 2 x 1/4" NPT(F) AISI 304 SS
Chamber	: AISI 304 Stainless Steel
Movement	AISI 304 Stainless Steel With Internal Limits
	Stops for Min. & Max. Pressure
Protection	: IP 65
Dial	: Aluminium, black graduation on white background
Pointer	: Aluminium, black Coloured, Micrometer
	Zero Adjustable
Window	: Shatter proof / Safety Glass
Case Gasket	: Neoprene
Element Chamber Filling	: Silicon Oil (Others as Optional)
Diaphragm Sealing Gasket	: Viton
Scale Amplitude	: 180° to 270° (Depends on Range)
Temperature Error :-	When temperature of the pressure element deviates from + 20 °C,
	Rising temperature: + 0,6% / 10 °C of true scale value
	Falling temperature: -0,6% / 10 °C of true scale value

TYPE 1



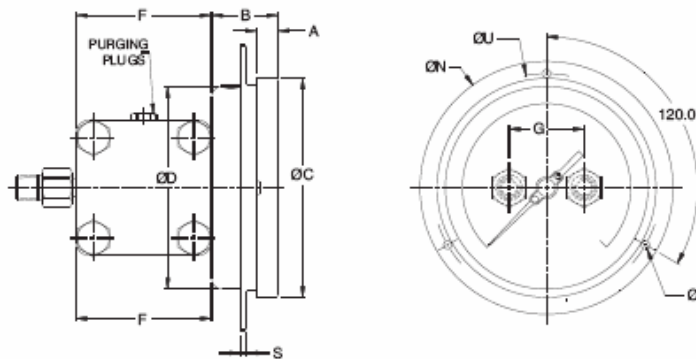
NS	A	B	ØC	ØD	F	G	M	L	P	Weight in gram (With Box)
100	12.5	48	110	100	99	50	16.5	149	90	6170.0
150	15	49	161	149	99	50	16.5	149	90	6484.0

TYPE 2



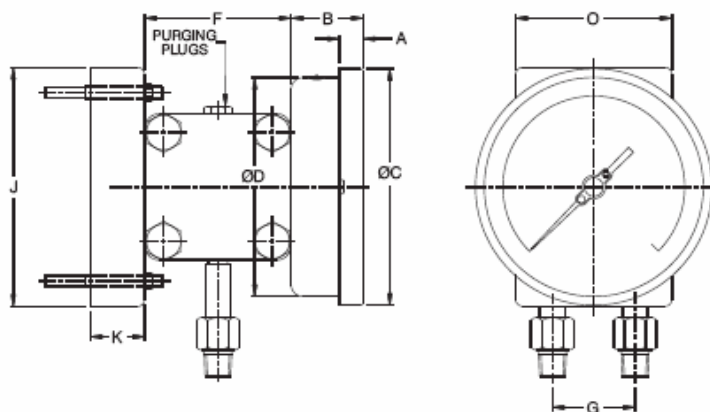
NS	A	B	ØC	ØD	F	G	Weight in gram (With Box)
100	12.5	48	110	100	99	50	5850.0
150	15	49	161	149	99	50	6164.0

TYPE 5



NS	A	B	ØC	ØD	S	ØI	ØN	ØU	F	G	Weight in gram (With Box)
100	12.5	48	110	100	1	6	134	118	99	50	5980.0
150	15	49	161	149	5	6	186	168	99	50	6147.0

TYPE 6



NS	A	B	ØC	ØD	F	G	J	K	O	Weight in gram (With Box)
100	12.5	48	110	100	99	50	164	37	105	6730.0
150	15	49	161	149	99	50	164	37	105	7144.0

Notes : • Drawings are not to scale. • All Dimensions are in mm. • NS = Nominal Size.

RANGE TABLE

Note : Manufacturer offers National / International Scales like kPa, MPa, bar, psi, kg/cm², mbar, MWC, inWC & Dual Scale like kPa with psi, kPa with bar, bar with psi or Equivalent scales as per the requirement can be provided on request. Scales for 100 are also available.

Following are the example tables for kg/cm² & mmWC

PRESSURE RANGE

SINGLE SCALE					
mmWC	mmWC	mmWC	kg/cm ²	kg/cm ²	kg/cm ²
0/250	0/1000	0/4000	0/1	0/2.5	0/10
0/400	0/1600	0/6000	0/1.6	0/4	0/16
0/600	0/2500		0/2	0/6	0/25

Note : Other Scale are available on customer request

ACCESSORIES†

DX DIAPHRAGM SEALS (WITH / WITHOUT CAPILLARY) * NEEDLE VALVE

† Refer Datasheet for complete specifications * Refer catalogue for valves and manifolds

HOW TO ORDER

BASIC MODEL

CODE	F	H	AQ
NOMINAL SIZE (mm)	100	150	H

TYPE OF MOUNTING

1 SURFACE MOUNTING WITH BOTTOM ENTRY	
2 DIRECT BOTTOM ENTRY	
5 FLUSH PANEL BACK ENTRY WITH FRONT FLANGE	2
6 2" PIPE / YOKE MOUNTING BOTTOM ENTRY	

GAUGE CONNECTION

2 NF 1/4" NPT (F) X 2 NOS. STANDARD	4BM 1/2" BSP (M) X 2 NOS.	
3BM 3/8" BSP (M) X 2 NOS.	4NM 1/2" NPT (M) X 2 NOS.	4NM

Note : Connections like PT/PF, Flared, UNF/G/R etc. can be provided on request.
Non standard connections can be provided through adaptors.

RANGE

REFER TABLES 0 - 2 kg/cm²

OPTIONS

FOR NON STANDARD PRODUCTS/OPTIONAL ITEMS, PLEASE CONTACT FACTORY FOR DELIVERY AND MINIMUM QUANTITY OF ORDER.

PS AISI 316 SS CASE & BEZEL	RX SHATTERPROOF / SAFETY GLASS
PW FIVE POINT CALIBRATION CERTIFICATE	RZ TOUGHENED GLASS
PY DAMPENING LIQUID GLYCERINE	RH CUSTOM DESIGNED DIAL
QA DAMPENING LIQUID SILICON OIL (GASKET & FILLING PLUG OF NBR / VITON)	RW PLEXI GLASS
RB DIAPHRAGM CHAMBER IN AISI SS 316	SW DIAL TAG MARKING
RD DIAPHRAGM CHAMBER IN MONEL (WITH MONEL DIAPHRAGM)	SX SS TAG PLATE
RF DIAPHRAGM IN MONEL	TF TESTED TO NACE STANDARDS
YR STATIC PRESSURE UPTO 200 Kg/cm ²	

Note : For static Pressure above 200 Kg/cm² Please Consult Factory.

ELECTRIC CONTACTS : (WITH IP PROTECTION UP TO IP 55, DAMPENING LIQUID OPTIONS ARE NOT AVAILABLE)

A) MAGNETIC SNAP ACTION TYPE (230 V AC 1Amp.)
(48 VDC 0.5Amp.)

B) INDUCTIVE TYPE (220 V AC 0.4Amp.)
AVAILABLE ONLY ABOVE 400 mmWC

AVAILABLE ONLY ABOVE 6000 mmWC

RJ Single; NORMALLY CLOSED	YW Single; NORMALLY OPEN
RK Double; NORMALLY CLOSED + NORMALLY OPEN	YV Single; NORMALLY CLOSED
RL Single; NORMALLY OPEN	YX Double; NORMALLY CLOSED + NORMALLY OPEN
RM Double; NORMALLY OPEN + NORMALLY CLOSED	YY Double; NORMALLY OPEN
RN Double; NORMALLY CLOSED	YZ Double; NORMALLY CLOSED
RO Double; NORMALLY OPEN	ZA Double; NORMALLY OPEN + NORMALLY CLOSED
RU BOOSTER FOR CURRENT UP TO 5Amp	
RA SPDT	
RC DPDT	

Ordering Example:

AQ - H - 2 - 4NM - 0/2kg/cm² - PW

Note : ● Due to continuous improvement, the specification may vary from time to time.