

## BOURDON TYPE



### SPECIAL FEATURES

- HIGH PRECISION MEASURING SYSTEM
- HIGH RESOLUTION DIAL
- ANTI PARALLAX MIRROR
- SOCKET & CASE WELDED CONSTRUCTION
- STAINLESS STEEL CASE
- STANDARD FOLLOWED IN GENERAL EN 837-1



### APPLICATIONS

CALIBRATION / TESTING IN LABORATORY, FITS AT VARIOUS PROCESS INDUSTRIES.

### SPECIFICATIONS

**STANDARD VERSION : 150mm, 200mm, 250mm**

Accuracy	: $\pm 0.25\%$ of F.S.
Ambient temperature	: upto 65°C
Process temperature	: + 65°C
Operating Pressure	: 75% of the Scale Value

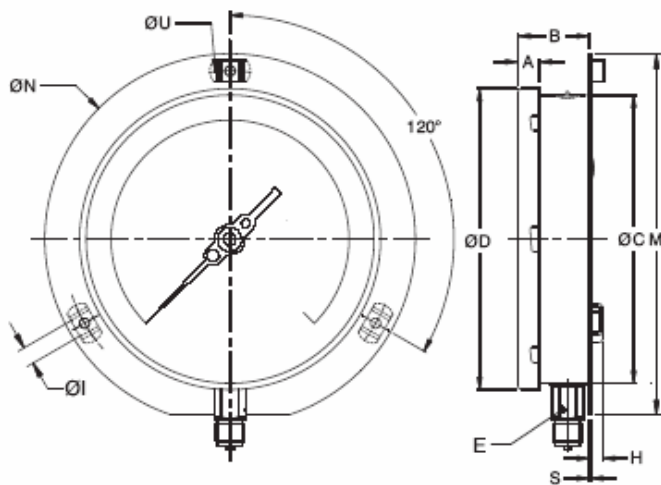
Case	: AISI 304 SS
Ring	: AISI 304 SS (Bayonet Type)
Bourdon	: Beryllium Copper
Socket	: AISI 316L SS
Movement	: High Precision Jewel Bearing Type

Protection	: IP 65
Dial	: Aluminium, Green with Black Marking & Anti parallax Mirror Band
Pointer	: Balanced, Knife-Edge Micrometer Adjustable
Pointer Stopper	: Spring Type
Gasket	: Neoprene
Welding	: Alloy Brazing
Window	: Shatter proof / Safety Glass
Blow Off Disc	: Neoprene
Carrying Case	: Wooden carrying case
Calibration certificate	: 5 Point traceable calibration certificate

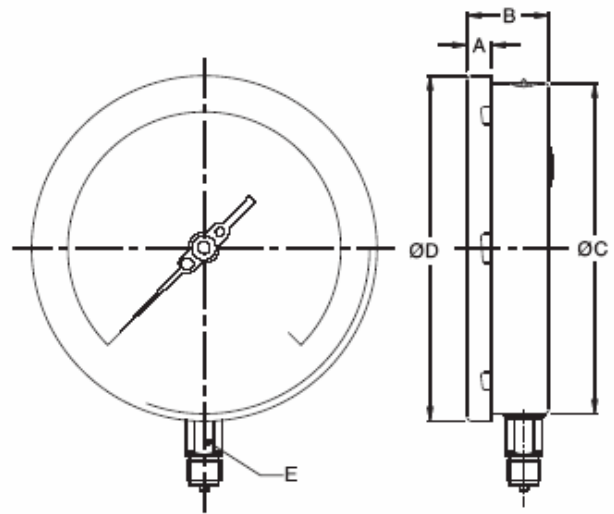
### ALL STAINLESS STEEL TEST GAUGE (OPTION - YQ)

Accuracy	: $\pm 0.5\%$ OF F.S.
Ambient temperature	: -25°C TO + 65°C
Process temperature	: + 150°C
Bourdon	: AISI 316L SS
Socket	: AISI 316 L SS
Movement	: AISI 304 SS
Welding	: Tig Argon Arc Welding

**TYPE 1**



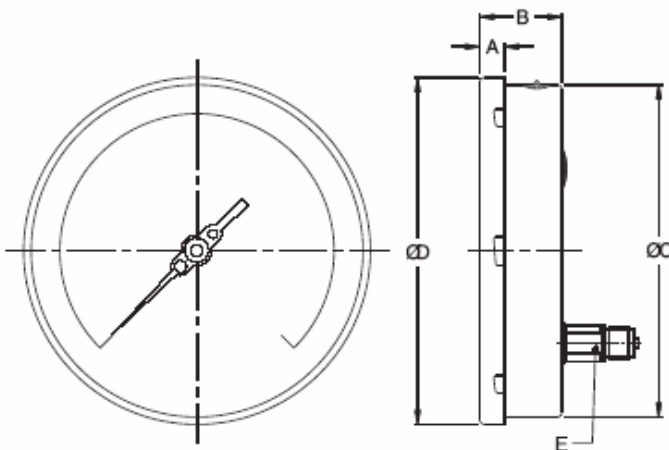
**TYPE 2**



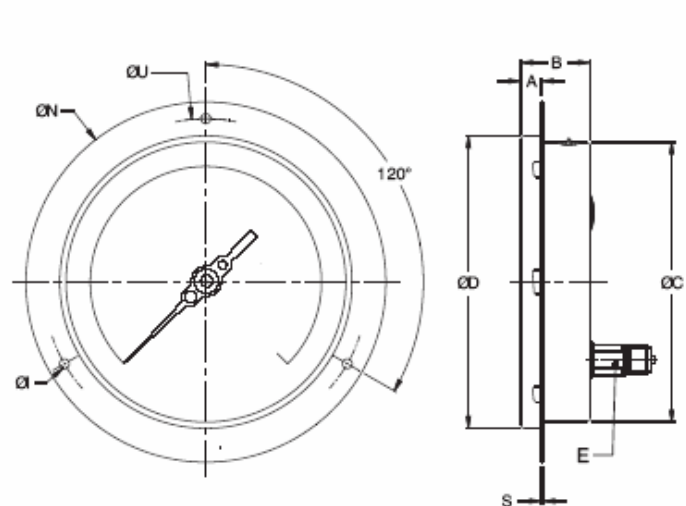
NS	A	B	ØC	ØD	E	M	ØN	ØU	H	ØI	S	Weight in gram (With Wooden Box)
150	15	49	149.0	161.0	22	177	186	168	15	6	5.5	2040.0
200	15	49	201.5	210.5	22	-	245	230	15	8	1.5	2850.0
250	15	50.5	263	249	22	286.5	290	276	15	8	1.5	4220.0

NS	A	B	ØC	ØD	E	Weight in gram (With Wooden Box)
150	15	49	149	161	22	1850.0
200	15	49	201.5	210.5	22	2550.0
250	15	50.5	263	249	22	3660.0

**TYPE 3**

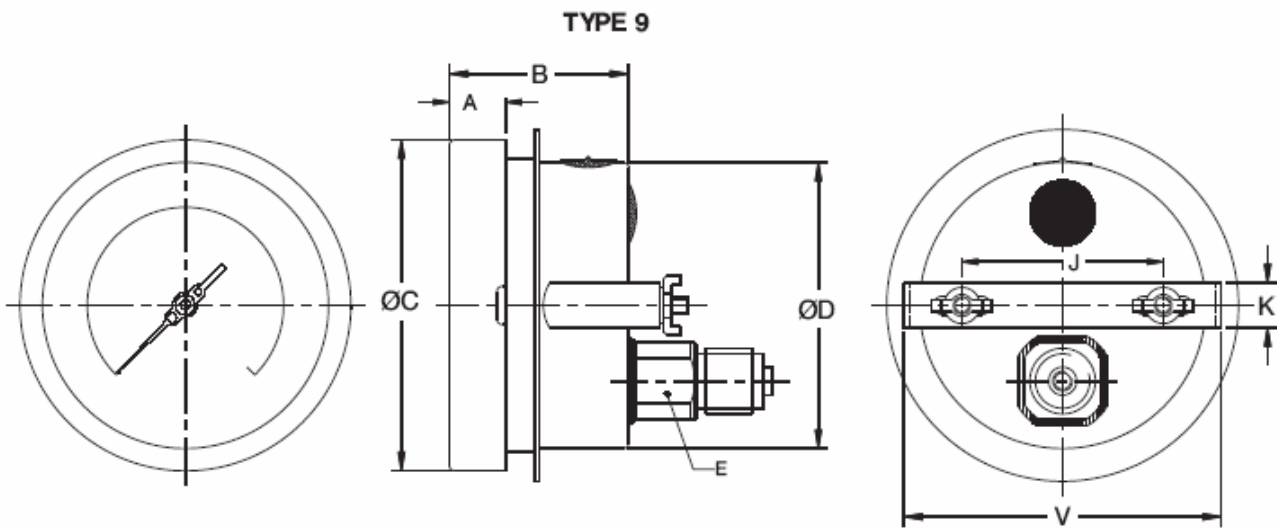


**TYPE 5**



NS	A	B	ØC	ØD	E	Weight in gram (With Wooden Box)
150	15	49	149	161	22	2000.0
200	15	49	201.5	210.5	22	2750.0
250	15	50.5	263	249	22	3850.0

NS	A	B	ØC	ØD	E	ØN	ØU	ØI	S	Weight in gram (With Wooden Box)
150	15	49	201.5	210.5	22	245	230	8	1.5	2360.0
200	15	49	201.5	210.5	22	245	230	8	1.5	2930.0
250	15	50.5	263	249	22	290	276	8	1.5	4280.0



NS	A	B	ØC	ØD	E	J	K	V	Weight in gram (With Wooden Box)
150	15	49	161	149	22	103.5	16	158	2220.0
200	15	49	201.5	210.5	22	165	16	208	3280.0
250	15	50.5	263	249	22	215	16	260	4500.0

Notes : • Drawings are not to scale. • All Dimensions are in mm.

## RANGE TABLE

Note : Manufacturer offers National / International Scales like kPa, MPa, bar, psi, kg/cm<sup>2</sup>, mmHg & Dual Scale like kPa with psi, kPa with bar, bar with psi or Equivalent scales as per the requirement can be provided on request.

Following are the example tables for kg/cm<sup>2</sup>

## PRESSURE RANGE

SINGLE SCALE (kg/cm <sup>2</sup> or bar)				
RANGE	RANGE	RANGE	RANGE	RANGE
0/0.6	0/4	0/25	0/160	0/1000
0/1	0/6	0/40	0/250	
0/1.6	0/10	0/60	0/400	
0/2.5	0/16	0/100	0/600	

## VACUUM RANGE

SINGLE SCALE	
RANGE (kg/cm <sup>2</sup> )	RANGE(mmHg)
-1/0	-760/0

Note : Other Scale are available on customer request Please specify

## HOW TO ORDER

### BASIC MODEL

CODE	H	I	J
NOMINAL SIZE (mm)	150	200	250

AR

H

### TYPE OF MOUNTING

- 1 WALL/ SURFACE/ PROJECTION MOUNTING WITH BOTTOM ENTRY
- 2 DIRECT BOTTOM ENTRY
- 3 DIRECT LOWER BACK ENTRY
- 5 FLUSH PANEL LOWER BACK ENTRY WITH FRONT FLANGE
- 9 LOWER BACK ENTRY WITH MOUNTING BRACKET

2

### GAUGE CONNECTION

2BM 1/4" BSP (M)	3NM 3/8" NPT (M)	4TM 1/2" BSPT (M)
3BM 3/8" BSP (M)	4NM 1/2" NPT (M) STANDARD	4MM M20X1.5(M)
4BM 1/2" BSP (M) STANDARD	2TM 1/4" BSPT (M)	
2NM 1/4" NPT (M)	3TM 3/8" BSPT (M)	

4NM

Note: Connections like PT/PF/Flaired /UNF/G/R etc. can be provided on request.  
Non standard connections can be provided through adaptors.

### RANGE

REFER TABLES

0-10  
kg/cm<sup>2</sup>

### OPTIONS

FOR NON STANDARD PRODUCTS/OPTIONAL ITEMS, PLEASE CONTACT FACTORY FOR DELIVERY AND MINIMUM QUANTITY OF ORDER.

- |  |                   |
|--|-------------------|
| QB INTEGRAL DAMPENING SCREW IN AISI 316 SS | SG OXYGEN SERVICE |
| RH CUSTOM DESIGNED DIAL                    |                   |
| SW DIAL TAG MARKING                        |                   |
| SX SS TAG PLATE                            |                   |

SW

### Ordering Example:

AR - H - 2 - 4NM - 0/10kg/cm<sup>2</sup> - SW

Note: ● Due to continuous improvement, the specification may vary from time to time.