

## BOURDON TYPE

AS

### SPECIAL FEATURES

- COST EFFECTIVE
- RUGGED BUT SLEEK DESIGN
- DRY OR LIQUID FILLED
- SS 304 ROLLING CASE
- STANDARD FOLLOWED IN GENERAL EN 837-1



### APPLICATIONS

PNEUMATICS, HYDRAULICS, PUMPS, COMPRESSORS,  
DIESEL ENGINES.

### SPECIFICATIONS

#### STANDARD VERSION : 100mm

Accuracy	: ±1.6% of F.S.
Ambient temperature	: - 20°C to + 65°C
Process temperature	: Max 125°C
Operating pressure	: 75 % of the Range Value
Over pressure limit	: 25 % for Ranges up to 100 kg / cm <sup>2</sup> 15 % for Pressure Ranges above 100 kg / cm <sup>2</sup>
Case & Ring	: AISI 304 SS, Rolling Type
Bourdon	: Copper Alloy up to 70 kg/cm <sup>2</sup> : AISI 316 for above 70kg/cm <sup>2</sup> to 400 kg/cm <sup>2</sup>
Socket	: Copper Alloy
Movement	: Copper Alloy
Joints	: Tin - Copper Brazing up to 70kg/cm <sup>2</sup> (above 70kg/cm <sup>2</sup> to 400 kg/cm <sup>2</sup> - Silver Alloy)
Protection	: IP 65
Dial	: Aluminium, black graduation on white background
Pointer	: Aluminium, black Coloured, Fixed
Window	: Plexi Glass
Filling Plug	: Neoprene
Gasket	: Neoprene

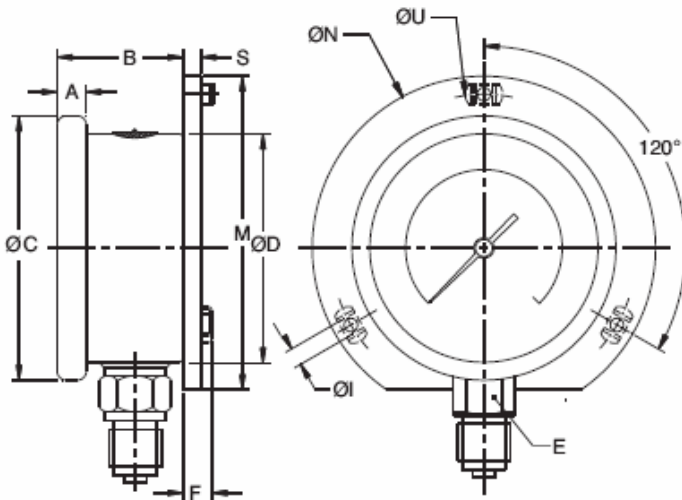
#### GLYCERINE FILLED VERSION (OPTION P Y)

Accuracy	: ±1.6% of F.S.
Ambient Temperature	: Maximum 65°C
Process Temperature	: Maximum 65°C
Window	: Plexi Glass
Dampening Liquids	: Glycerine 98% (others available as option)
Other Features	: Refer Specification of Standard Version

#### DRY BUT FILLABLE VERSION

Option Code	: Fillable Dampening Liquid
FG	: Fillable Glycerine 98%

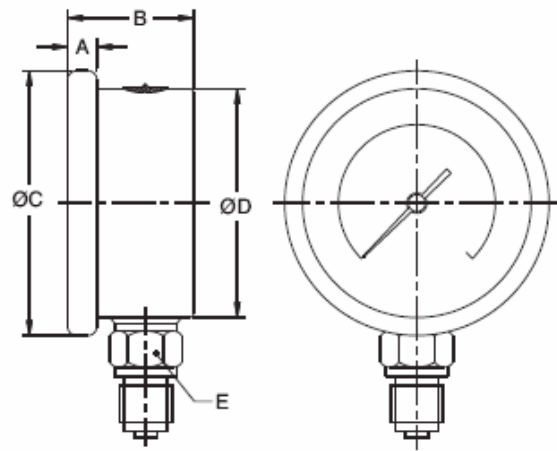
TYPE 1



ROLLING TYPE (STANDARD)

NS	A	B	ØD	ØC	E	M	S	F	ØI	ØN	ØU	Weight in gram (With Box)
100	7	35.5	100	110	A/F 17	128	6	14.5	6	134	118	465.0

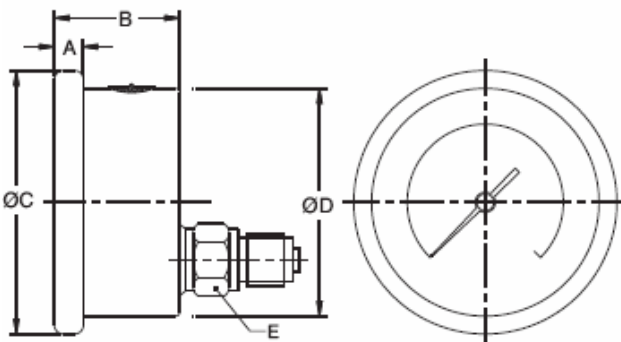
TYPE 2



ROLLING TYPE (STANDARD)

NS	A	B	ØD	ØC	E	Weight in gram (With Box)
100	7	35.5	100	110	A/F 17	375.0

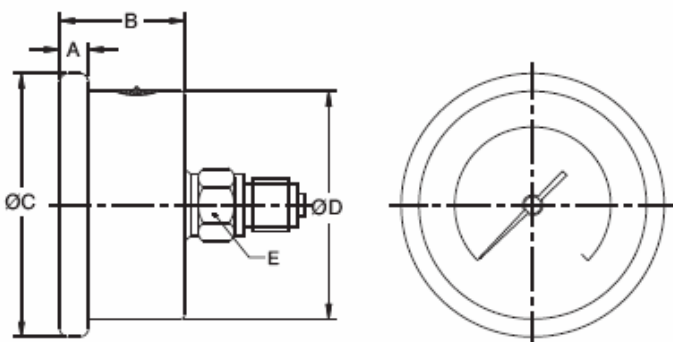
TYPE 3



ROLLING TYPE (STANDARD)

NS	A	B	ØD	ØC	E	Weight in gram (With Box)
100	7	35.5	100	110	A/F 17	380.0

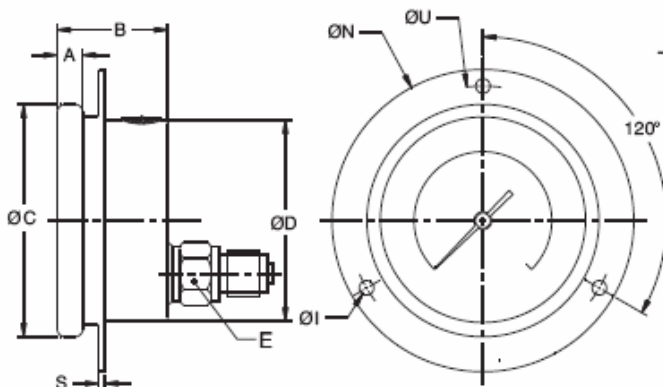
TYPE 4



ROLLING TYPE (STANDARD)

NS	A	B	ØD	ØC	E	Weight in gram (With Box)
100	7	35.5	100	110	A/F 17	380.0

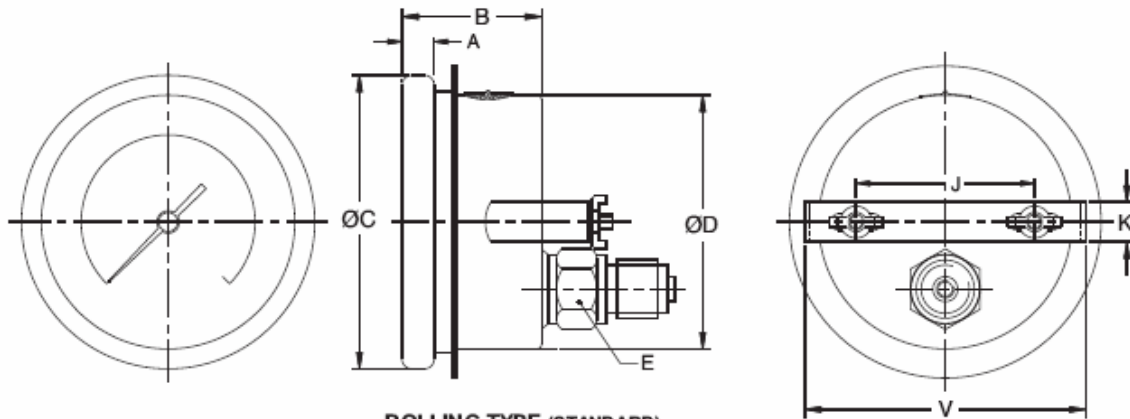
TYPE 5



ROLLING TYPE (STANDARD)

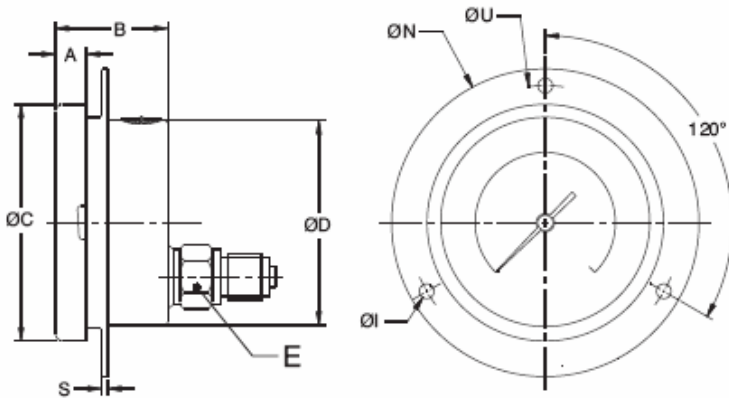
NS	A	B	ØD	ØC	E	S	ØI	ØN	ØU	Weight in gram (With Box)
100	12.5	35.5	100	110	A/F 17	1	6	134	118	460.0

TYPE 9



ROLLING TYPE (STANDARD)

NS	A	B	ØD	ØC	E	J	K	V	Weight in gram (With Box)
100	7	35.5	100	110	AF 17	66.5	16	106	470.0

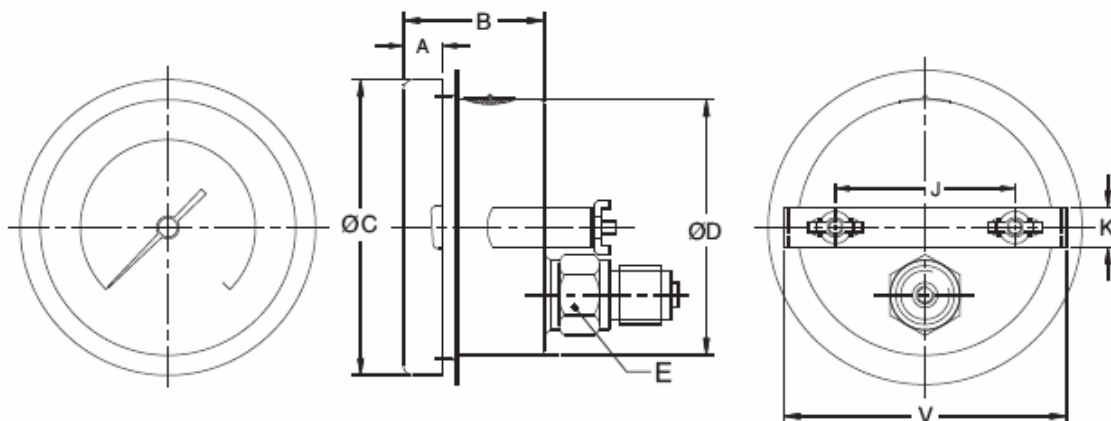


TYPE 5

BAYONET TYPE (OPTION)

NS	A	B	ØD	ØC	E	S	ØI	ØN	ØU	Weight in gram (With Box)
100	12.5	339	100	110	A/F 17	1	6	134	118	480.0

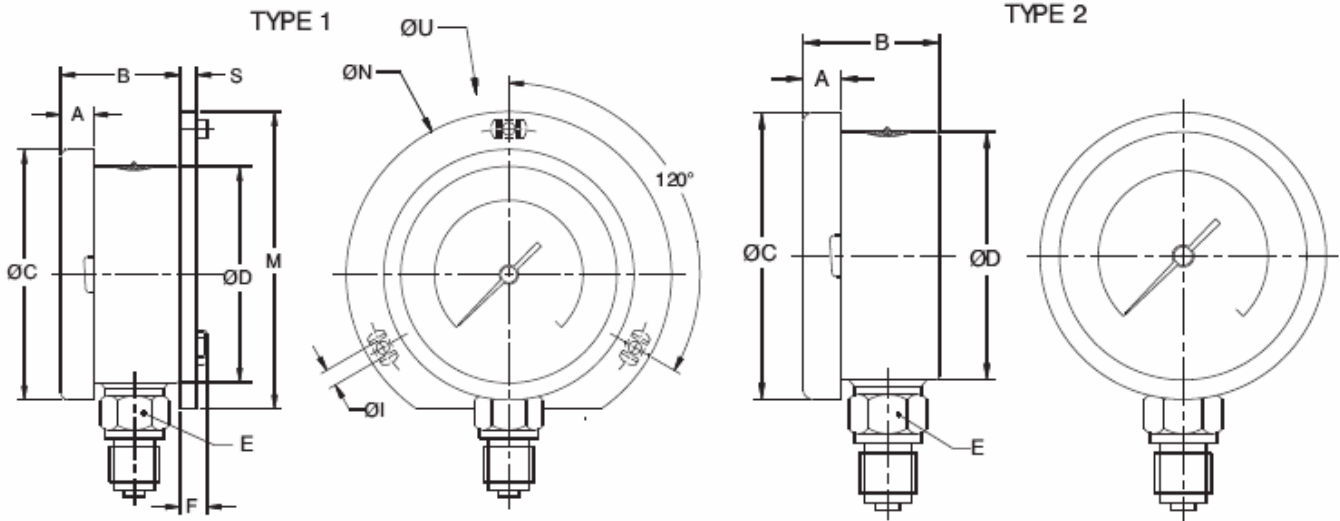
TYPE 9



BAYONET TYPE (OPTION)

NS	A	B	ØD	ØC	E	J	K	V	Weight in gram (With Box)
100	12.5	39	100	110	AF 17	66.5	16	106	520.0

## DIMENSIONS - STANDARD VERSION

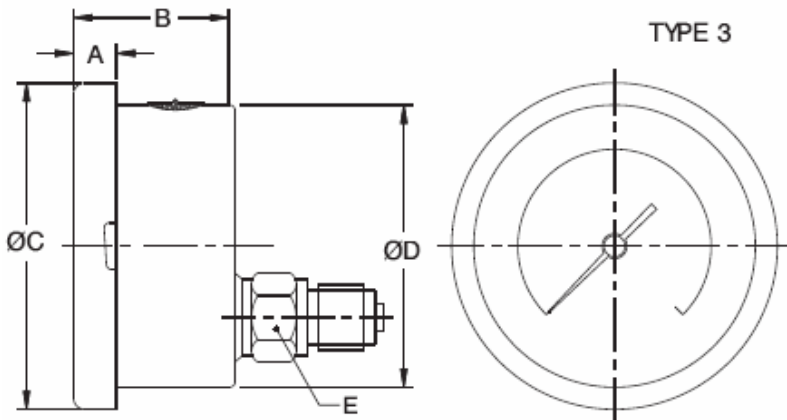


**BAYONET TYPE (OPTION)**

NS	A	B	ØD	ØC	E	M	S	F	ØI	ØN	ØU	Weight in gram (With Box)
100	12.5	39	100	110	A/F 17	128	6	14.5	6	134	118	510.0

**BAYONET TYPE (OPTION)**

NS	A	B	ØD	ØC	E	Weight in gram (With Box)
100	12.5	39	100	110	A/F 17	390.0



**TYPE 3**

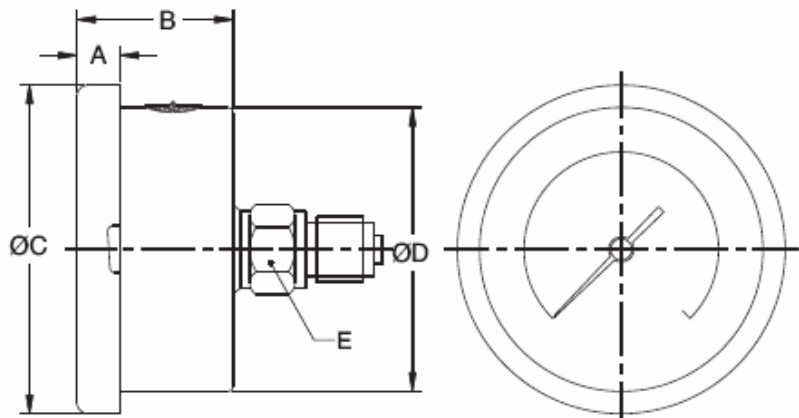
**BAYONET TYPE (OPTION)**

NS	A	B	ØD	ØC	E	Weight in gram (With Box)
100	12.5	39	100	110	A/F 17	410.0

**TYPE 4**

**BAYONET TYPE (OPTION)**

NS	A	B	ØD	ØC	E	Weight in gram (With Box)
100	12.5	39	100	110	A/F 17	395.0



## RANGE TABLE

Note : Manufacturer offers National / International Scales like kPa, Mpa, bar, psi, kg/cm<sup>2</sup> & Dual Scale like kPa with psi, kPa with bar, bar with psi or Equivalent scales as per the requirement can be provided on request.

Following are the example tables for kg/cm<sup>2</sup> & psi scales

## PRESSURE RANGE

SINGLE SCALE					
RANGE (kg/cm <sup>2</sup> )	RANGE	RANGE	RANGE	RANGE	RANGE
0/1	0/4	0/16	0/60	0/250	0/1000
0/1.6	0/6	0/25	0/100	0/400	
0/2.5	0/10	0/40	0/160	0/600	
DUAL SCALE PSI with kg/cm <sup>2</sup>					
RANGE (IN PSI)	RANGE (kg/cm <sup>2</sup> )	RANGE (IN PSI)	RANGE (kg/cm <sup>2</sup> )	RANGE (IN PSI)	RANGE (kg/cm <sup>2</sup> )
0/15	1	0/300	20	0/3000	210
0/30	2	0/400	28	0/4000	280
0/60	4	0/500	35	0/5000	350
0/100	7	0/600	40	0/6000	400
0/150	10	0/1000	70	0/10000	700
0/200	14	0/1500	100	0/15000	1000
		0/2000	140		

## VACUUM & COMPOUND RANGE

DUAL SCALE					
Range	Range	Range	Range	Range	Range
inHg with PSI	mmHg with kg/cm <sup>2</sup>	inHg with PSI	mmHg with kg/cm <sup>2</sup>	inHg with PSI	mmHg with kg/cm <sup>2</sup>
-30/0	-760/0	-30/60	-760/3	-30/200	-760/15
-30/15	-760/1	-30/100	-760/6	-30/300	-760/20
-30/30	-760/2	-30/150	-760/9	-30/350	-760/24
SINGLE SCALE kg/cm <sup>2</sup>					
RANGE	RANGE	RANGE	RANGE	RANGE	RANGE
-1/0	-1/1.5	-1/5	-1/15	-1/15	-1/15
-1/0.6	-1/3	-1/9	-1/24	-1/24	-1/24

## ACCESSORIES†

EC GAUGE COCK	* NEEDLE VALVE
ED GAUGE SAVER	EG SNUBBER
	EH SIPHON

† Refer Datasheet for complete specifications \* Refer catalogue for valves and manifolds

## HOW TO ORDER

### BASIC MODEL

<b>CODE</b>	<b>F</b>
<b>NOMINAL SIZE (mm)</b>	100

AS

F

### TYPE OF MOUNTING

- 1 WALL / SURFACE / PROJECTION MOUNTING WITH BOTTOM ENTRY
- 2 DIRECT BOTTOM ENTRY
- 3 DIRECT LOWER BACK ENTRY
- 4 DIRECT CENTRE BACK ENTRY
- 5 FLUSH PANEL BACK ENTRY WITH FRONT FLANGE
- 9 BACK ENTRY WITH MOUNTING BRACKET

2

### GAUGE CONNECTION

<b>2BM</b> 1/4" BSP (M)	<b>3NM</b> 3/8" NPT (M)	<b>4TM</b> 1/2" BSPT (M)
<b>3BM</b> 3/8" BSP (M) STANDARD	<b>4NM</b> 1/2" NPT (M) STANDARD	
<b>4BM</b> 1/2" BSP (M) STANDARD	<b>2TM</b> 1/4" BSPT (M)	
<b>2NM</b> 1/4" NPT (M)	<b>3TM</b> 3/8" BSPT (M)	

3BM

**Note :** Connections like PT/PF/Flaired /UNF/G/R etc.can be provided on request.  
Non standard connections can be provided through adaptors.

### RANGE

REFER TABLES

0-10  
Kg/cm<sup>2</sup>

### OPTIONS

FOR NON STANDARD PRODUCTS/OPTIONAL ITEMS, PLEASE CONTACT FACTORY FOR DELIVERY AND MINIMUM QUANTITY OF ORDER.

- PW** FIVE POINT CALIBRATION CERTIFICATE
- RH** CUSTOM DESIGNED DIAL
- SG** OXYGEN SERVICE (WITHOUT DAMPENING LIQUID)
- SX** SS TAG PLATE
- PY** DAMPENING LIQUID GLYCERINE FILLED
- FG** FILLABLE LIQUID GLYCERINE
- SK** MICROMETER '0' ADJUSTMENT POINTER
- OS** CASE WITH BAYONET TYPE BEZEL
- QB** INTEGRAL DAMPENING SCREW (BRASS)

PY

### Ordering Example:

**AS - F - 2 - 3BM - 0/10kg/cm<sup>2</sup> - PY**

**Note :** ● Due to continuous improvement, the specification may vary from time to time.