

BOURDON TYPE



SPECIAL FEATURES

- COST EFFECTIVE
- RUGGED BUT SLEEK DESIGN
- DRY OR LIQUID FILLED
- COMPACT DESIGN
- STANDARD FOLLOWED IN GENERAL EN 837-1

APPLICATIONS

PNEUMATICS, HYDRAULICS, PUMP,
COMPRESSORS, DIESEL ENGINES

SPECIFICATIONS

STANDARD VERSION : 100mm

Accuracy	: ±1.6% of F.S.
Ambient temperature	: - 20°C to + 60°C
Process temperature	: Max 270°C
Operating pressure	: 75% of the Scale Value
Over pressure limit	: 25% for Pressure Ranges upto 100 kg / cm ² 15% for Pressure Ranges above 100 kg / cm ² .

Case	: AISI 304 SS
Ring	: AISI 304 SS Bayonet Type
Bourdon	: AISI 316 SS
Socket	: AISI 316 SS
Movement	: Copper Alloy
Joints	: Tig Argon Arc Welding

Protection	: IP 65
Dial	: Aluminium, black graduation on white background
Pointer	: Aluminium, black coloured, slotted Zero adjustable
Window	: Sheet Glass
Filling Plug	: Neoprene
Gasket	: Neoprene

GLYCERINE FILLED VERSION (OPTION P Y)

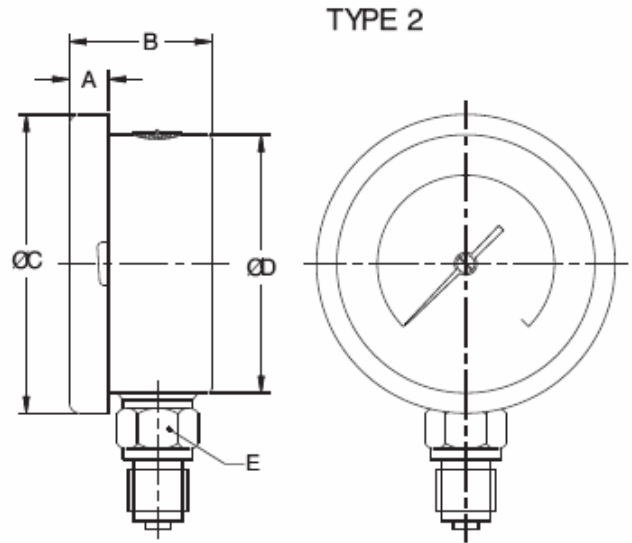
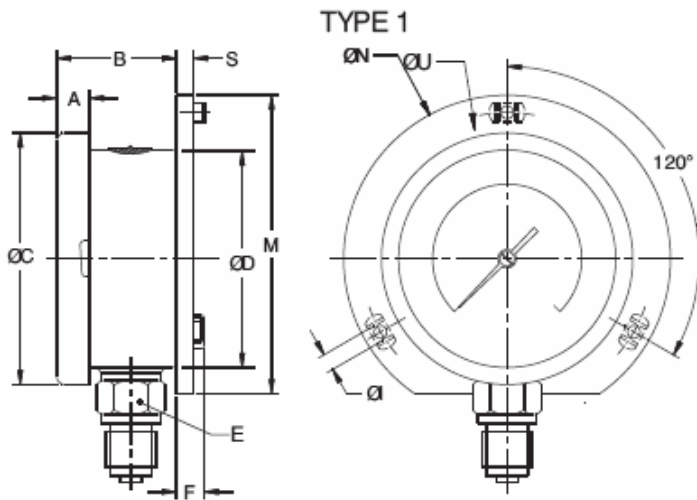
Accuracy	: ±1.6% of F.S.
Process Temperature	: Maximum 65°C
Ambient Temperature	: Maximum 65°C
Window	: Plexi Glass
Dampening Liquids	: Glycerine 98%(others available as option)
Other Features	: Refer Specification of Standard Version

DRY BUT FILLABLE VERSION

Option Code	: Fillable Dampening Liquid
FG	: For Glycerine 98%
FS	: For silicon Oil



DIMENSIONS - STANDARD VERSION

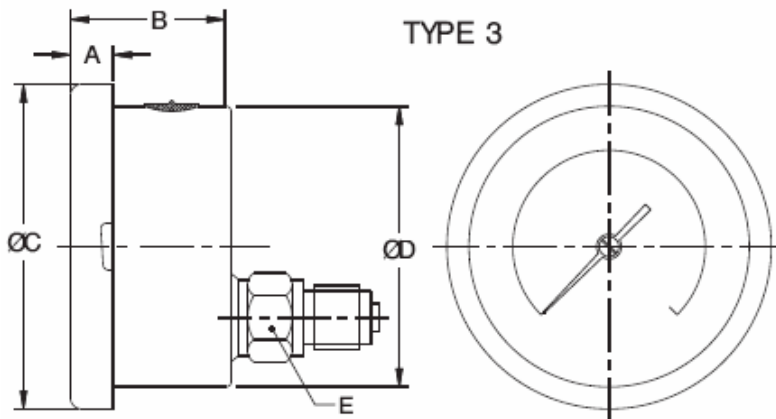


BAYONET TYPE (STANDARD)

NS	A	B	ØD	ØC	E	M	S	F	Ø	ØN	ØU	Weight in gram (With Box)
100	12.5	39	100	110	A/F 17	128	6	14.5	6	134	118	530.0

BAYONET TYPE (STANDARD)

NS	A	B	ØD	ØC	E	Weight in gram (With Box)
100	12.5	39	100	110	A/F 17	420.0

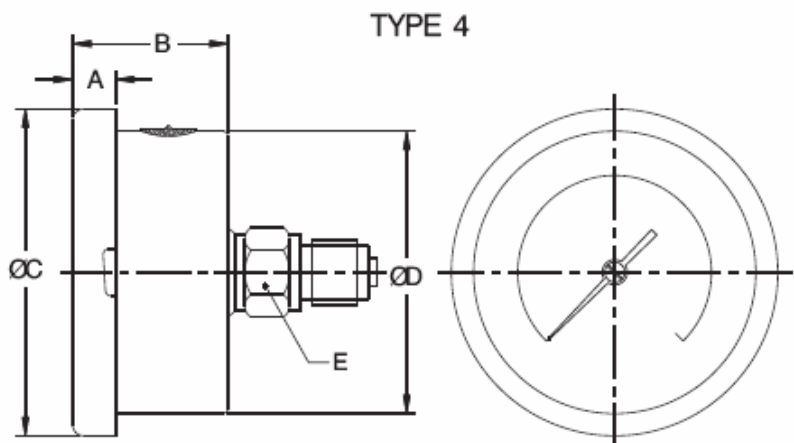


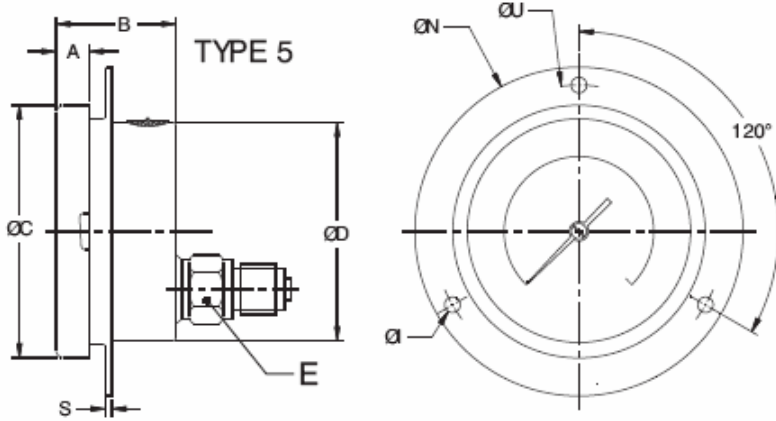
BAYONET TYPE (STANDARD)

NS	A	B	ØD	ØC	E	Weight in gram (With Box)
100	12.5	39	100	110	A/F 17	440.0

BAYONET TYPE (STANDARD)

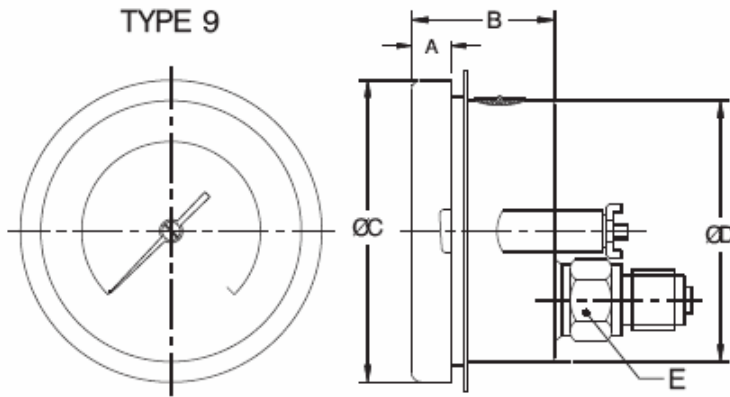
NS	A	B	ØD	ØC	E	Weight in gram (With Box)
100	12.5	39	100	110	A/F 17	425.0





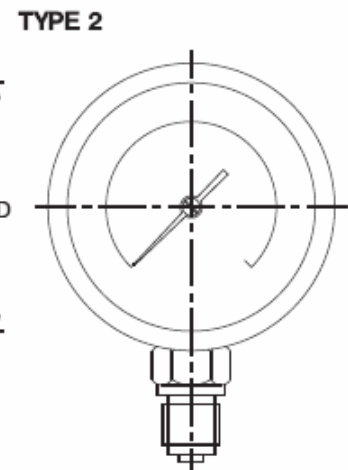
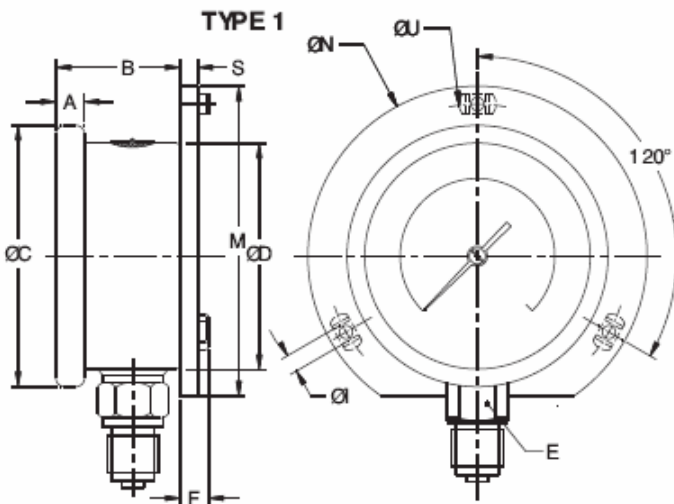
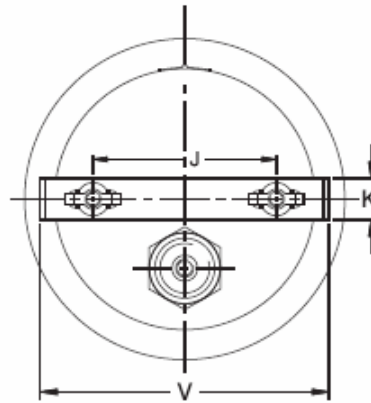
BAYONET TYPE (STANDARD)

NS	A	B	ØD	ØC	E	S	ØI	ØN	ØU	Weight in gram (With Box)
100	12.5	33.9	100	110	A/F 17	16	134	118		510.0



BAYONET TYPE (STANDARD)

NS	A	B	ØD	ØC	E	J	K	V	Weight in gram (With Box)
100	12.5	39	100	110	A/F 17	66.5	16	106	550.0

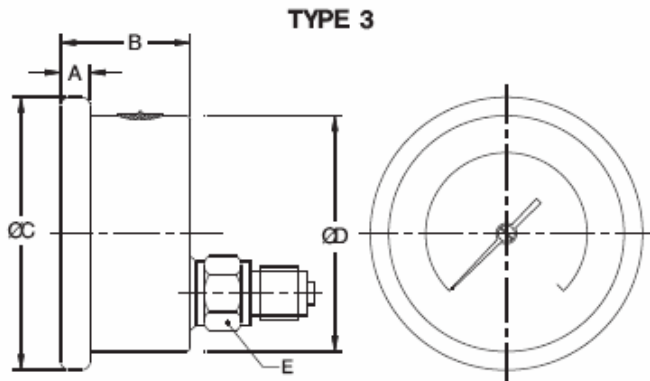


ROLLING TYPE (OPTION)

NS	A	B	ØD	ØC	E	M	S	F	ØI	ØN	ØU	Weight in gram (With Box)
100	7	35.5	100	110	A/F 17	128	6	14.5	6	134	118	495.0

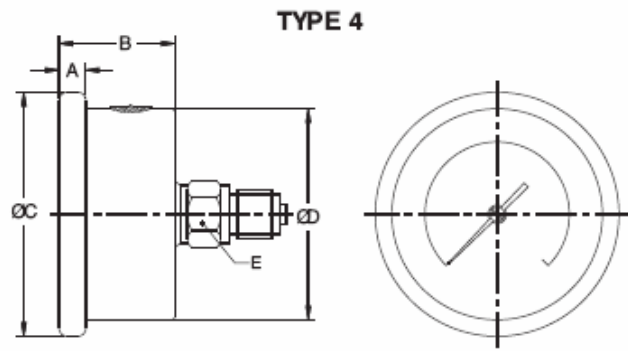
ROLLING TYPE (OPTION)

NS	A	B	ØD	ØC	E	Weight in gram (With Box)
100	7	35.5	100	110	A/F 17	405.0



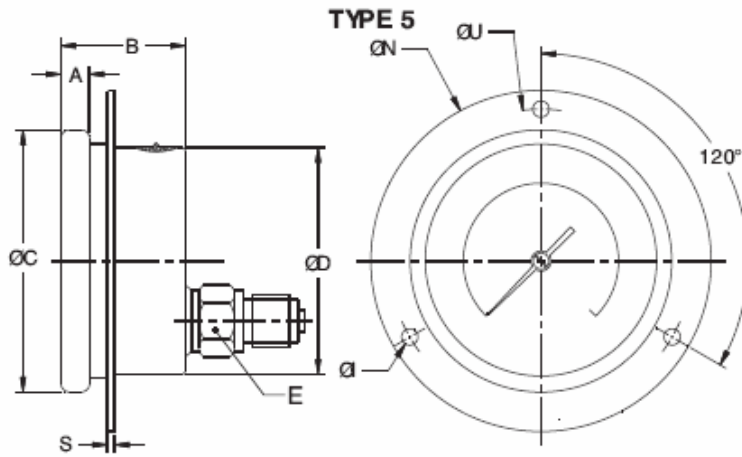
ROLLING TYPE (OPTION)

NS	A	B	ØD	ØC	E	Weight in gram (With Box)
100	7	35.5	100	110	A/F 17	410.0



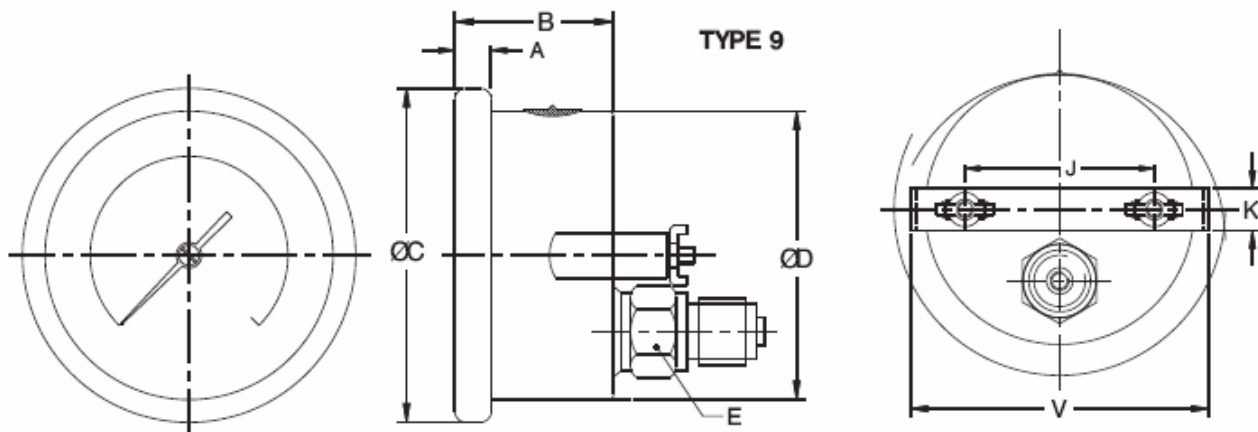
ROLLING TYPE (OPTION)

NS	A	B	ØD	ØC	E	Weight in gram (With Box)
100	7	35.5	100	110	A/F 17	410.0



ROLLING TYPE (OPTION)

NS	A	B	ØD	ØC	E	S	ØI	ØN	ØU	Weight in gram (With Box)
100	2.5	35.5	100	110	A/F 17	16	134	118		490.0



ROLLING TYPE (OPTION)

NS	A	B	ØD	ØC	E	J	K	V	Weight in gram (With Box)
100	7	35.5	100	110	A/F 17	66.5	16	106	500.0

RANGE TABLE

Note : Manufacturer offers National / International Scales like kPa, Mpa, bar, psi, kg/cm² & Dual Scale like kPa with psi, kPa with bar, bar with psi or Equivalent scales as per the requirement can be provided on request.

Following are the example tables for kg/cm² & psi scales

PRESSURE RANGE

SINGLE SCALE with kg/cm ²					
RANGE	RANGE	RANGE	RANGE	RANGE	RANGE
0/1	0/4	0/16	0/60	0/250	
0/1.6	0/6	0/25	0/100	0/400	
0/2.5	0/10	0/40	0/160		
DUAL SCALE PSI with kg/cm ²					
RANGE (IN PSI)	RANGE (kg/cm ²)	RANGE (IN PSI)	RANGE (kg/cm ²)	RANGE (IN PSI)	RANGE (kg/cm ²)
0/15	1	0/300	21	0/3000	210
0/30	2	0/400	28	0/4000	280
0/60	4	0/500	35	0/5000	350
0/100	7	0/600	40	0/6000	400
0/150	10	0/1000	70		
0/200	14	0/1500	100		
		0/2000	140		

VACUUM & COMPOUND RANGE

DUAL SCALE					
Range	Range	Range	Range	Range	Range
inHg with PSI	mmHg with kg/cm ²	inHg with PSI	mmHg with kg/cm ²	inHg with PSI	mmHg with kg/cm ²
-30/0	-760/0	-30/60	-760/3	-30/200	-760/15
-30/15	-760/1	-30/100	-760/6	-30/300	-760/20
-30/30	-760/2	-30/150	-760/9	-30/350	-760/24
SINGLE SCALE kg/cm ²					
RANGE	RANGE	RANGE	RANGE	RANGE	RANGE
-1/0	-1/1.5	-1/5	-1/15	-1/15	-1/24
-1/0.6	-1/3	-1/9	-1/24		

FREON (WITH TEMPERATURE SCALE)

AMMONIA (WITH TEMPERATURE SCALE)

DUAL SCALE (Inch Hg to PSI)		RANGE (kg/cm ²)	RANGE (psi)
RANGE	RANGE		
-30/150	0-300	-1 to 12.5	-30 - 150
-30/300	0-500	-1 to 16	-30 - 300
		-1 to 25	0 - 300

ACCESSORIES†

EC GAUGE COCK	* NEEDLE VALVE
ED GAUGE SAVER	EG SNUBBER
	EH SIPHON

† Refer Datasheet for complete specifications * Refer catalogue for valves and manifolds

HOW TO ORDER

BASIC MODEL

AV

NOMINAL SIZE

F 100mm

F

TYPE OF MOUNTING

- 1 WALL / SURFACE / PROJECTION MOUNTING WITH BOTTOM ENTRY
- 2 DIRECT BOTTOM ENTRY
- 3 DIRECT LOWER BACK ENTRY
- 4 DIRECT CENTRE BACK ENTRY
- 5 FLUSH PANEL BACK ENTRY WITH FRONT FLANGE
- 9 BACK ENTRY WITH MOUNTING BRACKET

5

GAUGE CONNECTION

- | | | |
|---------------------------|---------------------------|-------------------|
| 2BM 1/4" BSP (M) | 3NM 3/8" NPT (M) | 4TM 1/2" BSPT (M) |
| 3BM 3/8" BSP (M) STANDARD | 4NM 1/2" NPT (M) STANDARD | |
| 4BM 1/2" BSP (M) STANDARD | 2TM 1/4" BSPT (M) | |
| 2NM 1/4" NPT (M) | 3TM 3/8" BSPT (M) | |

4NM

Note : Connections like PT/PF/Flaired /UNF/G/R etc.can be provided on request.
Non standard connections can be provided through adaptors.

RANGE

REFER TABLES

0-10
kg/cm²

OPTIONS

FOR NON STANDARD PRODUCTS/OPTIONAL ITEMS, PLEASE CONTACT FACTORY FOR DELIVERY AND MINIMUM QUANTITY OF ORDER.

- | | |
|--|---|
| PY DAMPENING LIQUID GLYCERINE FILLED | FG FILLABLE LIQUID GLYCERINE |
| PW FIVE POINT CALIBRATION CERTIFICATE | ZC FREON RANGE (WITH TEMPERATURE SCALE) |
| RH CUSTOM DESIGNED DIAL | ZD AMMONIA RANGE (WITH TEMPERATURE SCALE) |
| SG OXYGEN SERVICE (WITHOUT DAMPENING LIQUID) | ZG MOVEMENT IN AISI 304 SS |
| SX SS TAG PLATE | |
| QB INTEGRAL DAMPENING SCREW IN AISI 316 SS | |
| SQ CASE WITH ROLLING TYPE BEZEL | |

SX

* GASKET & PLUG OF VITON / NBR

Ordering Example:

AV - F - 5 - 4NM - 0-10kg/cm² - SX

Note : ● Due to continuous improvement, the specification may vary from time to time.