

SOLID FRONT



SPECIAL FEATURES

- STAINLESS STEEL CASE & MEASURING SYSTEM
- SOLID FRONT DESIGN FEATURES BAFFLE WALL INTERPOSED BETWEEN THE SENSING SYSTEM & THE WINDOW, AND A PRESSURE RELIEVING BACK FOR INCREASED SAFETY.
- DRY OR LIQUID FILLED.
- STANDARD FOLLOWED IN GENERAL
- EN - 837-1



APPLICATIONS

OIL & GAS CHEMICALS / REFINERY / FERTILIZER / PETROCHEMICALS / PHARMACEUTICAL / POWER / CEMENT / SUGAR / FOOD & BEVERAGES / PULP & PAPER & ALLIED PROCESS INDUSTRIES. FOR FLUID & GASEOUS MEDIA

STANDARD VERSION : 63mm

Accuracy	: ±1.6% of F.S.
Ambient temperature	: - 20°C to + 65°C
Process temperature	: Max 270°C
Operating pressure	: 75 % of the Scale Value
Over pressure limit	: 30 % for Pressure Ranges upto 400kg/cm ²
Case	: AISI 304 SS
Ring	: AISI 304 SS, Bayonet Lock
Bourdon	: AISI 316 SS
Socket	: AISI 316 SS
Movement	: AISI 304 SS
Joints	: Tig Argon Arc Welding
Protection	: IP 65
Dial	: Aluminium, black graduation on white background
Pointer	: Aluminium, black Coloured Fixed
Window	: Safety Glass
Blow off Disc	: PVDF
Gasketz	: Neoprene

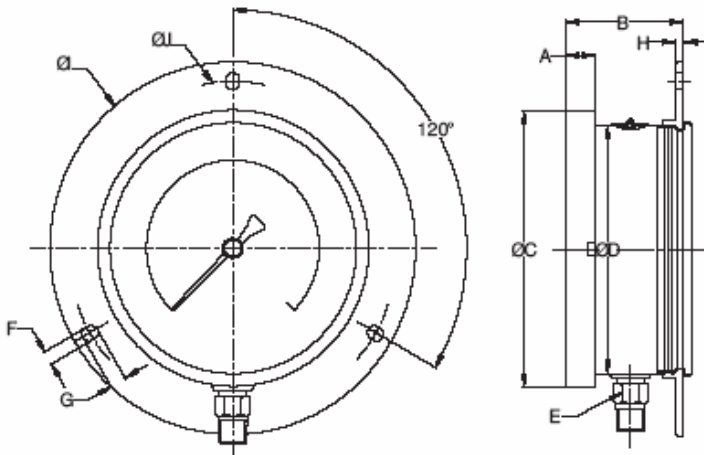
GLYCERINE FILLED VERSION (OPTION PY)

Accuracy	: ± 1.6% of F.S.
Ambient Temperature	: Maximum 65°C
Protection	: IP 65
Window	: Safety Glass
Dampening Liquids	: Glycerine 98% (Others available as Option)
Other Features	: Refer Specification of Standard Version

DRY BUT FILLABLE VERSION

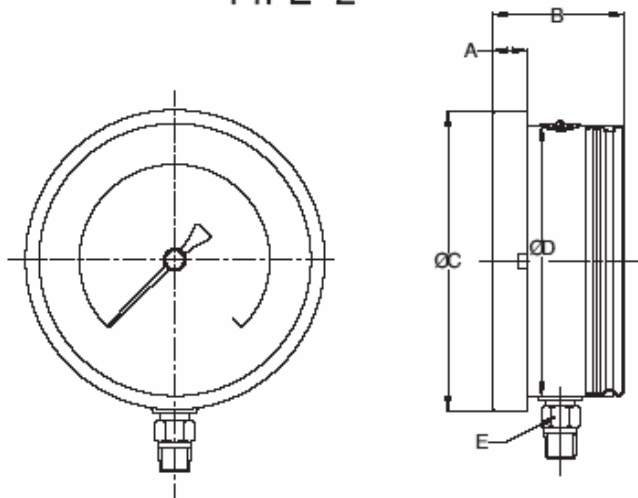
Option Code	: Fillable Dampening Liquid
FG	: Fillable Glycerine 98%
FS	: For Silicon Oil

TYPE 1



NS	A	B	ØC	ØD	E	F	G	H	Ø	ØJ	Weight in gram (With Box)
63	9.50	44.50	69.50	62.50	A / F 14	3.50	5.0	1.0	85.50	76.0	325 gram.

TYPE 2



NS	A	B	Ø	ØD	E	Weight in gram (With Box)
63	9.50	44.50	69.50	62.50	A / F 14	300 gram.

Notes : • Drawings are not to scale. • All Dimensions are in mm. • NS = Nominal Size.

RANGE TABLE

Note : Manufacturer offers National / International Scales like kPa, Mpa, bar, psi, kg/cm² & Dual Scale like kPa with psi, kPa with bar, bar with psi or Equivalent scales as per the requirement can be provided on request.

Following are the example tables for kg/cm² & psi scales

PRESSURE RANGE

SINGLE SCALE					
RANGE (kg/cm ² or bar)		RANGE		RANGE	
0/1		0/6		0/25	
0/1.6		0/10		0/40	
0/2.5		0/16		0/60	
				0/100	

DUAL SCALE (PSI with kg/cm ²) or PSI with bar					
RANGE (PSI)	RANGE (kg/cm ²)	RANGE (PSI)	RANGE (kg/cm ²)	RANGE (PSI)	RANGE (kg/cm ²)
0/15	1	0/300	21	0/3000	200
0/30	2	0/400	28	0/4000	280
0/60	4	0/500	35	0/5000	350
0/100	7	0/600	42	0/6000	400
0/150	10	0/1000	70		
0/200	14	0/1500	100		
		0/2000	140		

VACUUM & COMPOUND RANGE

DUAL SCALE					
Range	Range	Range	Range	Range	Range
inHg with PSI	mmHg with kg/cm ²	inHg with PSI	mmHg with kg/cm ²	inHg with PSI	mmHg with kg/cm ²
- 30/0	- 760 / 0	- 30/60	- 760 / 4	- 30/200	- 760 / 15
- 30/15	- 760 / 1	- 30/100	- 760 / 6	- 30/300	- 760 / 20
- 30/30	- 760 / 2	- 30/150	- 760 / 9		

SINGLE SCALE (kg/cm ²)			
RANGE		RANGE	
- 1/0		- 1/1.5	
- 1/0.6		- 1/3	

ACCESSORIES †

EA ANTI VIBRATION SPRING	EE MANIFOLD	DX DIAPHRAGM SEAL
EB COOLING TOWER	EF NEEDLE VALVE	
EC GAUGE COCK	EG SNUBBER	
ED GAUGE SAVER	EH SYPHON	

DAMPENING LIQUIDS

DAMPENING LIQUIDS	OPTION CODE	AMBIENT TEMPERATURE LIMIT	PROCESS TEMPERATURE LIMIT
Glycerine 98%	PY	+ 15 / + 65°C	+ 20 / + 65°C
Fluorolube	PX	- 45 / + 65°C	- 45 / + 70°C
Mineral Oil	PZ	- 60 / + 65°C	- 40 / + 140°C
Silicon Oil	QA	- 40 / + 65°C	- 40 / + 170°C

† Refer Datasheet for complete specifications

HOW TO ORDER

BASIC MODEL

AW

NOMINAL SIZE

D

D 63mm

TYPE OF MOUNTING

2

- 1 WALL/ SURFACE / PROJECTION MOUNTING WITH BOTTOM ENTRY
- 2 DIRECT BOTTOM ENTRY

GAUGE CONNECTION

2NM

- 2NM** 1/4" NPT (M) Std.
2BM 1/4" BSP (M) Std.
2BT 1/4" BSPT (M)

Note : Connections like PT/PF/Flaired /UNF/G/R etc.can be provided on request.
Non standard connections can be provided through adaptors.

RANGE

0-10
Kg/cm²

REFER TABLES

OPTIONS

PY

- | | |
|---|--|
| PS AISI 316 SS CASE & RING | TB HELIUM LEAK TEST |
| PW FIVE POINT CALIBRATION CERTIFICATE | FS FILLABLE LIQUID SILICON OIL* |
| RH CUSTOM DESIGNED DIAL | FG FILLABLE LIQUID GLYCERINE |
| RZ TOUGHENED GLASS | QB DAMPENING SCREW IN AISI 316 SS |
| SG OXYGEN SERVICES (WITHOUT OPTION DAMPENING LIQUID) | PZ DAMPENING LIQUID MINERAL LIQUID FILLED |
| SX SS TAG PLATE | PX DAMPENING LIQUID FLOUROLUBE FILLED |
| SV SS BLOW OFF DISC | PY DAMPENING LIQUID GLYCERINE FILLED |
| | QA DAMPENING LIQUID SILICON OIL FILLED* |
| | SM WELDED SOCKET TO THE CASE |

* GASKET, BOD & PLUG OF VITON / NBR

Ordering Example:

AW - D - 2 - 2NM - 0-10kg/cm² - PY

Note: Due to continuous changes the specification may vary from time to time