

CAPSULE TYPE

AX

SPECIAL FEATURES

- STAINLESS STEEL CASE & RING
- MOST SUITABLE FOR AIR & GASEOUS APPLICATION
- COMPACT DESIGN
- MEASUREMENT FROM 25 mbar TO 600 mbar
- BOTTOM & BACK MOUNTING
- VACUUM & COMPOUND RANGES
- STANDARD FOLLOWED EN 837-3



APPLICATIONS

AIR / GASES / LIQUIDS WHICH ARE NON CORROSIVE & SUITABLE FOR BRASS INTERNALS.

SPECIFICATIONS

STANDARD VERSION : 63mm, 100mm, 125mm, 150mm

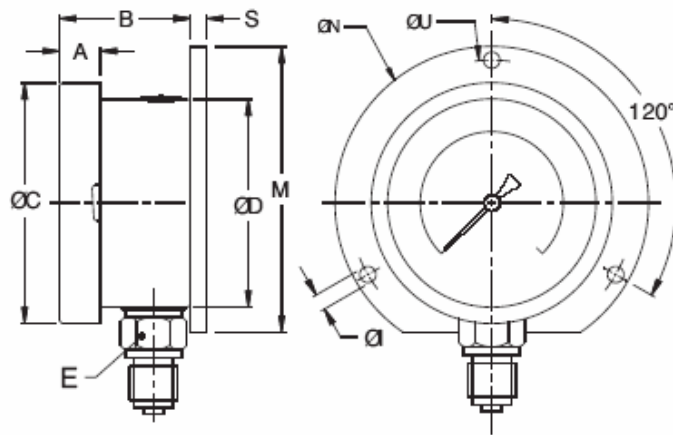
Accuracy	: $\pm 1.6\%$ of F.S.
Ambient temperature	: - 25°C to + 65°C
Process temperature	: 100°C
Operating pressure	: 75 % of the Scale Value
Over pressure limit	: Not Suitable

Case	: AISI 304 SS
Ring	: AISI 304 SS Bayonet Type
Capsule	: Copper Alloy
Socket	: Copper Alloy
Movement	: Copper Alloy
Joints	: Tin Soldering

Protection	: IP 55
Dial	: Aluminium, black graduation on white background with zero adjustment provision
Pointer	: Aluminium, black Coloured, Fixed
Window	: Sheet Glass
Gasket	: Neoprene

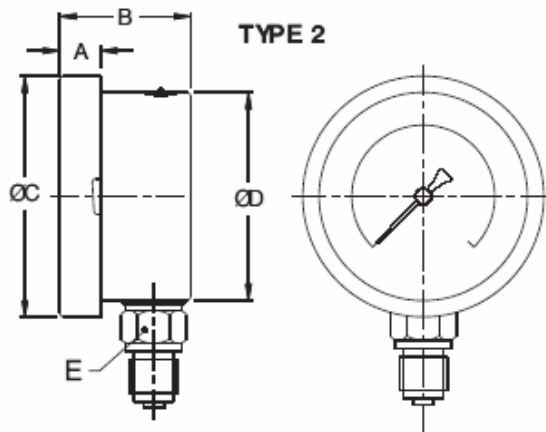
DIMENSIONS - STANDARD VERSION

TYPE 1



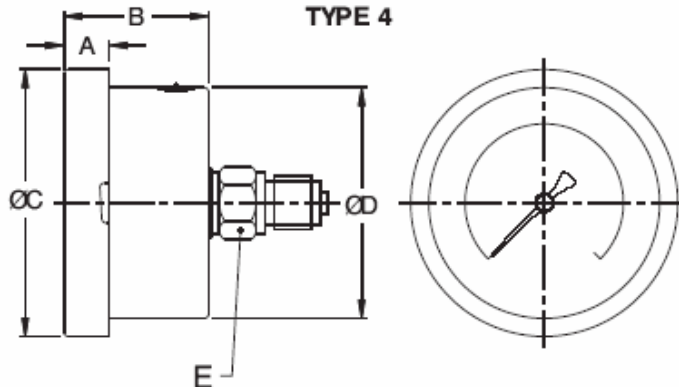
NS	A	B	ØC	ØD	E	S	ØN	ØI	ØU	M	Weight in gram (With Box)
63	12.5	46	77	66.5	AF14	5	88	5	76	80	305.0

TYPE 2

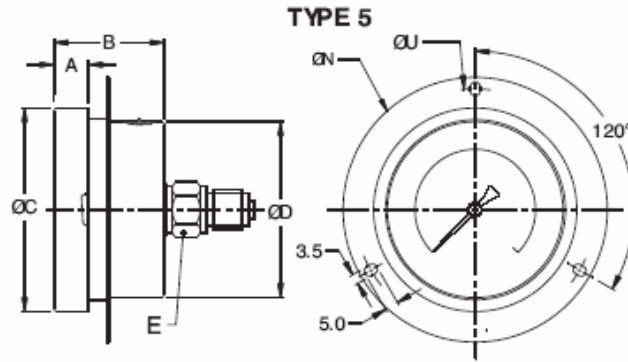


NS	A	B	ØC	ØD	E	Weight in gram (With Box)
63	12.5	46	77	66.5	AF14	255.0

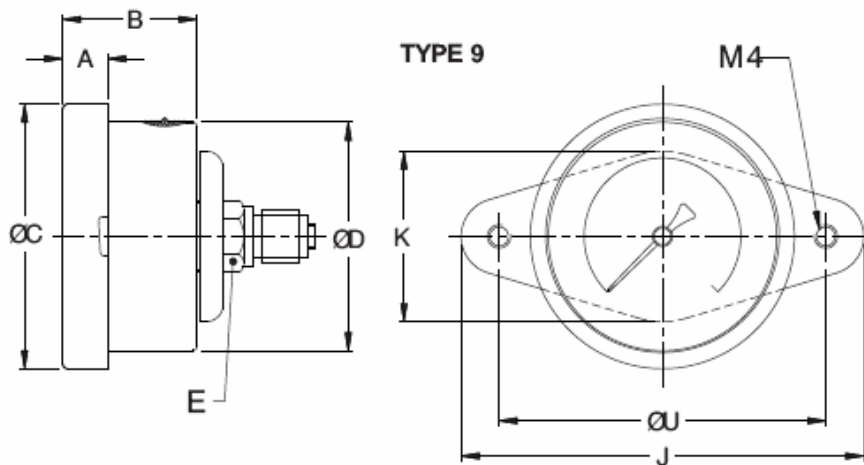
TYPE 4



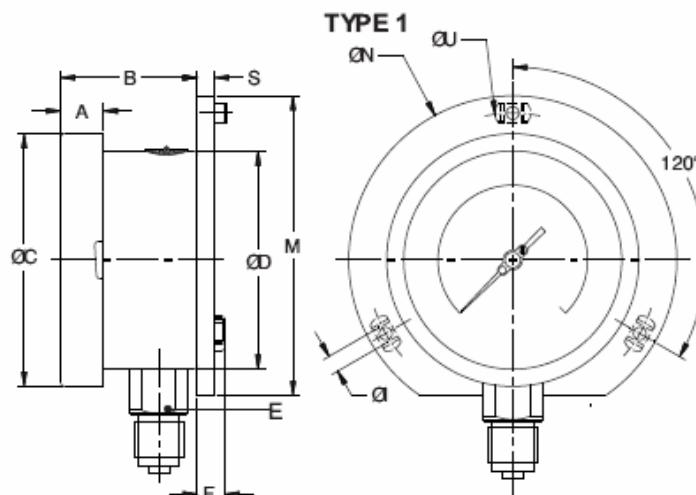
NS	A	B	ØC	ØD	E	Weight in gram (With Box)
63	12.5	46	77	66.5	AF14	245.0



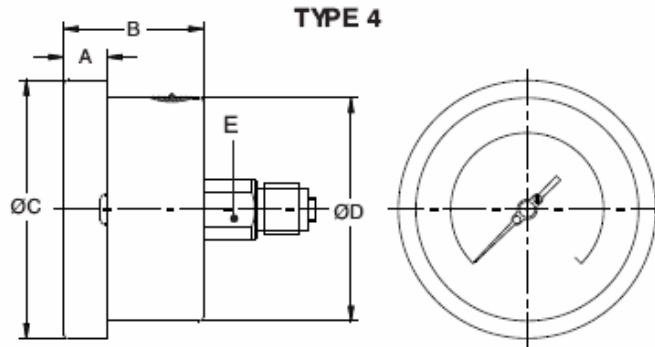
NS	A	B	ØC	ØD	E	Weight in gram (With Box)
63	12.5	46	77	66.5	A/F 14	235.0



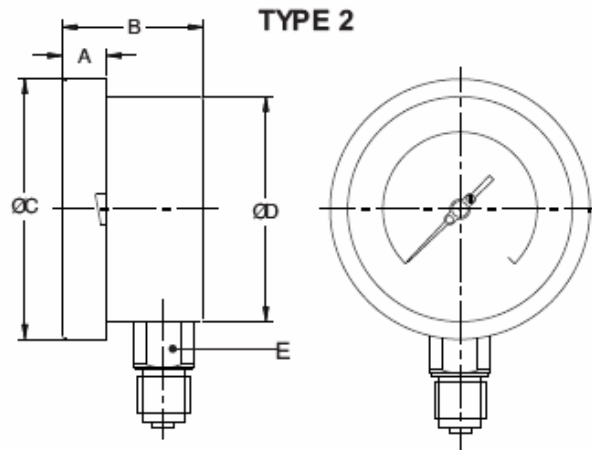
NS	A	B	ØC	ØD	E	J	K	ØU	Weight in gram (With Box)
63	12.5	46	77	66.5	A/F 14	91	38	70.5	305.0



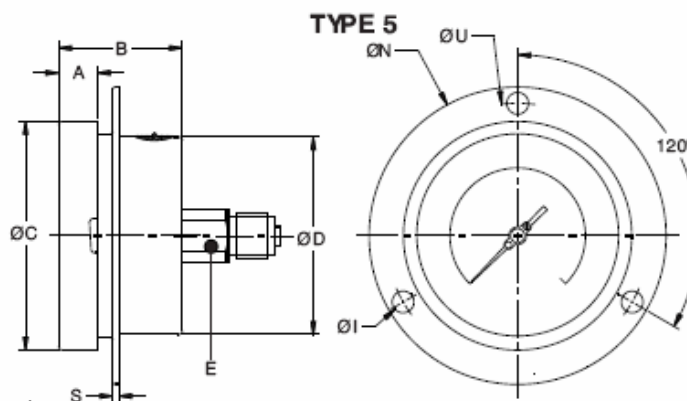
NS	A	B	ØC	ØD	E	M	S	F	Ø	ØN	ØU	Weight in gram (With Box)
100	12.5	48	110	100	22	128	6	14.5	6	134	118	665.0
125	11	48	131	119	22	-	4	15	6	152	138	730.0
150	15	49	161	149	22	177	5.5	15	6	186	168	1010.0



NS	A	B	ØC	ØD	E	Weight in gram (With Box)
100	12.5	48	110	100	22	585.0
125	11	48	131	119	22	640.0
150	15	49	161	149	22	1015.0

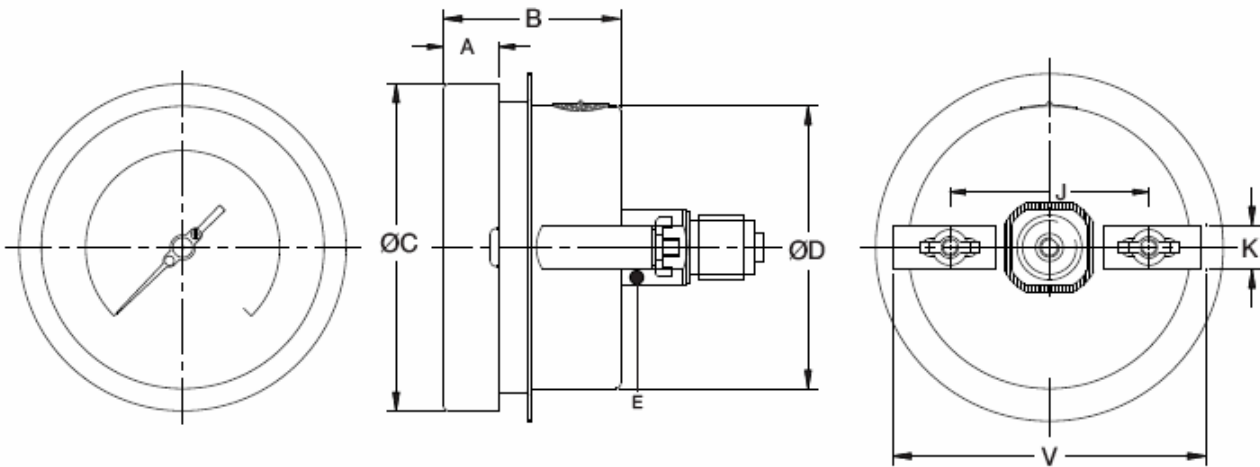


NS	A	B	ØC	ØD	E	Weight in gram (With Box)
100	12.5	48	110	100	22	580.0
125	11	48	131	119	22	645.0
150	15	49	161	149	22	930.0



NS	A	B	ØC	ØD	E	S	ØI	ØN	ØU	Weight in gram (With Box)
100	12.5	48	110	100	22	1	6	134	118	665.0
125	11	48	131	119	22	4	6	152	138	740.0
150	15	49	161	149	22	5	6	186	168	1025.0

TYPE 9



NS	A	B	ØC	ØD	E	J	K	V	Weight in gram (With Box)
100	12.5	48	110	100	22	66.5	16	106	705.0
125	11	48	131	119	22	80	16	129.5	800.0
150	15	49	161	149	22	103.5	16	158	1100.0

Notes : • Drawings are not to scale. • All Dimensions are in mm. • NS = Nominal Size.

RANGE TABLE

Note : Manufacturer offers National / International Scales like mbar, kPa, Mpa, inWC, MWC & Dual Scale or Equivalent scales as per the requirement can be provided on request. **Following are the example tables for mmWC scales**

PRESSURE RANGE

SINGLE SCALE - mmWC				
RANGE	RANGE	RANGE	RANGE	RANGE
0/250	0/600	0/1 600	0/2500	0/6000
0/400	0/1000	0/2000	0/4000	

VACUUM & COMPOUND RANGE

SINGLE SCALE - mmWC (Vacuum)				
RANGE	RANGE	RANGE	RANGE	RANGE
- 250/0	- 600/0	- 1600/0	- 2500/0	- 6000/0
- 400/0	- 1000/0	- 2000/0	- 4000/0	
SINGLE SCALE - mmWC (Compound)				
RANGE	RANGE	RANGE	RANGE	RANGE
- 100/150	- 200/400	- 600/1000	- 1000/1 500	- 2000/4000
- 150/250	- 400/600	- 800/1200	- 1500/2500	

ACCESSORIES†

EC GAUGE COCK * NEEDLE VALVE EG SNUBBER EH SIPHON

† Refer Datasheet for complete specifications * Refer catalogue for valves and manifolds

HOW TO ORDER

BASIC MODEL

CODE	D	F	G	H
NOMINAL SIZE (mm)	63	100	125	150

TYPE OF MOUNTING

- 1 WALL / SURFACE / PROJECTION MOUNTING WITH BOTTOM ENTRY
- 2 DIRECT BOTTOM ENTRY
- 4 DIRECT CENTER BACK ENTRY
- 5 FLUSH PANEL BACK ENTRY WITH FRONT FLANGE
- 9 BACK ENTRY WITH MOUNTING BRACKET

GAUGE CONNECTION

2BM	1/4" BSP (M) STANDARD FOR NS 63 mm	2NM	1/4" NPT (M) STANDARD FOR NS 63mm
3BM	3/8" BSP (M) STANDARD	3NM	3/8" NPT (M)
4BM	1/2" BSP (M) STANDARD FOR NS 100, 150 mm	4NM	1/2" NPT (M)

Note : Connections like PT/PF/Flaired /UNF/G/R etc. Can be provided on request.
Non standard connections can be provided through adaptors.

RANGE

REFER TABLES

OPTIONS

FOR NON STANDARD PRODUCTS/OPTIONAL ITEMS, PLEASE CONTACT FACTORY FOR DELIVERY AND MINIMUM QUANTITY OF ORDER.

PS	ANSI 316 CASE & BEZEL	RX	SHATTERPROOF / SAFETY GLASS
PW	FIVE POINT CALIBRATION CERTIFICATE	RZ	TOUGHENED GLASS
QB	INTEGRAL DAMPENING SCREW (BRASS)	SG	OXYGEN SERVICE
RH	CUSTOM DESIGNED DIAL	SW	DIAL TAG MARKING (Not for NS 63 mm)
RW	PLEXI GLASS	SX	SS TAG PLATE

Ordering Example:

AX - H - 2 - 4BM - 0/600mmWC - PW

Note : ● Due to continuous improvement, the specification may vary from time to time.

AX

H

2

4BM

0-600
mmWC

PW