

DIAPHRAGM TYPE (63mm)



SPECIAL FEATURES

- STAINLESS STEEL CASE & MEASURING SYSTEM
- DRY OR LIQUID FILLED
- ACCURACY UPTO $\pm 1.6\%$
- STANDARD FOLLOWED EN 837-3
- REDUCE THE EFFECT OF VIBRATION / PULSATION
- PROVIDES BEST HYGIENE FACTOR

APPLICATIONS

THESE INSTRUMENTS ARE DESIGNED FOR SANITARY, FOOD PROCESS & PHARMACEUTICAL INDUSTRIES. THE ABSENCE OF INTERSTICES & THE MIRROR FINISHING OF THE COMPONENTS ASSURE THE BEST HYGIENE. THE PROCESS CONNECTION IS A DIAPHRAGM SEAL INTEGRALLY BUILT WITH THE PROCESS GAUGE.



SPECIFICATIONS

STANDARD VERSION : 63mm

Accuracy	: $\pm 1.6\%$ of F.S.
Ambient temperature	: + 65°C
Process temperature	: -20°C TO 140°C
Operating pressure	: 75% of the Scale Value
Over pressure limit	: 30% of F.S.

Case	: AISI 304 SS (Polished)
Ring	: AISI 304 SS, (Polished) Bayonet Type
Socket	: AISI 316 SS
Bourdon	: AISI 316 SS
Movement	: AISI 304 SS
Chamber	: AISI 316 SS
Joints	: Tig Argon Arc Welding
Diaphragm	: AISI 316L SS (Polished)

Protection	: IP 65
Dial	: Aluminium, black graduation on white background
Pointer	: Aluminium, black coloured, fixed
Window	: Plexi Glass
Gasket	: Silicon rubber
Filling Plug	: Neoprene
Sealing Fluid	: Food Grade Oil

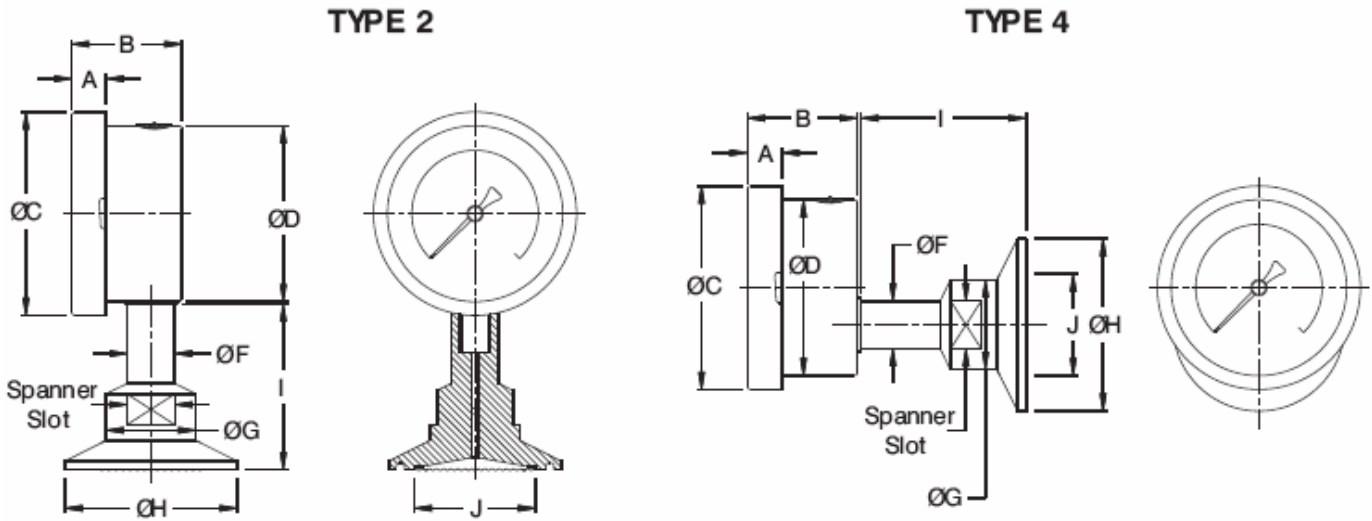
GLYCERINE FILLED VERSION (OPTION PY)

Process Temperature	: Maximum 65°C
Ambient Temperature	: Maximum 65°C
Window	: Plexi Glass
Dampening Liquids	: Glycerine 98%
Other Features	: Refer Specification of Standard Version

DRY BUT FILLABLE VERSION

Option Code	: Fillable Dampening Liquid
FG	: For Glycerine 98%

DIMENSIONS - STANDARD VERSION

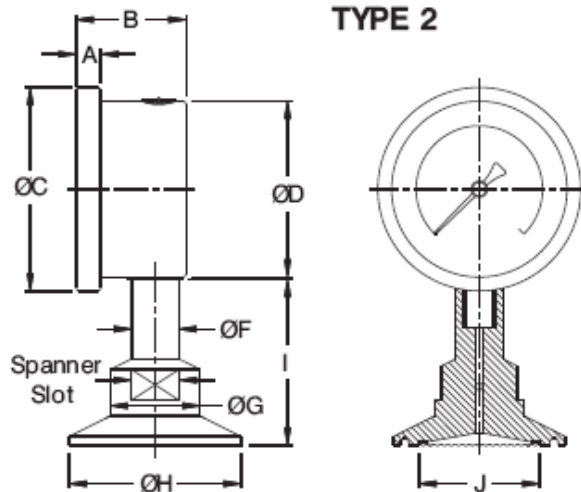


BAYONET TYPE (STANDARD)

Triclamp Size	A	B	ØC	ØD	ØF	ØG	ØH	I	J	Weight in gram (With Box)
1½"	9	30	70	62	14	26	50	49	30	350.0
2"	9	30	70	62	14	26	64	49	35	400.0
2½"	9	30	70	62	14	26	77.5	49	50	450.0

BAYONET TYPE (STANDARD)

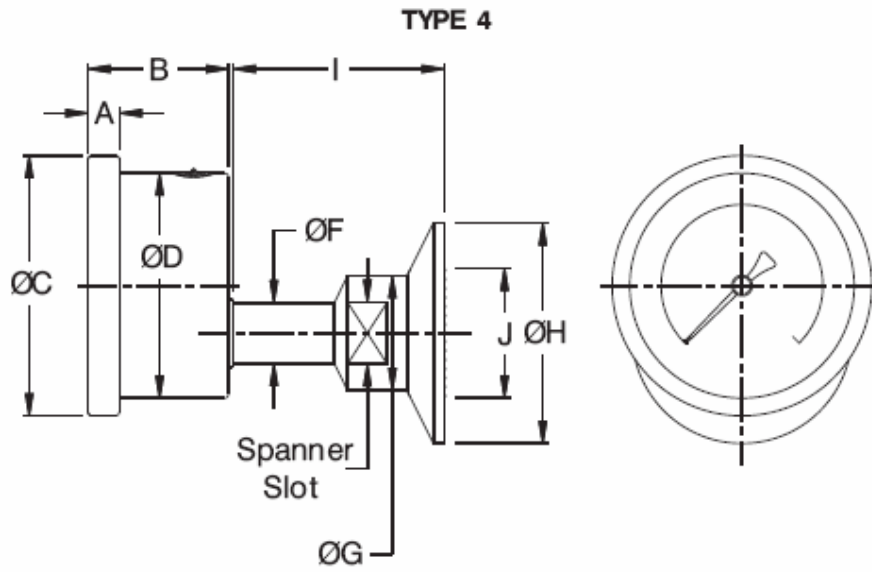
Triclamp Size	A	B	ØC	ØD	ØF	ØG	ØH	I	J	Weight in gram (With Box)
1½"	9	30	70	62	14	26	50	49	30	360.0
2"	9	30	70	62	14	26	64	49	35	410.0
2½"	9	30	70	62	14	26	77.5	49	50	460.0



ROLLING TYPE (OPTION)

Triclamp Size	A	B	ØC	ØD	ØF	ØG	ØH	I	J	Weight in gram (With Box)
1½"	6.5	30	70	62	14	26	50	49	30	335.0
2"	6.5	30	70	62	14	26	64	49	35	375.0
2½"	6.5	30	70	62	14	26	77.5	49	50	430.0

Notes : • Drawings are not to scale. • All Dimensions are in mm.



ROLLING TYPE (OPTION)

Triclamp Size	A	B	ØC	ØD	ØF	ØG	ØH	I	J	Weight in gram (With Box)
1½"	6.5	30	70	62	14	26	50	49	30	345.0
2"	6.5	30	70	62	14	26	64	49	35	385.0
2½"	6.5	30	70	62	14	26	77.5	49	50	440.0

RANGE TABLE

Note : Manufacturer offers National / International Scales like kPa, Mpa, bar, psi, kg/cm², mbar, mmWC, inWC & Dual Scale like kPa with psi, kPa with bar, bar with psi or Equivalent scales as per the requirement can be provided on request

Following are the example tables for kg/cm² & psi scales

PRESSURE & COMPOUND RANGE

RANGE (PSI with kg/cm ²)		RANGE PSI	RANGE kg/cm ²
RANGE PSI	RANGE kg/cm ²	RANGE PSI	RANGE kg/cm ²
0/30psi	0/2 kg/cm ²	0/600 psi	0/40 kg/cm ²
0/60 psi	0/4 kg/cm ²		
0/100 psi	0/7 kg/cm ²		
0/150 psi	0/10 kg/cm ²		
0/200 psi	0/14 kg/cm ²		
0/300 psi	0/21 kg/cm ²		
0/400 psi	0/28 kg/cm ²		
0/500 psi	0/35 kg/cm ²		

NOTE: Compound ranges are available on request. Please consult factory.

HOW TO ORDER

BASIC MODEL

CODE **D**
NOMINAL SIZE 63mm

TYPE OF MOUNTING **3**
 DIRECT BOTTOM ENTRY DIRECT LOWER BACK ENTRY

DIAPHRAGM

UJ AISI 316L SS

PROCESS CONNECTION

YN 1 ½" SANITARY SEAL IN AISI 316 SS **YP** 2 ½" SANITARY SEAL IN AISI 316 SS
YO 2" SANITARY SEAL IN AISI 316 SS

CLAMP WITH GASKET

ZO 1 ½" CLAMP IN AISI 304 **ZQ** 2 ½" CLAMP IN AISI 304 SS
ZP 2" CLAMP IN AISI 304

COUPLING PARTS

KB SUITABLE FOR 1 ½" SANITARY SEAL IN AISI 316 **KD** SUITABLE FOR 2 ½" SANITARY SEAL IN AISI 316
KC SUITABLE FOR 2" SANITARY SEAL IN AISI 316

Note : Connections like PT/PF/Flaired /UNF/G/R etc.can be provided on request
 Non standard connections can be provided through adaptors.

RANGE

REFER TABLES

OPTIONS

FOR NON STANDARD PRODUCTS/OPTIONAL ITEMS, PLEASE CONTACT FACTORY FOR DELIVERY AND MINIMUM QUANTITY OF ORDER.

RH CUSTOM DESIGNED DIAL	RX SHATTERPROOF / SAFETY GLASS (FOR BAYONET TYPE DESIGN)
SG OXYGEN SERVICE (WITHOUT DAMPENING LIQUIDS)	RZ TOUGHENED GLASS (FOR BAYONET TYPE DESIGN)
PS AISI 316 SS CASE & BEZEL	SX SS TAG PLATE
PW FIVE POINT CALIBRATION CERTIFICATE	FG FILLABLE LIQUID GLYCERINE
PY DAMPENING LIQUID GLYCERINE FILLED	SQ CASE WITH ROLLING TYPE BEZEL

Ordering Example:

AY - D - 2 - UJ - YN - ZO - KB - 0/10kg/cm² - PY

Note : • Due to continuous improvement, the specification may vary from time to time.

AY

D

2

UJ

YN

ZO

KB

0-10
Kg/cm²

PY