

DIAPHRAGM TYPE



SPECIAL FEATURES

- FILLABLE VERSION FACILITATE USAGE IN VIBRATION ZONES TO AVOID DAMAGES TO ITS MECHANISM.
- SUITABLE TO USE IN DAIRY HOMOGENIZER MACHINES.

APPLICATIONS

THESE GAUGES ARE BEING USED IN APPLICATIONS WHERE HYGIENE IS OF PRIME IMPORTANCE LIKE DAIRY, FOOD, BEVERAGES & PHARMACEUTICAL INDUSTRIES.



SPECIFICATIONS

STANDARD VERSION : 100mm, 150mm

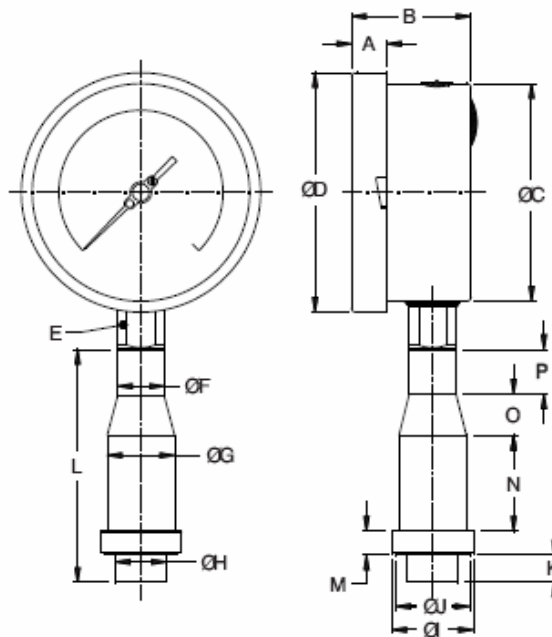
Accuracy	: ±1.6% of F.S.
Ambient temperature	: - 25°C to + 65°C
Process temperature	: Max 120°C
Operating pressure	: 75% of the Scale Value

Case	: AISI 304 SS
Ring	: AISI 304 SS, Bayonet Type
Bourdon	: AISI 316L SS
Socket	: AISI 316L SS
Movement	: AISI 304 SS
Diaphragm	: AISI 316L SS
Body	: AISI 316 SS
Joints	: Tig Argon Arc Welding

Protection	: IP 65
Dial	: Aluminium, black graduation on white background
Pointer	: Aluminium, black coloured micrometer zero adjustable
Window	: Plexi Glass
Blow off Disc	: Neoprene
Gasket	: Neoprene
Sealing liquid	: Food grade oil
Dampening Liquid	: Glycerine 98%

DIMENSIONS - STANDARD VERSION

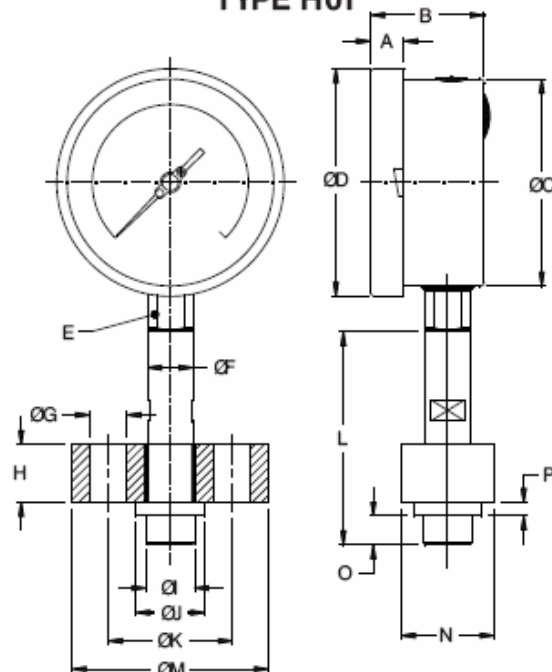
TYPE H02



WITHOUT FLANGE CONNECTION

NS	A	B	ØC	ØD	E	ØF	ØG	ØH	ØI	ØJ	K	L	M	N	O	P	Weight in gram (With Box)
100	12.5	48	100	110	22	21.5	31	23.5	37.5	34	12	106.5	11	44.5	19	20	1200.0
150	15	49	149	161	22	21.5	31	23.5	37.5	34	12	106.5	11	44.5	19	20	1440.0

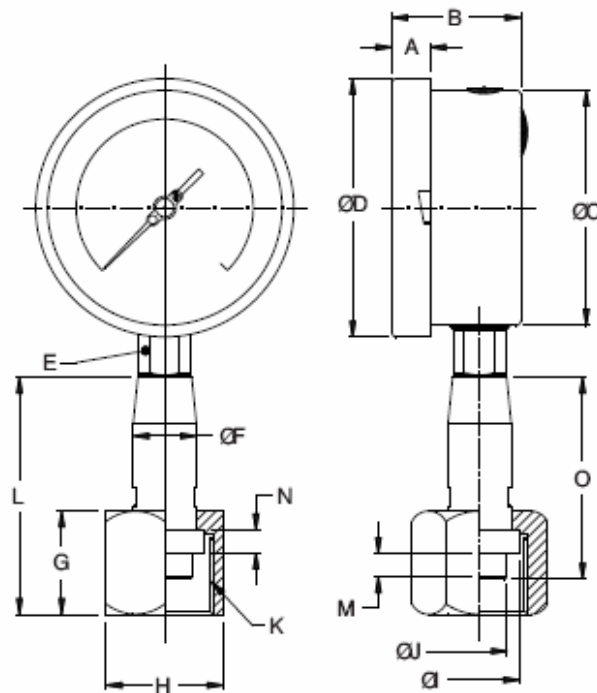
TYPE H01



FLANGE CONNECTION

NS	A	B	ØC	ØD	E	ØF	ØG	H	ØI	ØJ	ØK	L	ØM	N	O	P	Weight in gram (With Box)
100	12.5	48	100	110	22	22	18	28	23.5	33.3	60	102	95	45	13	6.5	1600.0
150	15	49	149	161	22	22	18	28	23.5	33.3	60	102	95	45	13	6.5	1840.0

TYPE H03



1 1/4" BSP(F) CONNECTION

NS	A	B	ØC	ØD	E	ØF	G	H	ØI	ØJ	K	L	M	N	O	Weight in gram (With Box)
100	12.5	48	100	110	22	27	44	A/F 50	34	23.5	1 1/4" BSP(F)	101	10	10	85	1300.0
150	15	49	149	161	22	27	44	A/F 50	34	23.5	1 1/4" BSP(F)	101	10	10	85	1540.0

HOW TO ORDER

BASIC MODEL

AZ

CODE

F

H

F

NOMINAL SIZE

100 mm

150 mm

TYPE OF MOUNTING

2

2 DIRECT BOTTOM ENTRY

GAUGE CONNECTION

H01

H01 FLANGE

H02 WITH OUTFLANGE

H03 1/4" BSP (F)

RANGE (in kg/cm² or bar)

0-250

0/160 0/600

0/250 0/1000

0/400

OPTIONS

RH

FOR NON STANDARD PRODUCTS/OPTIONAL ITEMS, PLEASE CONTACT FACTORY FOR DELIVERY AND MINIMUM QUANTITY OF ORDER.

PW FIVE POINT CALIBRATION CERTIFICATE

FG FILLABLE LIQUID GLYCERINE

SX SS TAG PLATE

TB HELIUM LEAK TEST

RH CUSTOM DESIGNED DIAL

Ordering Example:

AZ - F - 2 - H01 - 0-250 - RH

Note : ● Due to continuous improvement, the specification may vary from time to time.