

SINGLE DIAPHRAGM

BA

SPECIAL FEATURES

- CASE & MEASURING SYSTEM IN SS
- DRY OR LIQUID FILLED
- STANDARD FOLLOWED IN GENERAL EN 837 - 3



APPLICATIONS

CHEMICALS / REFINERY / NUCLEAR / AEROSPACE
/ FERTILIZER / PETROCHEMICALS / PHARMACEUTICAL
/ POWER / CEMENT / SUGAR / FOOD & BEVERAGES / PULP
PAPER & ALLIED PROCESS INDUSTRIES.

SPECIFICATIONS

STANDARD VERSION : 100mm, 150mm

Accuracy	: ±2.5% of F.S.
Ambient temperature	: - 25°C to + 65°C
Process temperature	: Max. 100°C
Static Pressure	: 70 kg/cm ² above ranges 6000 mmWC 40 kg/cm ² upto ranges 6000 mmWC
Case	: AISI 304 SS
Ring	: AISI 304 SS Bayonet Type
Diaphragm	: AISI 316L SS
Nuts & Bolts	: AISI 304 SS
Process Connection	: 2 x 1/4" NPT(F)
DPG Chamber	: AISI 304 Stainless Steel
Movement	: AISI 304 SS
Protection	: IP 65
Dial	: Aluminium, black graduation on white background
Pointer	: Aluminium, black Coloured, Micrometer Zero Adjustable
Window	: Shatter proof/Safety Glass
Case Gasket	: Neoprene
Scale Amplitude	: 180° to 270

GLYCERINE FILLED VERSION (OPTION PY)

Accuracy	: ±4% of F.S.
Ambient Temperature	: Maximum 65°C
Process Temperature	: Maximum 65°C
Window	: Plexi Glass
Dampening Liquids	: Glycerine 98%
Other Features	: Refer Specification of Standard Version

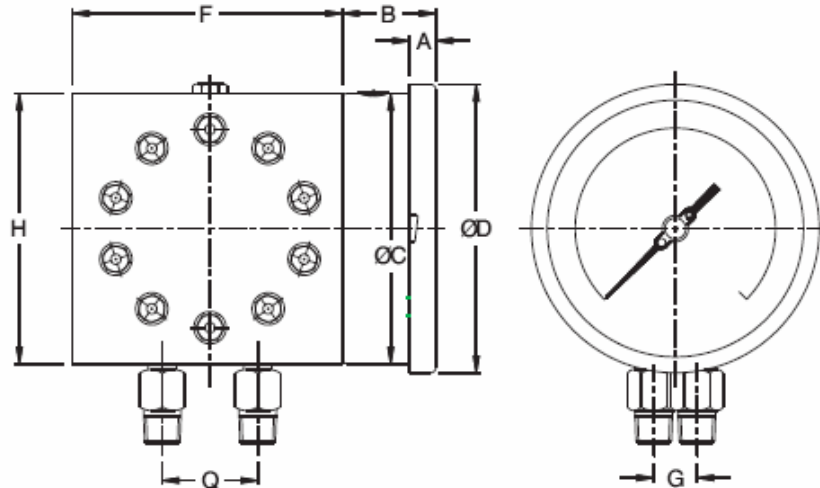
Note: Accuracy ± 2.5% of FS can be provided on request. Please refer factory.

DRY BUT FILLABLE VERSION

Option Code	Fillable Dampening Liquid
FG	: Fillable Glycerine 98%
FS	: For Silicon Oil

DIMENSIONS - STANDARD VERSION

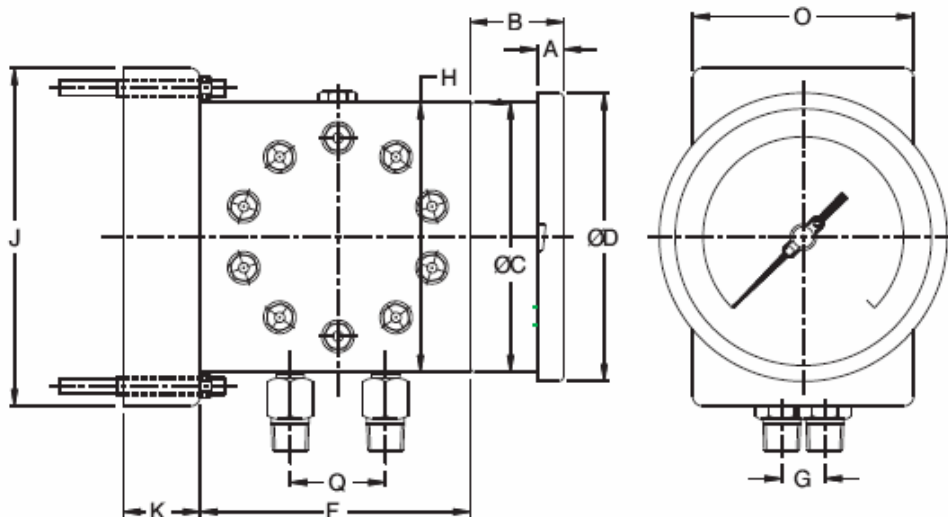
TYPE 2



LOW PRESSURE CHAMBER

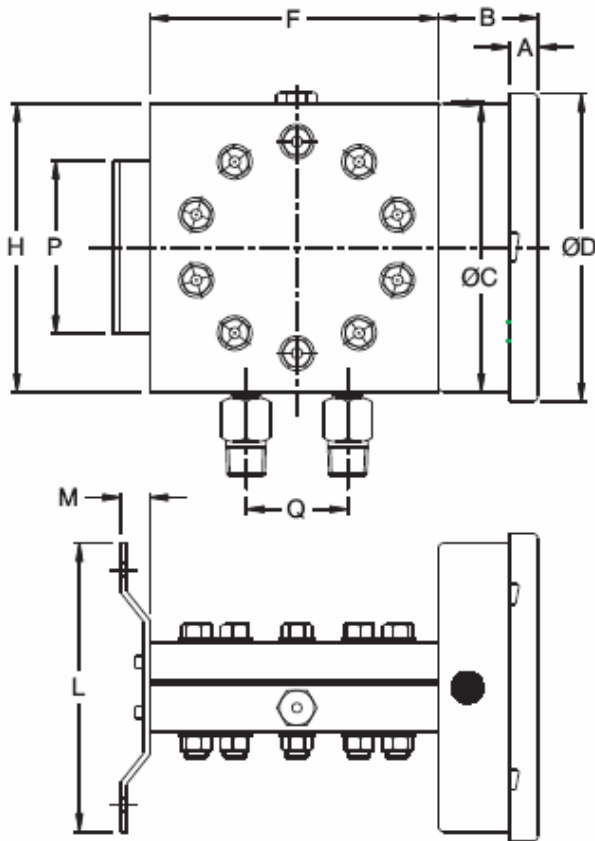
NS	A	B	ØC	ØD	F	H	G	Q	Weight in gram (With Box)
100	12.5	48	100	110	150	150	24	50	8100.0
150	15	49	149	161	150	150	24	50	8260.0

TYPE 6

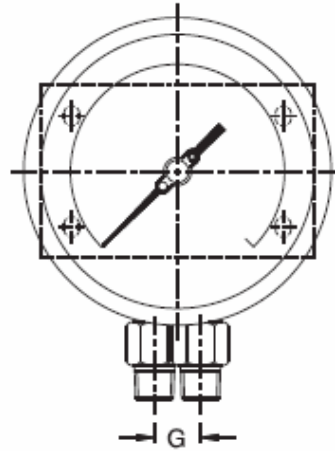


LOW PRESSURE CHAMBER

NS	A	B	ØC	ØD	F	H	G	Q	J	K	O	Weight in gram (With Box)
100	2.5	48	100	110	150	150	24	50	164	37	105	9090.0
150	15	49	149	161	150	150	24	50	164	37	105	9240.0

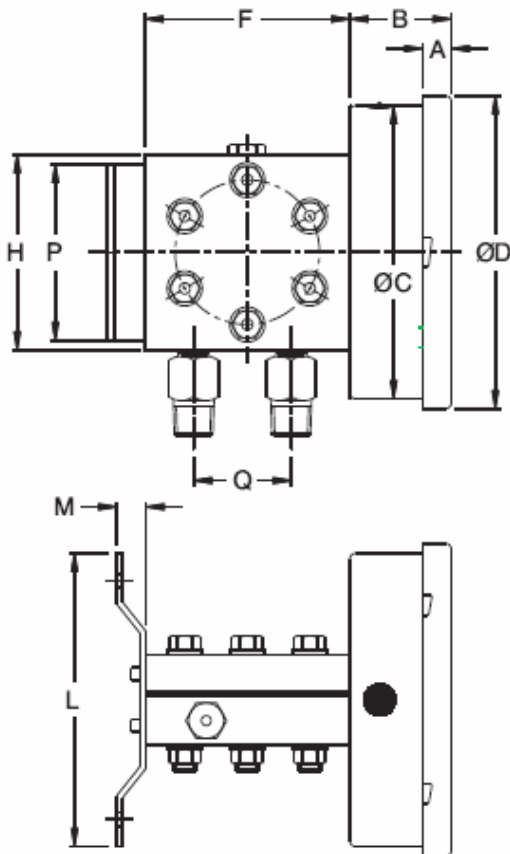


TYPE 1

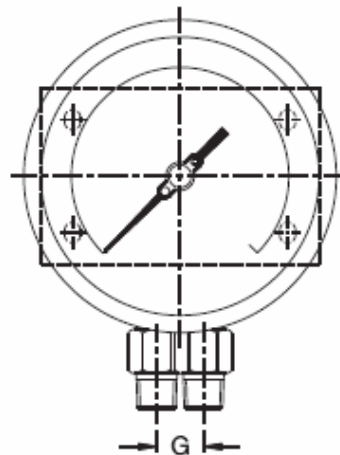


LOW PRESSURE CHAMBER

NS	A	B	ØC	ØD	F	H	G	Q	P	M	L	Weight in gram (With Box)
100	12.5	48	100	110	150	150	24	50	90	16.5	149	8410.0
150	15	49	149	161	150	150	24	50	90	16.5	149	8560.0



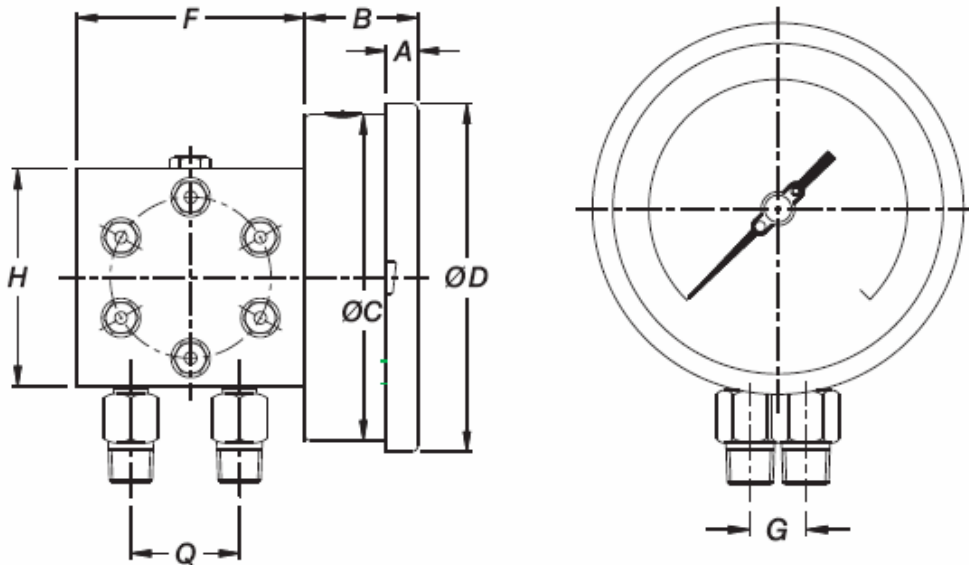
TYPE 1



HIGH PRESSURE CHAMBER

NS	A	B	ØC	ØD	F	H	G	Q	P	M	L	Weight in gram (With Box)
100	12.5	48	100	110	105	100	25	52	90	16.5	149	4610.0
150	15	49	149	161	105	100	25	52	90	16.5	149	4760.0

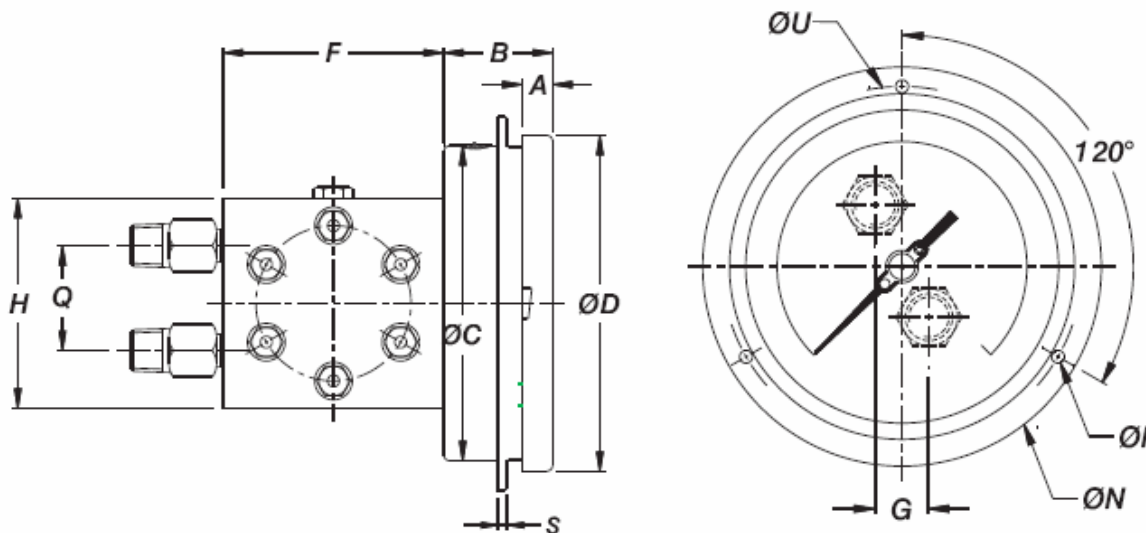
TYPE 2



HIGH PRESSURE CHAMBER

NS	A	B	ØC	ØD	F	H	G	Q	Weight in gram (With Box)
100	12.5	48	100	110	105	100	25	52	4310.0
150	15	49	149	161	105	100	25	52	4460.0

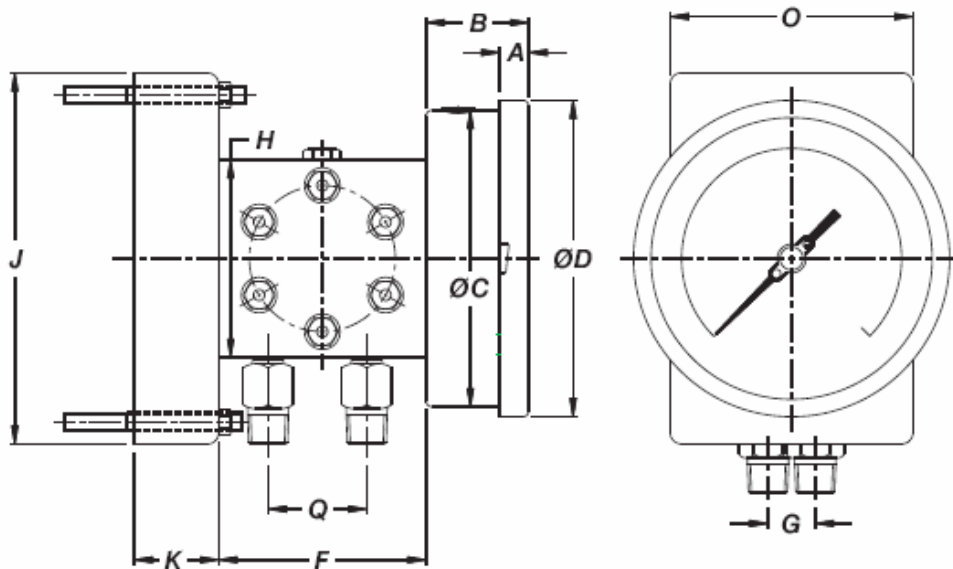
TYPE 5



HIGH PRESSURE CHAMBER

NS	A	B	ØC	ØD	S	ØI	ØN	ØU	F	H	G	Q	Weight in gram (With Box)
00	12.5	48	100	110	1	6	134	118	105	100	25	52	4455.0
50	15	49	149	161	5	6	186	168	105	100	25	52	4605.0

TYPE 6



HIGH PRESSURE CHAMBER

NS	A	B	ØC	ØD	F	H	G	Q	J	K	O	Weight in gram (With Box)
100	12.5	48	100	110	105	100	25	52	164	37	105	5290.0
150	15	49	149	161	105	100	25	52	164	37	105	5440.0

Notes : • Drawings are not to scale. • All Dimensions are in mm. • NS = Nominal Size.

RANGE TABLE

Note : Manufacturer offers National / International Scales like kPa, MPa, bar, psi, kg/cm², mbar, MWC, inWC & Dual Scale like kPa with psi, kPa with bar, bar with psi or Equivalent scales as per the requirement can be provided on request.

Following are the example tables for kg/cm² & mmWC

PRESSURE RANGE

SINGLE SCALE					
mmWC	mmWC	mmWC	kg/cm ²	kg/cm ²	kg/cm ²
0/250	0/1000	0/4000	0/1	0/2.5	0/10
0/400	0/1600	0/6000	0/1.6	0/4	0/16
0/600	0/2500		0/2	0/6	0/25

Note : Other Scale are available on customer request.

ACCESSORIES†

DX DIAPHRAGM SEALS (WITH / WITHOUT CAPILLARY) * MANIFOLDS
(For Range - 6000 mmWC & above)

† Refer Datasheet for complete specifications * Refer catalogue for Valves & Manifolds

HOW TO ORDER

BASIC MODEL

CODE	F	H
NOMINAL SIZE	100mm	150mm
TYPE OF MOUNTING		

BA

H

2

- 1 SURFACE MOUNTING WITH BOTTOM ENTRY
- 2 DIRECT BOTTOM ENTRY
- 5 FLUSH PANEL BACK ENTRY WITH FRONT FLANGE (SUITABLE FOR HIGH PRESSURE CHAMBER ONLY)
- 6 2" PIPE / YOKE MOUNTING BOTTOM ENTRY

GAUGE CONNECTION

2 NF 1/4" NPT (F) X 2 NOS. STANDARD	4BM 1/2" BSP (M) X 2 NOS.
3BM 3/8" BSP (M) X 2 NOS.	4NM 1/2" NPT (M) X 2 NOS.

2NF

Note : Connections like PTFE/Flaired /UNF/G/R etc.can be provided on request.
Non standard connections can be provided through adaptors.

RANGE

REFER TABLES

0 - 2
kg/cm²

OPTIONS

FOR NON STANDARD PRODUCTS/OPTIONAL ITEMS, PLEASE CONTACT FACTORY FOR DELIVERY AND MINIMUM QUANTITY OF ORDER.

PS AISI 316 SS CASE & BEZEL	RX SHATTERPROOF / SAFETY GLASS
PW FIVE POINT CALIBRATION CERTIFICATE	RZ TOUGHENED GLASS
PY DAMPENING LIQUID GLYCERINE	RH CUSTOM DESIGNED DIAL
QA DAMPENING LIQUID SILICON OIL *	RW PLEXI GLASS
RB DIAPHRAGM CHAMBER IN AISI SS 316	SW DIAL TAG MARKING
RD DIAPHRAGM CHAMBER IN MONEL (WITH MONEL DIAPHRAGM)	SX SS TAG PLATE
RF DIAPHRAGM IN MONEL	TF TESTED TO NACE STANDARDS
* GASKET, BOD & PLUG OF VITON / NBR	QU PTFE PROTECTION ON DIAPHRAGM
	KG ACCURACY ± 2.5% FS (FOR GLYCERINE FILLED GAUGES)

PW

ELECTRIC CONTACTS

A) MAGNETIC SNAP ACTION TYPE (230 V AC, 1 Amp.)
(48 V DC, 0.5 Amp.)

AVAILABLE ONLY ABOVE 6000 mmWC

RJ Single; NORMALLY CLOSED
RK Double; NORMALLY CLOSED + NORMALLY OPEN
RL Single; NORMALLY OPEN
RM Double; NORMALLY OPEN + NORMALLY CLOSED
RN Double; NORMALLY CLOSED
RO Double; NORMALLY OPEN
RU BOOSTER FOR CURRENT UPTO 5 Amp.
RA SPDT
RC DPDT

B) INDUCTIVE TYPE (220 V AC, 0.4 Amp.)

AVAILABLE ONLY ABOVE 400 mmWC

YW Single; NORMALLY OPEN
YV Single; NORMALLY CLOSED
YX Double; NORMALLY CLOSED + NORMALLY OPEN
YY Double; NORMALLY OPEN
YZ Double; NORMALLY CLOSED
ZA Double; NORMALLY OPEN + NORMALLY CLOSED

Ordering Example:

BA - H - 2 - 2NF - 0/2kg/cm² - PW

Note : ● Due to continuous improvement, the specification may vary from time to time.