

## BOURDON TYPE



### SPECIAL FEATURES

- ECONOMICAL VERSION
- GENERAL PURPOSE APPLICATION
- STANDARD FOLLOWED IN GENERAL IN 837-1

### APPLICATIONS

MAINLY FOR WATER / AIR APPLICATION  
/ PHARMACEUTICAL / POWER / CEMENT /  
SUGAR / FOOD & BEVERAGES  
& ALLIED PROCESS INDUSTRIES.



### SPECIFICATIONS

#### STANDARD VERSION : 40mm, 50mm

Accuracy	: ± 2.5% of F.S. (Between 10 to 90% of span)
Ambient temperature	: - 20°C to + 65°C
Process temperature	: Max 120°C
Operating pressure	: 25 % to 75 % of F.S.
Over pressure limit	: Non Applicable

Case & Ring	: AISI 304 SS (Push fit type for NS 40mm & Bayonet type for NS 50mm)
Bourdon	: Copper Alloy
Socket	: Copper Alloy
Movement	: Copper Alloy
Joints	: Tin - Copper Brazing (100 to 400 kg/cm <sup>2</sup> - Silver Alloy)

Protection	: IP 65
Dial	: Aluminium, black graduation on white background
Pointer	: Aluminium, black coloured, fixed
Window	: Plexi Glass
Filling Plug	: Neoprene
Gasket	: Neoprene

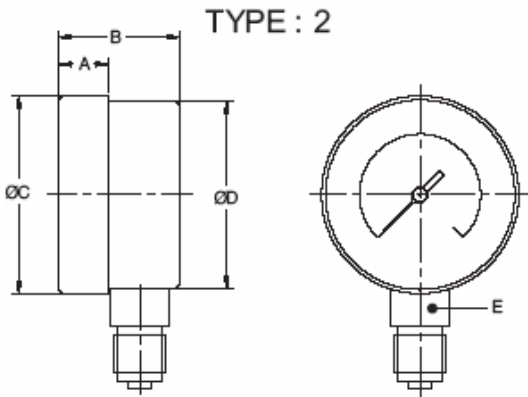
#### GLYCERINE FILLED VERSION (OPTION PY)

Accuracy	: ± 2.5% of F.S.
Ambient Temperature	: Maximum 65°C
Process Temperature	: Maximum 65°C
Window	: Plexi Glass
Dampening Liquids	: Glycerine 98%
Other Features	: Refer Specification of Standard Version

#### DRY BUT FILLABLE VERSION

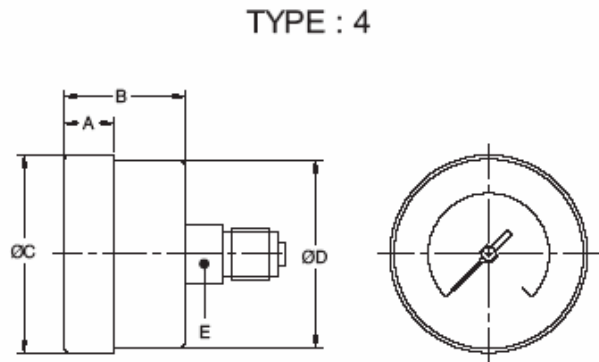
<b>Option Code</b>	<b>Fillable Dampening Liquid</b>
FG	: Fillable Glycerine 98%

## DIMENSIONS - STANDARD VERSION



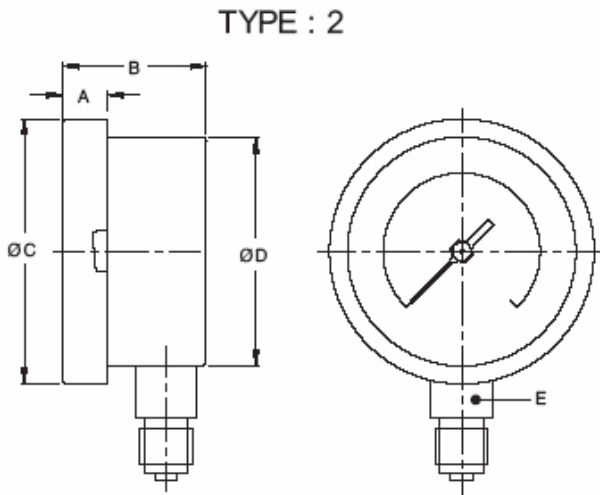
**PUSH FIT TYPE (STANDARD)**

NS	A	B	ØC	ØD	E	Weight in gram (With Box)
40	8	25	43	41	11	77.0



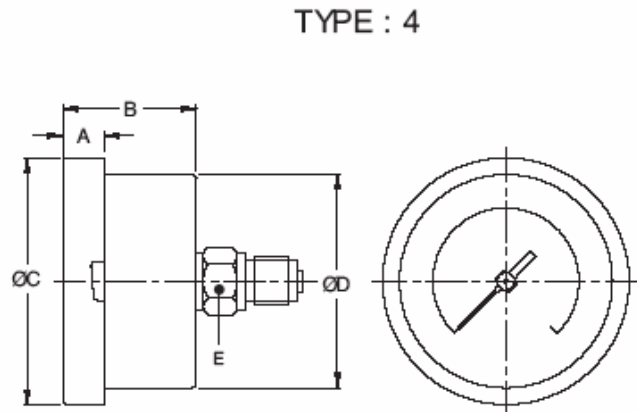
**PUSH FIT TYPE (STANDARD)**

NS	A	B	ØC	ØD	E	Weight in gram (With Box)
40	8	25	43	41	11	80.0



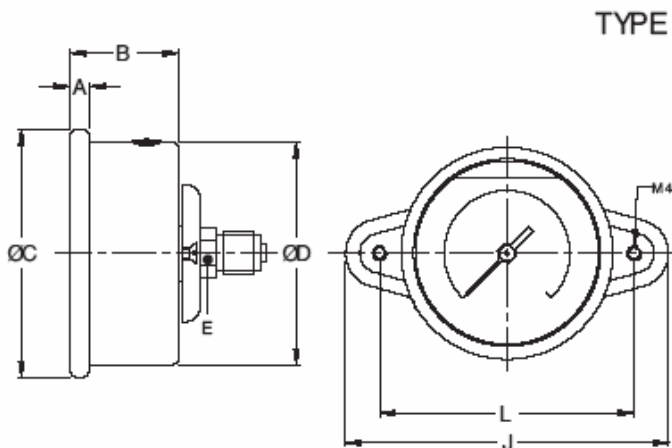
**BAYONET TYPE (STANDARD)**

NS	A	B	ØC	ØD	E	Weight in gram (With Box)
50	10	31	59	51	14	136.0



**BAYONET TYPE (STANDARD)**

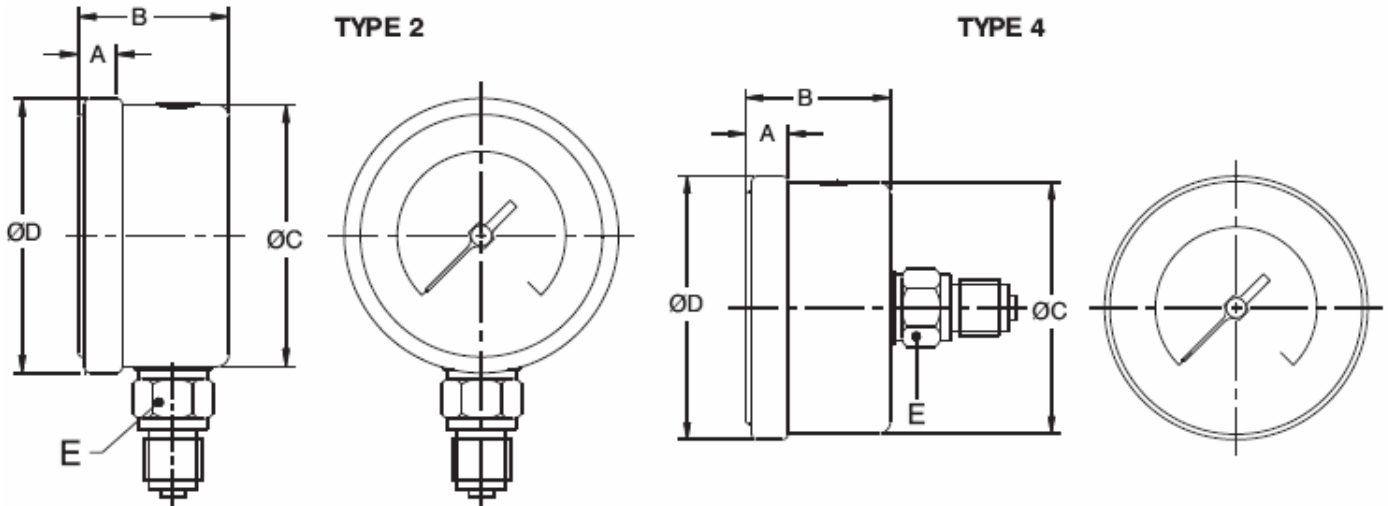
NS	A	B	ØC	ØD	E	Weight in gram (With Box)
50	10	31	59	51	14	162.0



**ROLLING TYPE FOR FILLED VERSION (STANDARD)**

NS	A	B	ØC	ØD	E	L	J	Weight in gram (With Box) L liquid filled
50	5	29	57	51.5	A/F 14	71	91	243.5

Notes : • Drawings are not to scale. • All Dimensions are in mm. • NS = Nominal Size.



ROLLING TYPE (OPTION)

NS	A	B	ØC	ØD	E	Weight in gram (With Box)
50	4.5	29.0	51.5	57.5	14	118.5

ROLLING TYPE (OPTION)

NS	A	B	ØC	ØD	E	Weight in gram (With Box)
50	4.5	29.0	51.5	57.5	14	118.5

## RANGE TABLE

Note : Manufacturer offers National / International Scales like kPa, MPa, bar, psi, kg/cm<sup>2</sup> & Dual Scale like kPa with psi, kPa with bar, bar with psi or Equivalent scales as per the requirement can be provided on request.

Following are the example tables for kg/cm<sup>2</sup> & psi scales

## PRESSURE & COMPOUND RANGE

RANGE (PSI with kg/cm <sup>2</sup> )		40	50	RANGE (PSI with kg/cm)		40	50
RANGE PSI	RANGE kg/cm <sup>2</sup>			RANGE PSI	RANGE kg/cm <sup>2</sup>		
-30 inHg / 0	-760 mmHg / 0	×	✓	0/3000 psi	0/210 kg/cm <sup>2</sup>	✓	✓
0/15 psi	0/1 kg/cm <sup>2</sup>	×	✓	0/4000 psi	0/280 kg/cm <sup>2</sup>	✓	✓
0/30psi	0/2 kg/cm <sup>2</sup>	✓	✓	0/5000 psi	0/350 kg/cm <sup>2</sup>	✓	✓
0/60 psi	0/4 kg/cm <sup>2</sup>	✓	✓	0/6000 psi	0/400 kg/cm <sup>2</sup>	✓	✓
0/100 psi	0/7 kg/cm <sup>2</sup>	✓	✓	0/1 0000 psi	- 1/1 kg/cm <sup>2</sup>	✓	✓
0/150 psi	0/10 kg/cm <sup>2</sup>	✓	✓	0/1 5000 psi	- 1/2 kg/cm <sup>2</sup>	✓	✓
0/200 psi	0/14 kg/cm <sup>2</sup>	✓	✓	- 30inHg/15	- 1/3 kg/cm <sup>2</sup>	✓	✓
0/300 psi	0/21 kg/cm <sup>2</sup>	✓	✓	- 30inHg /30	- 1/6 kg/cm <sup>2</sup>	✓	✓
0/400 psi	0/28 kg/cm <sup>2</sup>	✓	✓	- 30inHg /60	- 1/9 kg/cm <sup>2</sup>	✓	✓
0/500 psi	0/35 kg/cm <sup>2</sup>	✓	✓	- 30inHg /100	- 1/15 kg/cm <sup>2</sup>	✓	✓
0/600 psi	0/40kg/cm <sup>2</sup>	✓	✓	- 30inHg /150	- 1/20 kg/cm <sup>2</sup>	✓	✓
0/1 000 psi	0/70 kg/cm <sup>2</sup>	✓	✓	- 30inHg /200	- 1/24 kg/cm <sup>2</sup>	✓	✓
0/1 500 psi	0/100 kg/cm <sup>2</sup>	✓	✓	- 30inHg /300			
0/2000 psi	0/140 kg/cm <sup>2</sup>	✓	✓	- 30inHg /350			

## HOW TO ORDER

### BASIC MODEL

CODE	B	C
NOMINAL SIZE	40mm	50mm

### TYPE OF MOUNTING

- 2 DIRECT BOTTOM ENTRY
- 4 DIRECT CENTRE BACK ENTRY
- 9 BACK ENTRY WITH MOUNTING BRACKET (ONLY FOR NS-50 mm & ROLLING TYPE DESIGN)

### GAUGE CONNECTION

- 1BM 1/8" BSP (M) STANDARD
- 1NM 1/8" NPT (M) STANDARD
- 1TM 1/8" BSPT (M)
- 2NM 1/4" NPT (M) STANDARD
- 2BM 1/4" BSP (M) STANDARD
- 2TM 1/4" BSPT (M)

Note : Connections like PT/PF/Flaired /UNF/G/R etc. Can be provided on request.  
Non standard connections can be provided through adaptors.

### RANGE

REFER TABLES

### OPTIONS

FOR NON STANDARD PRODUCTS/OPTIONAL ITEMS, PLEASE CONTACT FACTORY FOR DELIVERY AND MINIMUM QUANTITY OF ORDER.

- |  |                                 |
|--|---------------------------------|
| QB INTEGRAL DAMPENING SCREW IN AISI 316 SS | RP ENCLOSURE PROTECTION IP - 65 |
| RH CUSTOM DESIGNED DIAL                    | (IF BAYONET TYPE CASE & BEZEL)  |
| PY DAMPENING LIQUID GLYCERINE FILLED       | SX SS TAG PLATE                 |
| SQ CASE WITH ROLLING TYPE BEZEL            | FG FILLABLE LIQUID GLYCERINE    |
| SG OXYGEN SERVICE                          |                                 |

Note: Option PY, FG, SN are applicable for NS 50mm & Rolling type design.

### Ordering Example:

**BB - B - 2 - 2NM - 0/10kg/cm<sup>2</sup> - SX**

Note: • Due to continuous improvement, the specification may vary from time to time.

BB

B

2

2NM

0-10  
kg/cm<sup>2</sup>

SX