

BOURDON TYPE



SPECIAL FEATURES

- STAINLESS STEEL CASE & MEASURING SYSTEM
- DRY OR LIQUID FILLED
- ACCURACY UPTO $\pm 1.6\%$

APPLICATIONS

FOOD & BEVERAGE, PHARMACEUTICAL, CRYOGENICS, CONVENTIONAL, PUMPS, HYDRO-CLEANING MACHINES, PRESSES, ENGINE COMPRESSORS, TURBINES, DIESEL ENGINES & REFRIGERATING PLANTS.



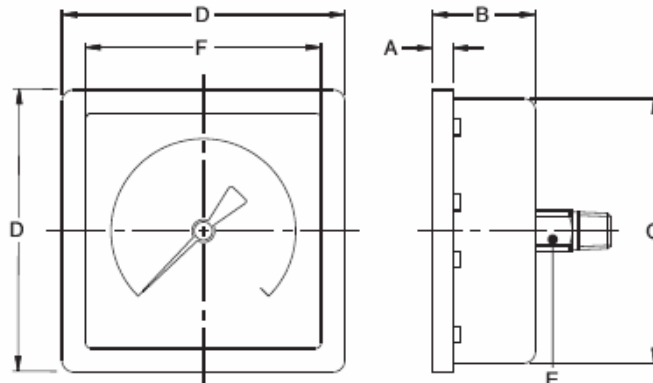
SPECIFICATIONS

STANDARD VERSION : 100mm

Accuracy	: $\pm 1.6\%$ of F.S.
Ambient temperature	: - 20°C to + 65°C
Process temperature	: Max 270°C
Operating pressure	: 75% of the Scale Value
Over pressure limit	: 30 % for Pressure Ranges upto 400kg/cm ²

Case	: AISI 304 SS
Ring	: AISI 304 SS, (Crimped Type)
Socket	: AISI 316 SS
Bourdon	: AISI 316 SS
Movement	: AISI 304 SS
Joints	: Tig Argon Arc Welding
Enclosure Protection	: IP 55

Dial	: Aluminium, black graduation on white background
Pointer	: Aluminium, black Coloured, Fixed
Window	: Sheet Glass
Gasket	: Silicon rubber
Filling Plug	: Neoprene



TYPE 4

A	B	C	D	E	F	Weight in gram (With Box)
5	30	90	96	14	80	330.0

RANGE TABLE

Note : Manufacturer offers Pressure ranges, Vacuum ranges and Compound ranges in Scales like kPa, MPa, bar, psi, kg/cm² & Dual Scale like kPa with psi, kPa with bar, bar with psi or scales as per the requirement can be provided on request.

Following are the example tables for kg/cm² & psi scales

PRESSURE RANGE

RANGE (PSI with kg/cm ²)			
RANGE PSI	RANGE kg/cm ²	RANGE PSI	RANGE kg/cm ²
-30 inHg / 0	-760 mmHg / 0	0/3000 psi	0/210 kg/cm ²
0/15 psi	0/1 kg/cm ²	0/4000 psi	0/280 kg/cm ²
0/30psi	0/2 kg/cm ²	0/5000 psi	0/350 kg/cm ²
0/60 psi	0/4 kg/cm ²	0/6000 psi	0/400 kg/cm ²
0/100 psi	0/7 kg/cm ²	- 30inHg/15	- 1/1 kg/cm ²
0/150 psi	0/10 kg/cm ²	- 30inHg /30	- 1/2 kg/cm ²
0/200 psi	0/14 kg/cm ²	- 30inHg /60	- 1/3 kg/cm ²
0/300 psi	0/21 kg/cm ²	- 30inHg /1 00	- 1/6 kg/cm ²
0/400 psi	0/28 kg/cm ²	- 30inHg /1 50	- 1/9 kg/cm ²
0/500 psi	0/35 kg/cm ²	- 30inHg /200	- 1/15 kg/cm ²
0/600 psi	0/40 kg/cm ²	- 30inHg /300	- 1/20 kg/cm ²
0/1 000 psi	0/70 kg/cm ²	- 30inHg /350	- 1/24 kg/cm ²
0/1 500 psi	0/100 kg/cm ²		
0/2000 psi	0/140 kg/cm ²		

HOW TO ORDER

BASIC MODEL

CODE

F

NOMINAL SIZE

100mm

TYPE OF MOUNTING

4 DIRECT CENTRE BACK ENTRY

GAUGE CONNECTION

1BM 1/8" BSP(M)	3NM 3/8" NPT(M)
1NM 1/8" NPT(M)	1TM 1/8" BSPT(M)
2BM 1/4" BSP(M) STANDARD	2TM 1/4" BSPT(M)
2NM 1/4" NPT(M) STANDARD	3TM 3/8" BSPT(M)
3BM 3/8" BSP(M)	

Note : Connections like PT/PF/Flaired /UNF/G/R etc. can be provided on request.
Non standard connections can be provided through adaptors.

RANGE

REFER TABLES

OPTIONS

FOR NON STANDARD PRODUCTS/OPTIONAL ITEMS, PLEASE CONTACT FACTORY FOR DELIVERY AND MINIMUM QUANTITY OF ORDER.

RH CUSTOM DESIGNED DIAL	SX SS TAG PLATE
SG OXYGEN SERVICE (WITHOUT DAMPENING LIQUIDS)	TB HELIUM LEAK TEST
PW FIVE POINT CALIBRATION CERTIFICATE	QB INTEGRAL DAMPENING SCREW IN AISI 316 SS

Ordering Example:

BC - F - 4 - 2NM - 0/10kg/cm² - RH

Note : ● Due to continuous improvement, the specification may vary from time to time.

BC

F

4

2NM

0-10
kg/cm²

RH