

HVAC MODEL (PLASTIC CASE WITH BRASS INTERNALS)



SPECIAL FEATURES

- ECONOMICAL VERSION
- GENERAL PURPOSE APPLICATION
- IDEAL FOR AIR AND CHILLED WATER
- PLASTIC CASE AVOIDS RUSTING

APPLICATIONS

MAINLY FOR WATER / AIR APPLICATION / REFRIGERATION / HVAC

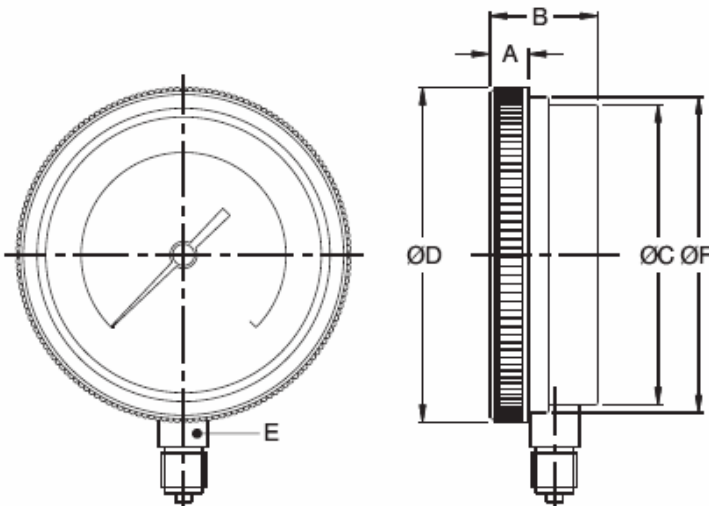
SPECIFICATIONS

STANDARD VERSION : 100mm



Accuracy	: ± 2.5% of F.S. (Between to 10 to 90% of span)
Ambient temperature	: - 20°C to + 60°C
Process temperature	: Max 120°C
Operating pressure	: 25 % to 75 % of F.S.
Over pressure limit	: Non Applicable
Case	: Plastic
Ring	: Plastic [Screwed]
Socket	: Copper Alloy
Bourdon	: Copper Alloy upto 70 kg/cm ² AISI 316 for above 70 kg/cm ² to 400 kg/cm ²
Movement	: Copper Alloy
Joints	: Tin - Copper Brazing upto 70 kg/cm ² (above 70 kg/cm ² to 400 kg/cm ² - Silver Alloy)
Dial	: Aluminium, black graduation on white background
Pointer	: Aluminium, Black, Fixed
Window	: Sheet Glass

DIMENSIONS - STANDARD VERSION



TYPE 2

NS	A	B	OC	OF	OD	E	Weight in gram (With Box)
100	13	37.5	104	109.5	116	SQ. 17	300.0

RANGE TABLE

Note : Manufacturer offers National / International Scales like kPa, Mpa, bar, psi, kg & Dual Scale like kPa with psi, kPa with bar, bar with psi or Equivalent scales as per the requirement can be provided on request.

Following are the example tables for kg & psi scales

PRESSURE RANGE

RANGE (PSI with kg/cm ²)					
RANGE PSI	RANGE kg/cm ²	RANGE PSI	RANGE kg/cm ²	RANGE PSI	RANGE kg/cm ²
-30 inHg / 0	-760 mmHg / 0	0/500 psi	0/35 kg/cm ²	- 30inHg/15	- 1/1 kg/cm ²
0/15 psi	0/1 kg/cm ²	0/600 psi	0/40 kg/cm ²	- 30inHg /30	- 1/2 kg/cm ²
0/30psi	0/2 kg/cm ²	0/1000 psi	0/70 kg/cm ²	- 30inHg /60	- 1/3 kg/cm ²
0/60 psi	0/4 kg/cm ²	0/1500 psi	0/100 kg/cm ²	- 30inHg /100	- 1/5 kg/cm ²
0/100 psi	0/7 kg/cm ²	0/2000 psi	0/140 kg/cm ²	- 30inHg /150	- 1/8 kg/cm ²
0/150 psi	0/10 kg/cm ²	0/3000 psi	0/210 kg/cm ²	- 30inHg /200	- 1/15 kg/cm ²
0/200 psi	0/14 kg/cm ²	0/3500 psi	0/250 kg/cm ²	- 30inHg /300	- 1/20 kg/cm ²
0/300 psi	0/21 kg/cm ²	0/4000 psi	0/280 kg/cm ²	- 30inHg /350	- 1/24 kg/cm ²
0/350 psi	0/25 kg/cm ²	0/5000 psi	0/350 kg/cm ²		
0/400 psi	0/28 kg/cm ²	0/6000 psi	0/400 kg/cm ²		

ACCESSORIES†

EC	GAUGE COCK	EG	SNUBBER
*	NEEDLE VALVE	EH	SIPHON

† Refer Datasheet for complete specifications * Refer catalogue for Valves & Manifolds

HOW TO ORDER

BASIC MODEL

CODE	F	BD
NOMINAL SIZE	100mm	

TYPE OF MOUNTING

2 DIRECT BOTTOM ENTRY	2
-----------------------	---

CONNECTION

2BM 1/4" BSP (M)	4JM 1/2" PF (M)	2NM 1/4" NPT (M)	3BM
3BM 3/8" BSP (M) STD	4MM M 20 x 1.5 (M)	3NM 3/8" NPT (M)	
4BM 1/2" BSP (M)	2TM 1/4" BSPT (M)	4NM 1/2" NPT (M)	
2JM 1/4" PF (M)	3TM 3/8" BSPT (M)	2QM 1/4" PT (M)	
3JM 3/8" PF (M)	4TM 1/2" BSPT (M)	3QM 3/8" PT (M)	
		4QM 1/2" PT (M)	

Note : Connections like PT/PF/Flaired /UNF/G/R etc. Can be provided on request
Non standard connections can be provided through adaptors.

RANGE

REFER TABLES	0-10 kg/cm ²
--------------	-------------------------

OPTIONS

FOR NON STANDARD PRODUCTS/OPTIONAL ITEMS, PLEASE CONTACT FACTORY FOR DELIVERY AND MINIMUM QUANTITY OF ORDER.

QB INTEGRAL DAMPENING SCREW	SJ MAXIMUM READING POINTER
RH CUSTOM DESIGNED DIAL	SL ZERO ADJUSTABLE POINTER
SG OXYGEN SERVICE	
RW PLEXI GLASS	

Ordering Example:

BD - F - 2 - 3BM - 0/10kg/cm² - RH

Note : • Due to continuous improvement, the specification may vary from time to time.