

DIAPHRAGM OPERATED

SPECIAL FEATURES

- HIGH OPERATING PRESSURE UP TO 100 BAR
- SIMPLE AND COMPACT DESIGN
- COST EFFECTIVE
- RELIABLE

APPLICATIONS

FILTERS, HYDRAULIC SYSTEMS, WATER TREATMENT PLANTS, CHEMICAL PLANTS, NATURAL GAS PROCESSING, HEAT EXCHANGERS, GASOLINE / DIESEL ENGINE FILTERS, PUMPS & VALVES, COMPRESSORS.

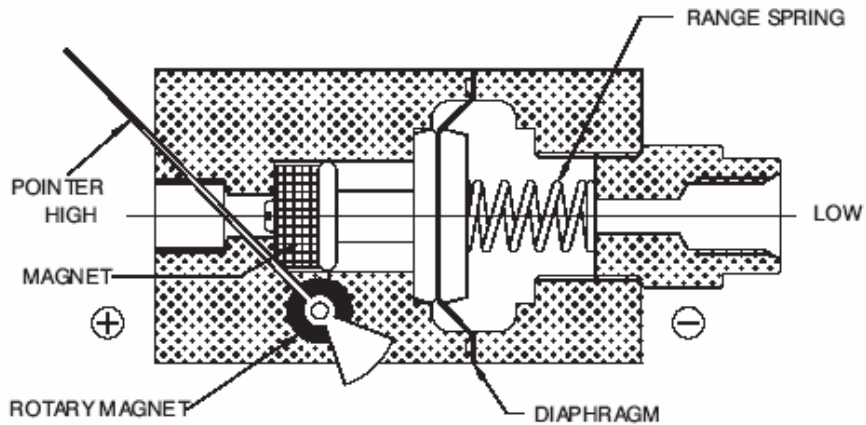


SPECIFICATIONS

STANDARD VERSION : 63mm, 80mm, 100mm, 115mm, 150mm

Accuracy	: $\pm 3\%$ of F.S.
Ambient temperature	: - 25°C to + 65°C
Process temperature	: Max. 80°C
Static pressure	: Upto 100 kg/cm ² (Optional 200Kg/cm ²)

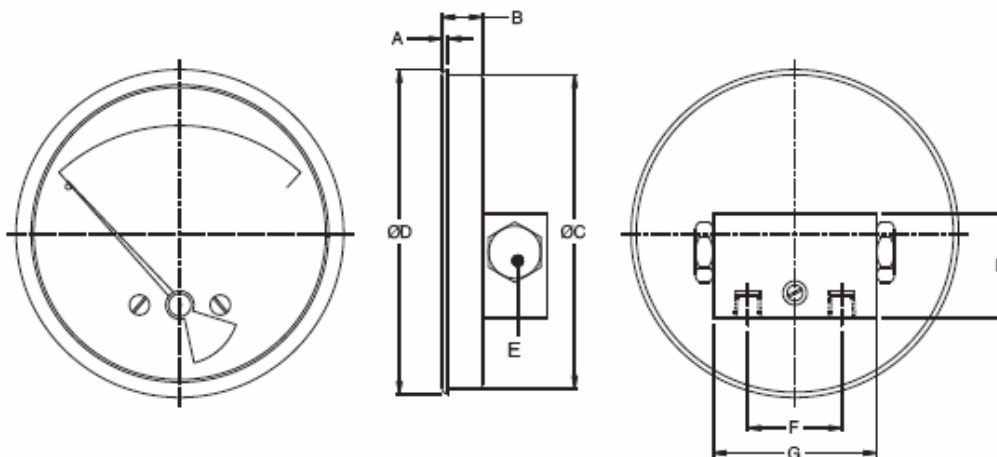
Case	: AISI 304 SS
Wetted Parts	: Ceramic Magnet & AISI 304 SS Spring
Body	: Aluminium, AISI 316 SS
Protection	: IP 55
Dial	: Aluminium, black Colored, Fixed
Window	: Acrylic Glass



OPERATING PRINCIPLE

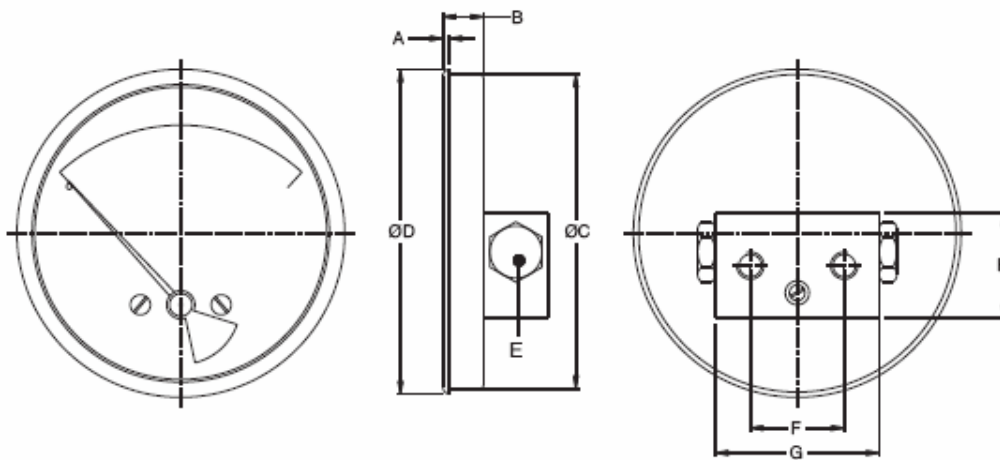
High and Low pressures are separated by a sensor assembly consisting of a magnet, piston, Teflon seal and a range spring. The difference in pressure causes the sensor assembly to move in proportion to the change against a range spring. A rotary magnet, located in a separate body cavity and isolated from the acting pressures, is rotated by magnetic coupling as per the linear movement of the sensor assembly. A pointer attached to the rotary magnet indicates differential pressure on the dial.

TYPE 2



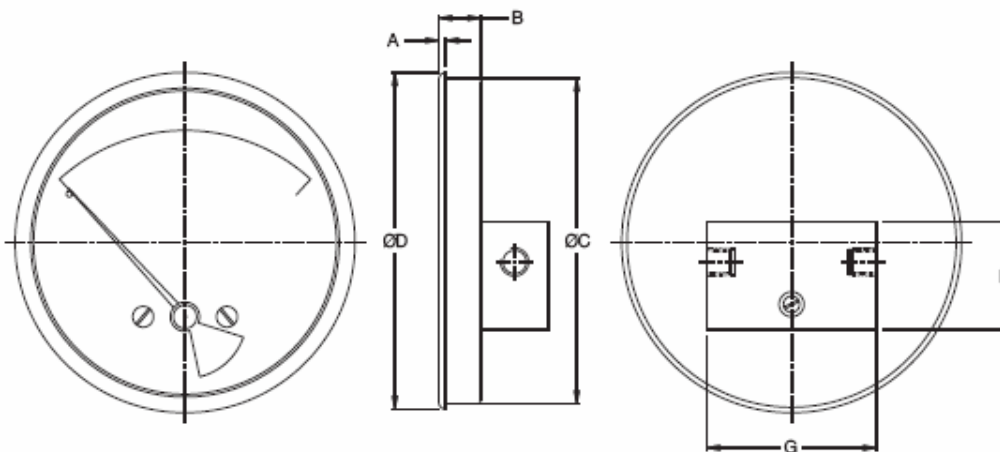
NS	A	B	ØC	ØD	E	F	G	H	Weight in gram (With Box)
63	3	19.5	62.5	66.5	25	45	78.5	50	410
80	3	19.5	80	84	25	45	78.5	50	430
100	3	19.5	100	104	25	45	78.5	50	460
125	3	19.5	119	123	25	45	78.5	50	510
150	3	19.5	149	153	25	45	78.5	50	560

TYPE 3



NS	A	B	ØC	ØD	E	F	G	H	Weight in gram (With Box)
63	3	19.5	62.5	66.5	25	45	78.5	50	400.0
80	3	19.5	80	84	25	45	78.5	50	420.0
100	3	19.5	100	104	25	45	78.5	50	450.0
125	3	19.5	119	123	25	45	78.5	50	490.0
150	3	19.5	149	153	25	45	78.5	50	540.0

TYPE 10



NS	A	B	ØC	ØD	G	H	Weight in gram (With Box)
63	3	19.5	62.5	66.5	78.5	50	410.0
80	3	19.5	80	84	78.5	50	430.0
100	3	19.5	100	104	78.5	50	460.0
125	3	19.5	119	123	78.5	50	500.0
150	3	19.5	149	153	78.5	50	550.0

RANGE TABLE

Note : Manufacturer offers National / International Scales like kPa, Mpa, bar, psi, kg/cm², mbar,mmWC, in WC & Dual Scale like kPa with psi, kPa with bar, bar with psi or Equivalent scales as per the requirement can be provided on request

Following are the example tables for kg/cm² & Kpa

GAUGE PRESSURE RANGE

SINGLE SCALE						
KPa	KPa	KPa		kg/cm ²	kg/cm ²	kg/cm ²
0 / 7.5	0 / 50	0 / 250		0 / 0.075	0 / 0.50	0 / 2.5
0 / 10	0 / 75	0 / 300		0 / 0.10	0 / 0.75	0 / 3.0
0 / 20	0 / 100	0 / 400		0 / 0.20	0 / 1.0	0 / 4.00
0 / 25	0 / 200			0 / 0.25	0 / 2.0	

Note : Other Scale are available on customer request.

HOW TO ORDER

BASIC MODEL

CODE	D	E	F	G	H
NOMINAL SIZE	63mm	80mm	100mm	115mm	150mm

TYPE OF CONNECTION

10	IN LINE	2	BOTTOM
3	BACK		

BODY MATERIAL

HU	ALUMINIUM	UB	AINI 31 6SS
MQ	BRASS		

GAUGE CONNECTION

2 NF	1/4" NPT (F) X 2 NOS.	4BM	1/2" BSP (M) X 2 NOS.
3BM	3/8" BSP (M) X 2 NOS.	4NM	1/2" NPT (M) X 2 NOS.

ADAPTORS PROVIDED FOR OTHER NON STD. CONNECTION

RANGE

REFER TABLES

OPTIONS

FOR NON STANDARD PRODUCTS/OPTIONAL ITEMS, PLEASE CONTACT FACTORY FOR DELIVERY AND MINIMUM QUANTITY OF ORDER.

PS	AINI 316 SS CASE	SX	SS TAG PLATE
HN	CASE IN ALUMINIUM	PW	FIVE POINT CALIBRATION CERTIFICATE
HO	CASE WITH FRONT FLANGE	FG	FILLABLE LIQUID GLYCERINE
RH	CUSTOM DESIGNED DIAL	PY	DAMPENING LIQUID GLYCERINE FILLED
SW	DIAL TAG MARKING	ZN	2" PIPE MOUNTING OPTION

ELECTRIC CONTACTS (WITHOUT GLYCERINE FILLED OPTIONS)

AA1	NONE	AA8	ONE SPDT, WITH A DIN PLUG
AA2	ONE SPST, WITH A DIN PLUG	AA9	ONE SPDT, WITH A TERMINAL STRIP
AA3	ONE SPST, WITH A TERMINAL STRIP	AB1	TWO SPDTs, WITH TWO DIN PLUGS
AA5	TWO SPSTs, WITH A DIN PLUG	AB2	TWO SPDTs, WITH A TERMINAL STRIP
AA6	TWO SPSTs, WITH A TERMINAL STRIP		

SPST / SPDT CONTACT RATING

SPST	SPDT		
AB3	10 VA AC OR DC	AB6	3VA AC OR DC
AB4	50 VA AC OR 100VDC	AB7	28 VAC OR 28 VDC
AB5	0.5Amp AC OR DC	AB8	0.25 Amp AC OR DC

Ordering Example:

BG - H - 2 - HU - 4NM - 0/2kg/cm² - PW - AB3

Note : Gauge with switch not available with back porting.

Note : ● Due to continuous improvement, the specification may vary from time to time.

BG

H

2

HU

4NM

0 - 2
kg/cm²

PW

AB3