

ELECTRIC CONTACT TYPE (HIGH CASE VERSION)

BI

SPECIAL FEATURES

- STAINLESS STEEL CASE & MEASURING SYSTEM
- TWO PIECE CONSTRUCTION
- DRY OR LIQUID FILLED
- STANDARD FOLLOWED IN GENERAL EN 837-1

APPLICATIONS

SUITABLE TO CONTROL THE ELECTRICAL OPERATION OF COMPRESSORS, PUMPS, PRESSES, HYDRAULIC & PNEUMATIC EQUIPMENTS, CHEMICALS & PETROCHEMICAL PLANTS.



SPECIFICATIONS

STANDARD VERSION : 100mm

Accuracy	: ±1.0% of F.S.
Ambient temperature	: - 20°C to + 65°C
Process temperature	: Max. 100°C
Electric Wiring	: Junction Box
Contact Setting	: Over on arc of 270° through a knob placed on front of lens
Operating pressure	: 75% of the Scale Value
Over pressure limit	: Not Suitable

Case	: AISI 304 SS
Ring	: AISI 304 SS, Bayonet Type
Bourdon	: AISI 316L SS
Socket	: AISI 316L SS (Directly welded to case)
Movement	: AISI 304 SS
Joints	: Tig Argon Arc Welding

Protection	: IP 65
Dial	: Aluminium, black graduation on white background
Pointer	: Aluminium, black coloured Fixed
Window	: Shatterproof/Safety Glass
Contact	: Silver-Nickel
Blow off Disc	: Neoprene
Gasket	: Neoprene

FILLED VERSION (OPTION ZZ)

Accuracy	: ±1.6% of F.S.
Ambient Temperature	: Maximum 65°C
Process Temperature	: +15°C / 65° C
Window	: Acrylic
Dampening Liquids	: Dielectric Oil
Other Features	: Refer Specification of Standard Version

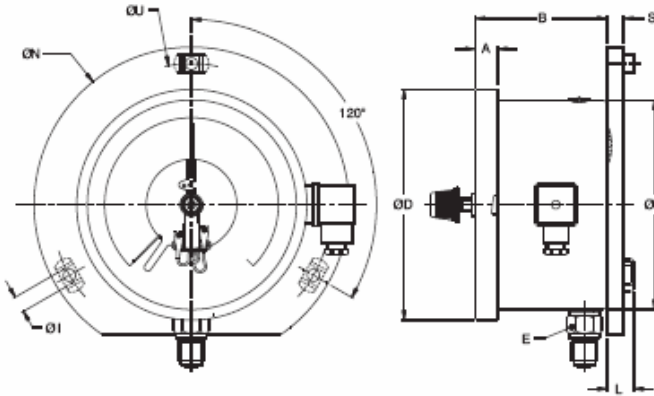
DRY BUT FILLABLE VERSION

Option Code	Fillable Dampening Liquid
ZY	: Fillable Dielectric Oil

Note: BOD, vent plug & sealing ring material will be VITON/NBR

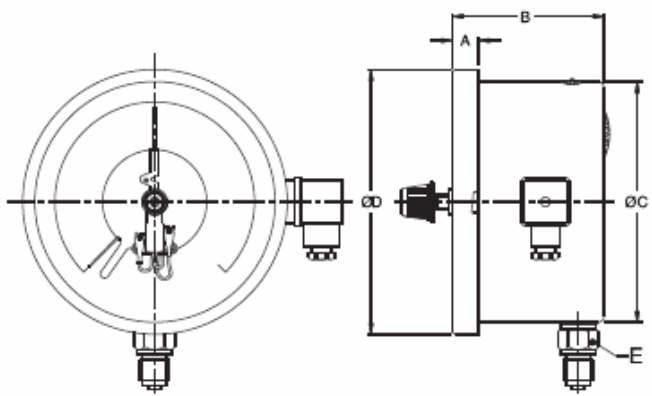
DIMENSIONS - STANDARD VERSION

TYPE 1



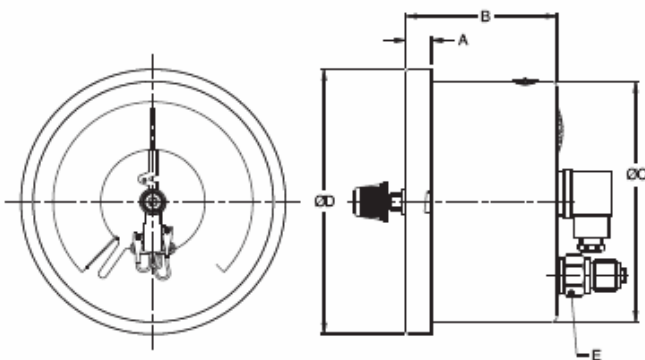
NS	A	B	ØC	ØD	E	ØI	ØN	ØU	L	S	Weight in gram (With Box)
100	12.5	89	100	110	A/F 22	6	134	118	15	6	1050.0

TYPE 2



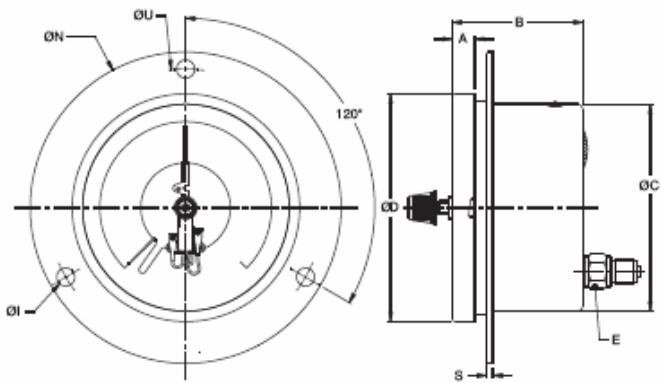
NS	A	B	ØC	ØD	E	Weight in gram (With Box)
100	12.5	89	100	110	A/F 22	980.0

TYPE 3

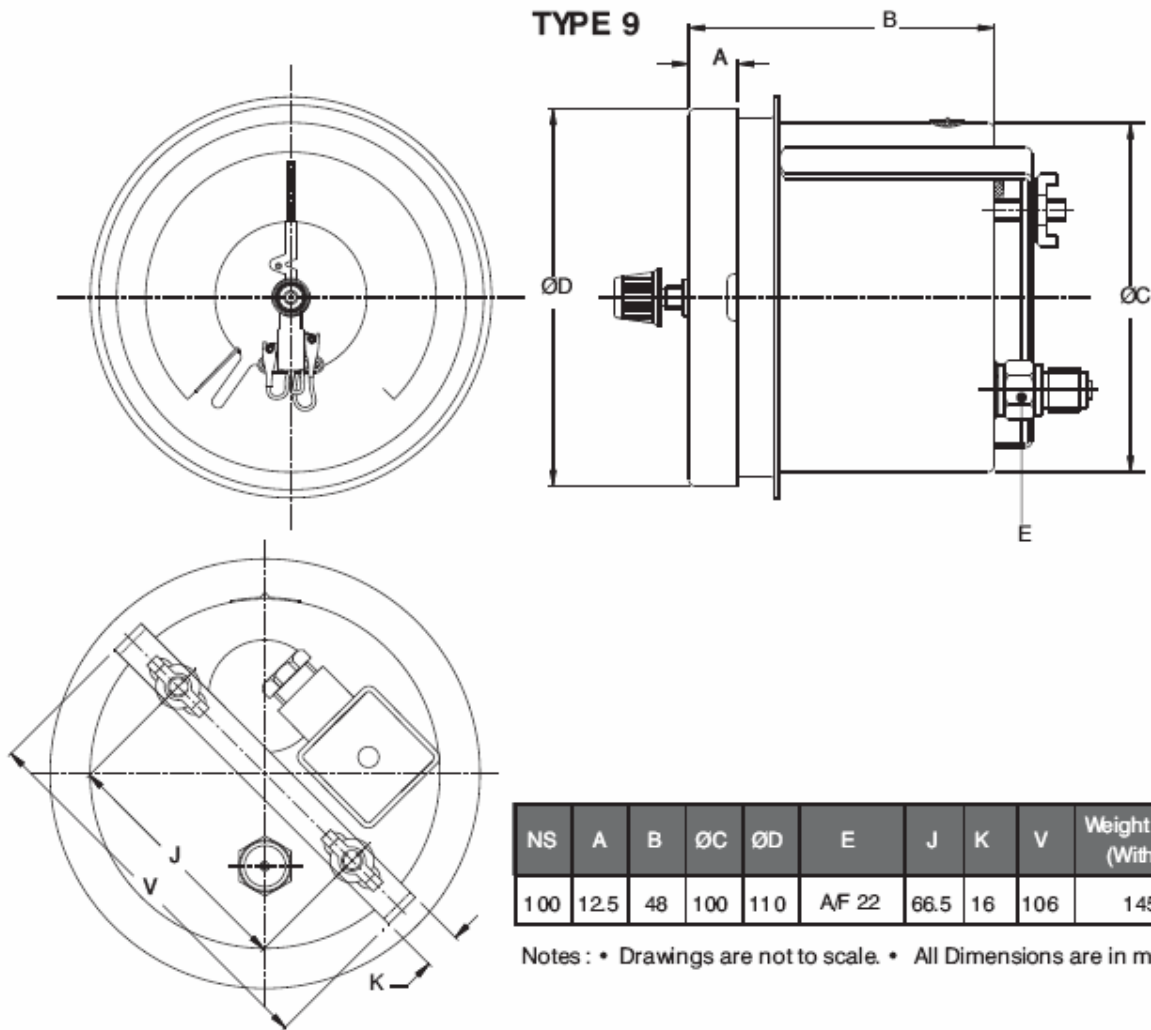


NS	A	B	ØC	ØD	E	Weight in gram (With Box)
100	12.5	89	100	110	A/F 22	970.0

TYPE 5



NS	A	B	ØC	ØD	E	ØI	ØN	ØU	Weight in gram (With Box)
100	12.5	89	100	110	A/F 22	6	134	118	1050.0



NS	A	B	ØC	ØD	E	J	K	V	Weight in gram (With Box)
100	12.5	48	100	110	A/F 22	66.5	16	106	1450.0

Notes : • Drawings are not to scale. • All Dimensions are in mm.

RANGE TABLE

Note : Manufacturer offers National / International Scales like kPa, Mpa, bar, psi, kg/cm², mbar, mmWC, inWC & Dual Scale like kPa with psi, kPa with bar, bar with psi or Equivalent scales as per the requirement can be provided on request.

Following are the example tables for kg/cm² & psi scales

PRESSURE

SINGLE SCALE (kg/cm ² or bar)					
RANGE	RANGE	RANGE	RANGE	RANGE	RANGE
0/1.6	0/10	0/60	0/400	0/1 000	
0/2.5	0/16	0/100	0/600	0/1 400	
0/4	0/25	0/160		0/1 600	
0/6	0/40	0/250			
DUAL SCALE (PSI with kg/cm ²) or PSI with bar					
RANGE (PSI)	RANGE (kg/cm ²)	RANGE (PSI)	RANGE (kg/cm ²)	RANGE (PSI)	RANGE (kg/cm ²)
0/25	0/1.6	0/400	0/28	0/4000	0/280
0/35	0/2.5	0/500	0/35	0/5000	0/350
0/60	0/4	0/600	0/40	0/6000	0/400
0/100	0/7	0/1 000	0/70	0/1 0000	0/700
0/150	0/10	0/1 500	0/1 00	0/1 5000	0/1000
0/200	0/14	0/2000	0/1 40	0/20000	0/1400
0/300	0/20	0/3000	0/200	0/20000	0/1600

* Note: For ranges above 1600kg/cm², please consult factory.

VACUUM & COMPOUND

DUAL SCALE (inHg with PSI & mmHg with kg/cm ²)					
RANGE	RANGE	RANGE	RANGE	RANGE	RANGE
inHg with PSI	mmHg with kg/cm ²	inHg with PSI	mmHg with kg/cm ²	inHg with PSI	mmHg with kg/cm ²
- 30/15	- 760/1	- 30/100	- 760/6	- 30/300	- 760/20
- 30/30	- 760/2	- 30/150	- 760/9		
- 30/60	- 760/3	- 30/200	- 760/15		
SINGLE SCALE (kg/cm ²)					
RANGE	RANGE	RANGE	RANGE	RANGE	RANGE
- 1 /0.6	- 1 /3	- 1 /9	- 1 /24		
- 1 /1.5	- 1 /5	- 1 /15			

ACCESSORIES †

EC GAUGE COCK	EG SNUBBER	DX DIAPHRAGM SEAL
ED GAUGE SAVER	EH SIPHON	

† Refer Datasheet for complete specifications

HOW TO ORDER

BASIC MODEL

CODE	F
NOMINAL SIZE	100 mm

TYPE OF MOUNTING

- 1 WALL, SURFACE, PROJECTION MOUNTING WITH BOTTOM ENTRY
- 2 DIRECT BOTTOM ENTRY
- 3 DIRECT LOWER BACK ENTRY
- 5 FLUSH PANEL BACK ENTRY WITH FRONT FLANGE
- 9 BACK ENTRY WITH MOUNTING BRACKET

GAUGE CONNECTION

2BM 1/4" BSP (M)	3NM 3/8" NPT (M)	4TM 1/2" BSPT (M)
3BM 3/8" BSP (M) STANDARD	4NM 1/2" NPT (M) STANDARD	2MM M 12 X 1 (M)
4BM 1/2" BSP (M) STANDARD	2TM 1/4" BSPT (M)	3MM M 16 X 1.5 (M)
2NM 1/4" NPT (M)	3TM 3/8" BSPT (M)	4MM M 20 X 1.5 (M)

Note : Connections like PT/PF/Flaired /UNF/G/R etc.can be provided on request
Non standard connections can be provided through adaptors.

RANGE

REFER TABLES

OPTIONS

FOR NON STANDARD PRODUCTS/OPTIONAL ITEMS, PLEASE CONTACT FACTORY FOR DELIVERY AND MINIMUM QUANTITY OF ORDER.

TI MONEL BOURDON & SOCKET (MONEL VERSION)	TF TESTED TO NACE STANDARDS
PS AISI 316 SS CASE & BEZEL	RH CUSTOM DESIGNED DIAL
PW FIVE POINT CALIBRATION CERTIFICATE	QB DAMPENING SCREW IN AISI 316 SS
ZY FILLABLE LIQUID DIELECTRIC OIL	SA INTERNAL OVERPRESSURE STOP
SX SS TAG PLATE	SB INTERNAL VACUUM STOP
SW DIAL TAG MARKING	ZF CASE WITH BALL BURNISHING FINISH
TB HELIUM LEAK TEST	ZK CASE WITH BUFFING FINISH
RW PLEXI/ACRYLIC GLASS	

ELECTRIC CONTACTS

A) MAGNETIC SNAP ACTION TYPE (230 V AC, 1 Amp.)
(48 VDC, 0.5 Amp.)

RJ Single; NORMALLY CLOSED
RK Double; NORMALLY CLOSED + NORMALLY OPEN
RL Single; NORMALLY OPEN
RM Double; NORMALLY OPEN + NORMALLY CLOSED
RN Double; NORMALLY CLOSED
RO Double; NORMALLY OPEN
RU BOOSTER FOR CURRENT UPTO 5 Amp.
RA SPDT
RC DPDT

B) INDUCTIVE TYPE (220 V AC, 0.4 Amp.)

YW Single; NORMALLY OPEN
YV Single; NORMALLY CLOSED
YX Double; NORMALLY CLOSED + NORMALLY OPEN
YY Double; NORMALLY OPEN
YZ Double; NORMALLY CLOSED
ZA Double; NORMALLY OPEN + NORMALLY CLOSED

Ordering Example:

BI - F - 2 - 4NM - 0/10kg/cm² - RH

Note : ● Due to continuous improvement, the specification may vary from time to time.

BI

F

2

4NM

0-10
kg/cm²

RH