

ELECTRIC CONTACT TYPE

BJ

SPECIAL FEATURES

- STAINLESS STEEL CASE & MEASURING SYSTEM
- SOCKET & CASE WELDED
- DRY OR LIQUID FILLED
- STANDARD FOLLOWED IN GENERAL EN 837-1

APPLICATIONS

FOOD & BEVERAGE, PHARMACEUTICAL, CRYOGENICS, CHEMICAL & PETROCHEMICAL INDUSTRIES, CONVENTIONAL & NUCLEAR POWER PLANTS, PUMPS, HYDRO-CLEANING MACHINES, PRESSES, ENGINE COMPRESSORS, TURBINES, DIESEL ENGINES & REFRIGERATING PLANTS.



SPECIFICATIONS

STANDARD VERSION : 100mm, 150mm

Accuracy	: ±1.0% of F.S.
Ambient temperature	: - 20°C to + 65°C
Process temperature	: Max 100°C
Electric Wiring	: Junction Box
Contact Setting	: Over on arc of 270° through a knob placed on front of lens
Operating pressure	: 75% of the Scale Value
Over pressure limit	: Not Suitable

Case	: AISI 304 SS
Ring	: AISI 304 SS, Bayonet Type
Bourdon	: AISI 316L SS
Socket	: AISI 316L SS (Directly Welded to Case)
Movement	: AISI 304 SS
Joints	: Tig Argon Arc Welding

Protection	: IP 65
Dial	: Aluminium, black graduation on white background
Pointer	: Aluminium, black coloured micrometer zero adjustable
Window	: Polycarbonate Dome
Contact	: Silver-Nickel
Blow off Disc	: Neoprene
Gasket	: Neoprene

FILLED VERSION (OPTION ZZ)

Accuracy	: ±1.6% of F.S.
Ambient Temperature	: Maximum 65°C
Process Temperature	: +15°C / 65° C
Window	: Acrylic
Dampening Liquids	: Dielectric Oil
Other Features	: Refer Specification of Standard Version

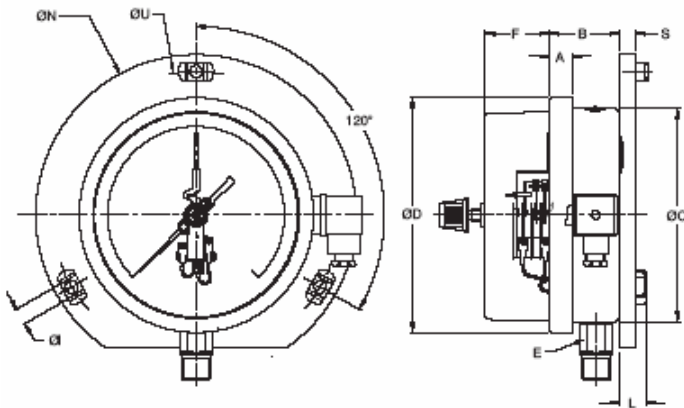
DRY BUT FILLABLE VERSION

Option Code	Fillable Dampening Liquid
ZY	: Fillable Dielectric Oil

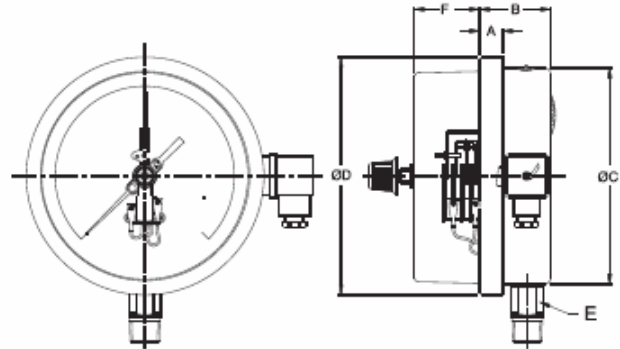
Note: BOD, vent plug & sealing ring material will be VITON/NBR

DIMENSIONS - STANDARD VERSION

TYPE 1



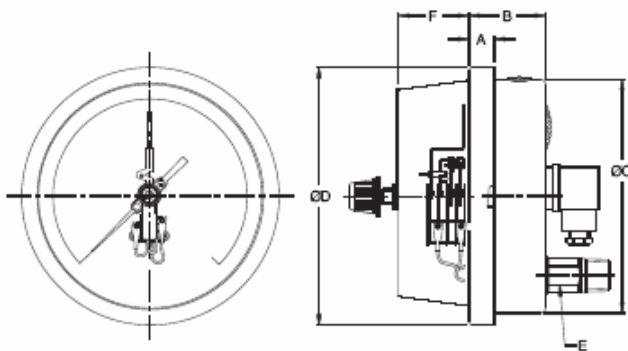
TYPE 2



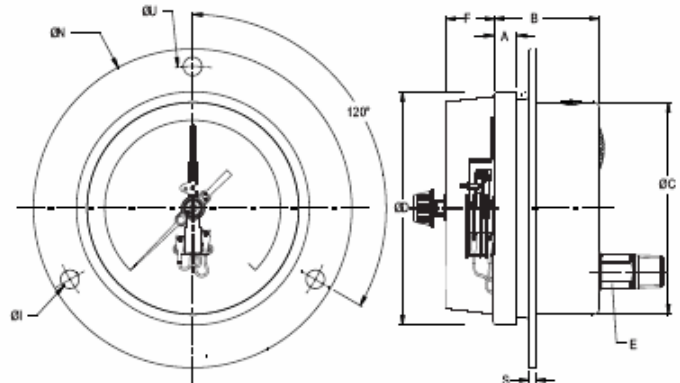
NS	A	B	ØC	ØD	E	F	ØI	ØN	ØU	L	S	Weight in gram (With Box)
100	12.5	48	100	110	22	43.5	6	134	118	15	6	880.0
150	15	49	149	161	22	43.5	6	186	168	15	6	1377.5

NS	A	B	ØC	ØD	E	F	Weight in gram (With Box)
100	12.5	48	100	110	22	43.5	795.0
150	15	49	149	161	22	43.5	1200.0

TYPE 3



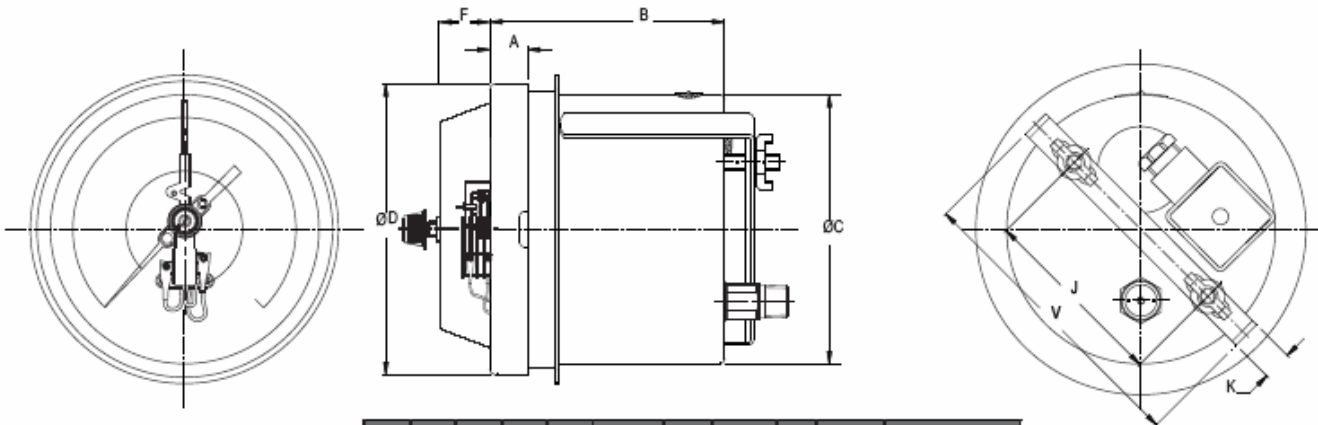
TYPE 5



NS	A	B	ØC	ØD	E	F	Weight in gram (With Box)
100	2.5	48	100	110	22	43.5	785.0
150	15	49	149	161	22	43.5	1140.0

NS	A	B	ØC	ØD	E	F	ØI	ØN	ØU	Weight in gram (With Box)
100	12.5	48	100	110	A/F 22	43.5	6	134	118	850.0
150	15	49	149	161	A/F 22	43.5	6	186	168	1200.0

TYPE 9



NS	A	B	ØC	ØD	E	F	J	K	V	Weight in gram (With Box)
100	12.5	48	100	110	A/F 22	43.5	66.5	16	106	950.0
150	15	49	149	161	A/F 22	43.5	103.5	16	158	1250.0

RANGE TABLE

Note : Manufacturer offers National / International Scales like kPa, MPa, bar, psi, kg/cm² & Dual Scale like kPa with psi, kPa with bar, bar with psi or Equivalent scales as per the requirement can be provided on request.

Following are the example tables for kg/cm² & psi scales

PRESSURE

SINGLE SCALE (kg/cm ² or bar)					
RANGE	RANGE	RANGE	RANGE	RANGE	RANGE
0/1.6	0/10	0/60	0/400	0/1000	
0/2.5	0/16	0/100	0/600	0/1400	
0/4	0/25	0/160		0/1600	
0/6	0/40	0/250			
DUAL SCALE (PSI with kg/cm ²) or PSI with bar					
RANGE (PSI)	RANGE (kg/cm ²)	RANGE (PSI)	RANGE (kg/cm ²)	RANGE (PSI)	RANGE (kg/cm ²)
0/25	0/1.6	0/400	0/28	0/4000	0/280
0/35	0/2.5	0/500	0/35	0/5000	0/350
0/60	0/4	0/600	0/40	0/6000	0/400
0/100	0/7	0/1000	0/70	0/10000	0/700
0/150	0/10	0/1500	0/100	0/15000	0/1000
0/200	0/14	0/2000	0/140	0/20000	0/1400
0/300	0/20	0/3000	0/200	0/23000	0/1600

* Note: For ranges above 1600kg/cm², please consult factory.

VACUUM & COMPOUND

DUAL SCALE (inHg with PSI & mmHg with kg/cm ²)					
RANGE	RANGE	RANGE	RANGE	RANGE	RANGE
inHg with PSI	mmHg with kg/cm ²	inHg with PSI	mmHg with kg/cm ²	inHg with PSI	mmHg with kg/cm ²
-30/15	-760/1	-30/100	-760/6	-30/300	-760/20
-30/30	-760/2	-30/150	-760/9	-30/350	-760/24
-30/60	-760/3	-30/200	-760/15		
SINGLE SCALE (kg/cm ²)					
RANGE	RANGE	RANGE	RANGE	RANGE	RANGE
-1/0.6	-1/3	-1/9	-1/24		
-1/1.5	-1/5	-1/15			

ACCESSORIES †

EC GAUGE COCK	ED GAUGE SAVER	EG SNUBBER
DX DIAPHRAGM SEAL	* NEEDLE VALVE	FH SIPHON

† Refer Datasheet for complete specifications * Refer catalogue for Valves & Manifolds

HOW TO ORDER

BASIC MODEL

CODE	F	H
NOMINAL SIZE	100 mm	150 mm

BJ

F

TYPE OF MOUNTING

- 1 WALL, SURFACE, PROJECTION MOUNTING WITH BOTTOM ENTRY
- 2 DIRECT BOTTOM ENTRY
- 3 DIRECT LOWER BACK ENTRY
- 5 FLUSH PANEL BACK ENTRY WITH FRONT FLANGE
- 9 BACK ENTRY WITH MOUNTING BRACKET

2

GAUGE CONNECTION

2BM 1/4" BSP (M)	3NM 3/8" NPT (M)	4TM 1/2" BSPT (M)
3BM 3/8" BSP (M) STANDARD	4NM 1/2" NPT (M) STANDARD	2MM M 12 X 1 (M)
4BM 1/2" BSP (M) STANDARD	2TM 1/4" BSPT (M)	3MM M 16 X 1.5 (M)
2NM 1/4" NPT (M)	3TM 3/8" BSPT (M)	4MM M 20 X 1.5 (M)

4NM

Note : Connections like PT/PF/Flaired /UNF/G/R etc.can be provided on request.
Non standard connections can be provided through adaptors.

RANGE

REFER TABLES

0-10
kg/cm²

OPTIONS

FOR NON STANDARD PRODUCTS/OPTIONAL ITEMS, PLEASE CONTACT FACTORY FOR DELIVERY AND MINIMUM QUANTITY OF ORDER.

TI MONEL BOURDON & SOCKET (MONEL VERSION)	TF TESTED TO NACE STANDARDS
PS AISI 316 SS CASE & BEZEL	RH CUSTOM DESIGNED DIAL
PW FIVE POINT CALIBRATION CERTIFICATE	QB DAMPENING SCREW IN AISI 316 SS
ZY FILLABLE LIQUID DIELECTRIC OIL	SA INTERNAL OVER PRESSURE STOP
SX SS TAG PLATE	SB INTERNAL VACUUM STOP
SW DIAL TAG MARKING	ZF CASE WITH BALL BURNISHING FINISH
TB HELIUM LEAK TEST	ZK CASE WITH BUFFING FINISHING

RH

ELECTRIC CONTACTS

A) MAGNETIC SNAP ACTION TYPE (230 V AC, 1 Amp.)
(48 V DC, 0.5 Amp.)

B) INDUCTIVE TYPE (220 V AC, 0.4 Amp.)

RJ Single; NORMALLY CLOSED	YW Single; NORMALLY OPEN
RK Double; NORMALLY CLOSED + NORMALLY OPEN	YV Single; NORMALLY CLOSED
RL Single; NORMALLY OPEN	YX Double; NORMALLY CLOSED + NORMALLY OPEN
RM Double; NORMALLY OPEN + NORMALLY CLOSED	YY Double; NORMALLY OPEN
RN Double; NORMALLY CLOSED	YZ Double; NORMALLY CLOSED
RO Double; NORMALLY OPEN	ZA Double; NORMALLY OPEN + NORMALLY CLOSED
RU BOOSTER FOR CURRENT UP TO 5 Amp.	
RA SPDT	
RC DPDT	

Ordering Example:

BJ - F - 2 - 4NM - 0/10kg/cm² - RH

Note : • Due to continuous improvement, the specification may vary from time to time.