

DIAPHRAGM TYPE



SPECIAL FEATURES

- FIXED POINTER & MOVABLE DIAL
- SOCKET & CASE WELDED
- RUGGED CONSTRUCTION FOR CORROSIVE & VIBRATION SERVICE

APPLICATIONS

MUD PUMP, STAND PIPE MUD PUMP, PETROLEUM, WELL DRILLING



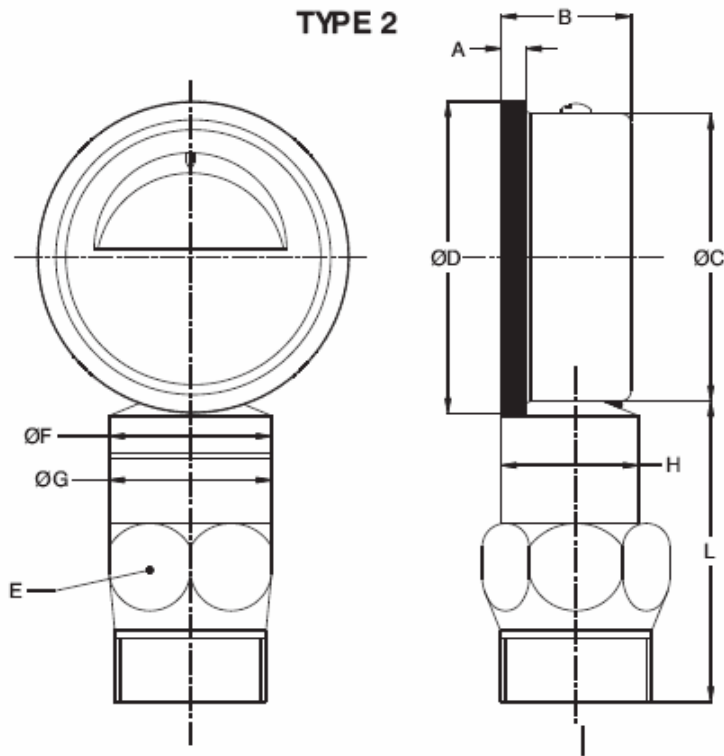
SPECIFICATIONS

STANDARD VERSION : 100mm

Accuracy	: $\pm 2\%$ of F.S.
Dial material & colour	: Aluminium stove enamelled white
Dial marking	: Black on White Background
Case Filling	: Glycerine Filled

Case & Ring	: Gun metal casting, Weather proof gray Hammertone finish
Bourdon	: AISI 316 SS
Movement	: AISI 304 SS
Window	: Perspex
Mounting & Entry	: Direct with bottom

Sensing element	: AISI 316L SS Diaphragm
Chamber Material	: Brass or stainless steel
Sealing fluid	: Silicon oil
Mud protection	: Neoprene rubber pad
Process connection	: 2" NPT (M)
Process conn.Material	: Mild steel, anti-corrosion treated



A	B	ØC	ØD	E	ØF	ØG	H	L	Weight in gram (With Box)
10	52	115	125	22	65	65	55	121	4450.0

HOW TO ORDER

BASIC MODEL

CODE

F

BM

NOMINAL SIZE

100 mm

F

TYPE OF MOUNTING

2 DIRECT BOTTOM ENTRY

2

GAUGE CONNECTION

9BM 1½" BSP (M)

9NM 1½" NPT (M)

JA 2" BSP (M)

JS 2" NPT (M)

4NM

Note : Connections like PT/PF/Flaired /UNF/G/R etc. can be provided on request
Non standard connections can be provided through adaptors.

RANGE (IN Mpa)

0/16 0/60

0/25 0/80

0/40

0-25

Ordering Example:

BM - F - 2 - 4NM - 0/25

Note : ● Due to continuous improvement, the specification may vary from time to time.

FOR NON STANDARD PRODUCTS/OPTIONAL ITEMS, PLEASE CONTACT FACTORY FOR DELIVERY AND MINIMUM QUANTITY OF ORDER.