

BOURDON TYPE



SPECIAL FEATURES

- STAINLESS STEEL CASE & MEASURING SYSTEM
- SOCKET & CASE WELDED
- PROTECTION IP 55
- STANDARD FOLLOWED IN GENERAL EN 837-1
- ECONOMIC MODEL.

APPLICATIONS

FOOD & BEVERAGE, PHARMACEUTICAL, CHEMICAL INDUSTRIES, POWER PLANTS, PUMPS, HYDRO-CLEANING MACHINES, PRESSES, ENGINE COMPRESSORS, TURBINES, DIESEL ENGINES & REFRIGERATING PLANTS.

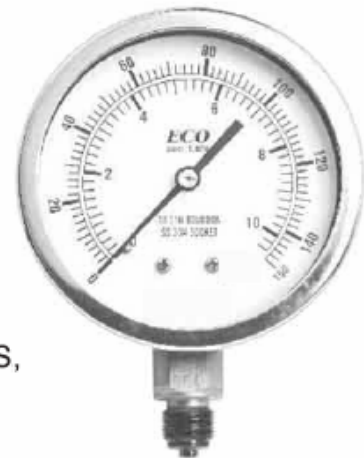
SPECIFICATIONS

STANDARD VERSION : 100mm

Accuracy	: ±1.6% of F.S.
Ambient temperature	: - 25°C to + 65°C
Process temperature	: Max. 300°C
Operating pressure	: 75% of the Scale Value
Over pressure limit	: 30% for Pressure Ranges upto 600kg/cm ² 15% for Pressure Ranges above 600kg/cm ²

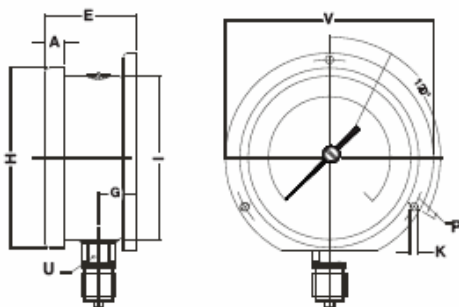
Case	: AISI 304 SS
Ring	: AISI 304 SS, Bayonet Type
Bourdon	: AISI 316 SS
Socket	: AISI 304 SS (Directly Welded to Case)
Movement	: AISI 304 SS
Joints	: Tig Argon Arc Welding

Protection	: IP 55
Dial	: Aluminium, black graduation on white background
Pointer	: Aluminium, black coloured slotted zero adjustable
Window	: Sheet Glass
Blow off Disc	: Neoprene
Gasket	: Neoprene

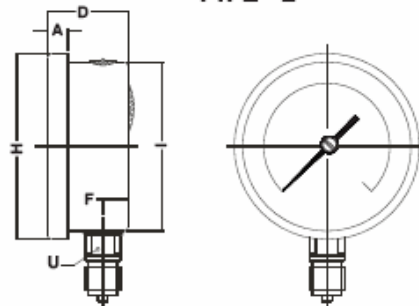


DIMENSIONS - STANDARD VERSION

TYPE - 1



TYPE - 2



NS	A	E	G	H	I	K	P	U	V	Weight in gram (With Box)
100	12	55	20	110	100	6	118	22	134	715

NS	A	D	F	H	I	U	Weight in gram (With Box)
100	12	47	16.5	110	100	22	630

RANGE TABLE

Note : Ranges available in kg/cm²(Single Scale) and kg/cm² and Psi (Dual Scale)

Following are the example tables for kg/cm & psi scales

PRESSURE

SINGLE SCALE (kg/cm ²)					
RANGE	RANGE	RANGE	RANGE	RANGE	RANGE
0/0.6	0/4	0/25	0/160	0/1000	
0/1	0/6	0/40	0/250	0/1400	
0/1.6	0/10	0/60	0/400	0/1600	
0/2.5	0/16	0/100	0/600		

DUAL SCALE (PSI with kg/cm ²)					
RANGE (PSI)	RANGE (kg/cm ²)	RANGE (PSI)	RANGE (kg/cm ²)	RANGE (PSI)	RANGE (kg/cm ²)
0/15	0/1	0/400	0/28	0/4000	0/280
0/30	0/2	0/500	0/35	0/5000	0/350
0/60	0/4	0/600	0/40	0/6000	0/400
0/100	0/7	0/1000	0/70	0/10000	0/700
0/150	0/10	0/1500	0/100	0/15000	0/1000
0/200	0/14	0/2000	0/140	0/20000	0/1400
0/300	0/20	0/3000	0/200	0/23000	0/1600

VACUUM & COMPOUND

DUAL SCALE (inHg with PSI & mmHg with kg/cm ²)					
RANGE inHg with PSI	RANGE mmHg with kg/cm ²	RANGE inHg with PSI	RANGE mmHg with kg/cm ²	RANGE inHg with PSI	RANGE mmHg with kg/cm ²
- 30/0	- 760/0	- 30/60	- 760/3	- 30/200	- 760/15
- 30/15	- 760/1	- 30/100	- 760/6	- 30/300	- 760/20
- 30/30	- 760/2	- 30/150	- 760/9	- 30/350	- 760/24

SINGLE SCALE (kg/cm ²)			
RANGE	RANGE	RANGE	RANGE
- 1.0	- 1/1.5	- 1/5	- 1/15
- 10.6	- 1/3	- 1/9	- 1/24

HOW TO ORDER

BASIC MODEL

CODE

F

BV

NOMINAL SIZE

100 mm

F

TYPE OF MOUNTING

- 1 WALL/ SURFACE/ PROJECTION MOUNTING WITH BOTTOM ENTRY
- 2 DIRECT BOTTOM ENTRY

2

GAUGE CONNECTION

- 3BM 3/8" BSP (M) STANDARD 4NM 1/2" NPT (M) STANDARD
 4BM 1/2" BSP (M) STANDARD
 2BM 1/4" BSP (M)
 2NM 1/4" BSP (M)

4NM

ADAPTORS CAN BE PROVIDED FOR NON STD. FLARRED & FEMALE CONNECTIONS

RANGE

REFER TABLES

0-10
kg/cm²

OPTIONS

FOR NON STANDARD PRODUCTS/OPTIONAL ITEMS, PLEASE CONTACT FACTORY FOR DELIVERY AND MINIMUM QUANTITY OF ORDER.

PW FIVE POINT CALIBRATION CERTIFICATE

RX SHATTERPROOF/SAFETY GLASS

SH FIXED POINTER

RZ TOUGHENED GLASS

RX

Note : Dials will be in black colour only. 'ECO' will be printed on dial. Customer logo can be incorporated in multi colour.

Ordering Example:

BV - F - 2 - 4NM - 0/10kg/cm² - RX

Note : ● Due to continuous improvement, the specification may vary from time to time.