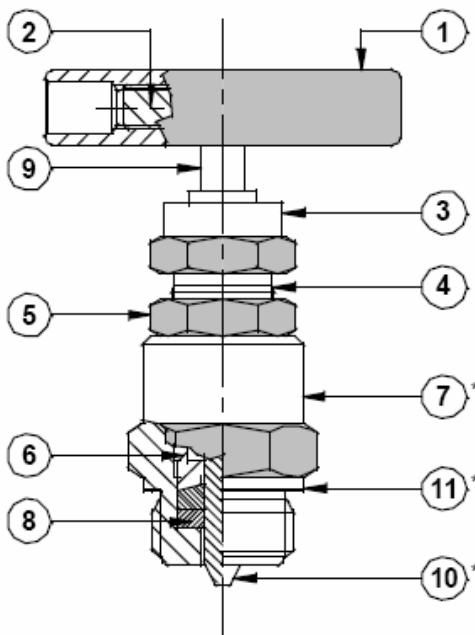


## BONNET



- 1) **Manopola a barra: agevole manovrabilità con minimo sforzo.**  
*Tee bar: easy manoeuvrability with minimum effort.*
- 2) **Grano di fissaggio.**  
*Fixing pin.*
- 3) **Cappuccio parapolvere in HITREL con funzione colorata per impedire l'ingresso di polvere o altri agenti inquinanti.**  
*Dust cup in HITREL, with colour codes, to stop dust and other polluting substances.*
- 4) **Dado per regolazione premistoppa.**  
*Gland nut.*
- 5) **Controdado.**  
*Lock nut.*
- 6) **Anello di compressione guarnizione.**  
*Compression ring for gasket.*
- 7) **Corpo valvola.**  
*Bonnet.*
- 8) **Guarnizione in PTFE fino a 200 C° / in Graphoil fino a 480 C° .**  
**Posizionata al di sotto della filettatura per impedire il contatto col fluido di processo.**  
*Packing in PTFE up to 200 C° / in Graphoil up to 480 C° . It's placed under the thread to prevent contacts with the process fluid.*
- 9) **Stelo di manovra.**  
*Stem.*
- 10) **Otturatore snodato con tenuta metallica, finitura Q.4 Ra sul cono.**  
*Jointed plug with Metal seal, Q.4 Ra finish on the cone.*
- 11) **Guarnizione metallica.**  
*Metal seal.*

\* **Parti bagnate**  
*Wetted parts*



blu - blue

**Isolate** : Esclusione del processo.  
*Process isolation.*



verde - green

**Equalise** : Equalizzazione dello strumento.  
*Instrument equalisation.*



ROSSO - red

**Vent.** : Drenaggi o dello strumento.  
*Instrument drain.*

### TABELLA DEI MATERIALI

| 1  | MANOPOLA A BARRA      | AISI 303         |
|----|-----------------------|------------------|
| 2  | GRANO DI FISSAGGIO    | AISI 304         |
| 3  | CAPPUCCIO             | HYTREL           |
| 4  | PREMISTOPPA           | AISI 316L        |
| 5  | CONTRODADO            | AISI 316L        |
| 6  | ANELLO                | AISI 316L        |
| 7  | CORPO VALVOLA         | AISI 316L        |
| 8  | GUARNIZIONE           | PTFE / GRAP HOIL |
| 9  | STELO                 | AISI 316L        |
| 10 | OTTURATORE            | AISI 316L        |
| 11 | GUARNIZIONE METALLICA | AISI 316L        |

A richiesta del cliente esecuzioni speciali di materiali, ecc.

### MATERIALS TABLE

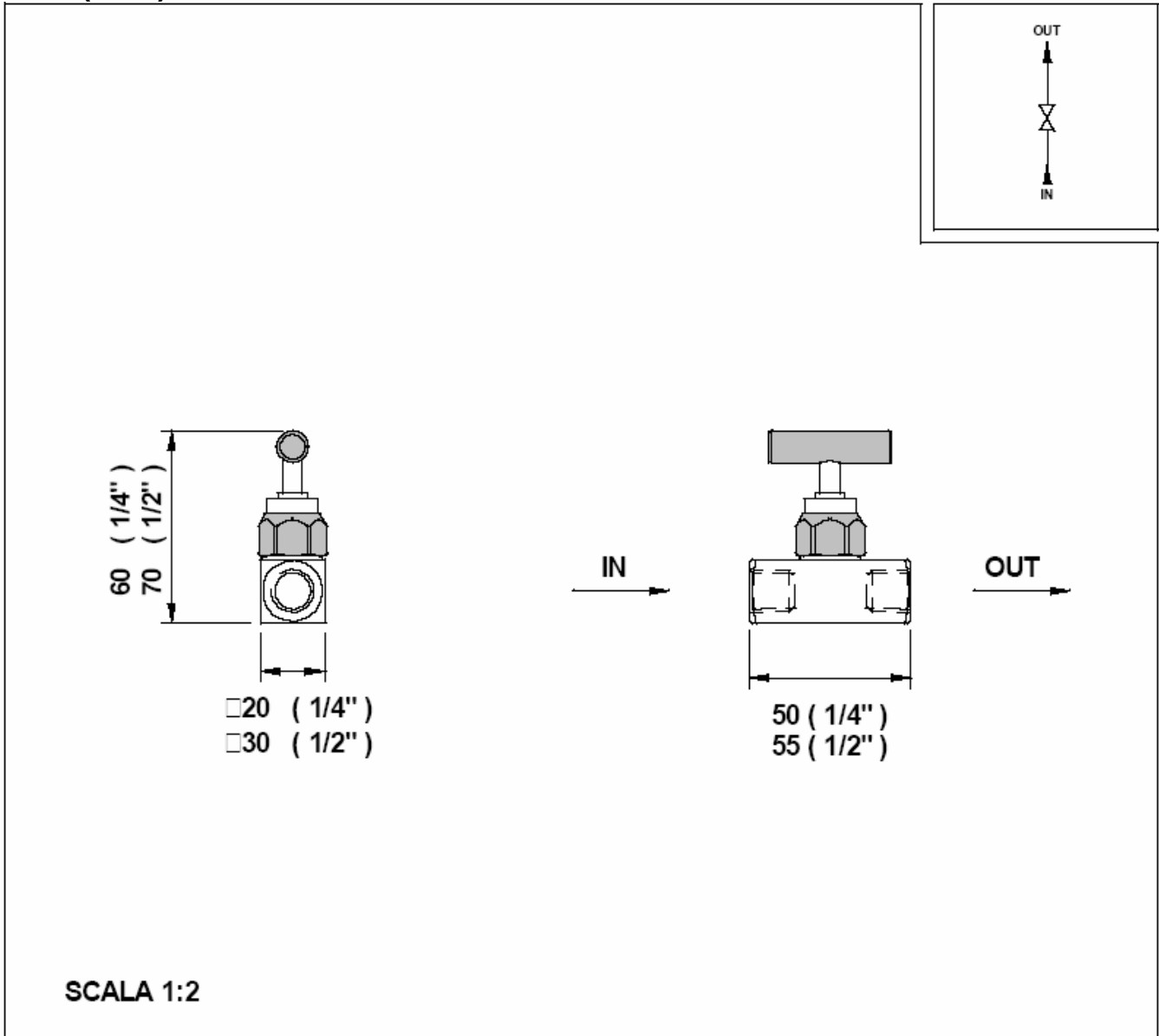
| 1  | TEE BAR    | AISI 303        |
|----|------------|-----------------|
| 2  | FIXING     | AISI 304        |
| 3  | CAP        | HYTREL          |
| 4  | GLAND NUT  | AISI 316L       |
| 5  | LOCK NUT   | AISI 316L       |
| 6  | RING       | AISI 316L       |
| 7  | BONNET     | AISI 316L       |
| 8  | PACKING    | PTFE / GRAPHOIL |
| 9  | STEM       | AISI 316L       |
| 10 | PLUG       | AISI 316L       |
| 11 | METAL SEAL | AISI 316L       |

Special executions of materials, etc. are available on customer's request

FABBRICAZIONE SI IMPEGNA A MIGLIORARE COSTANTEMENTE I PROPRI PRODOTTI E PERTANTO SI RISERVA IL DIRITTO DI MODIFICARE DATI, CARATTERISTICHE E PRESTAZIONI SENZA DARE ALCUN PREAVVISO.  
*Manufacturer commits itself to constantly improve its products and therefore it reserves the right to modify data, features and performances without notice.*

**VALVOLA DA BARRA MIGNON serie 3000 p.s.i.**  
**FILETTATA Femmina/Femmina**  
**MIGNON BAR STOCK VALVE rating 3000 p.s.i.**  
**THREADED Female/Female**

**1350 (MFF)**



**SCALA 1:2**

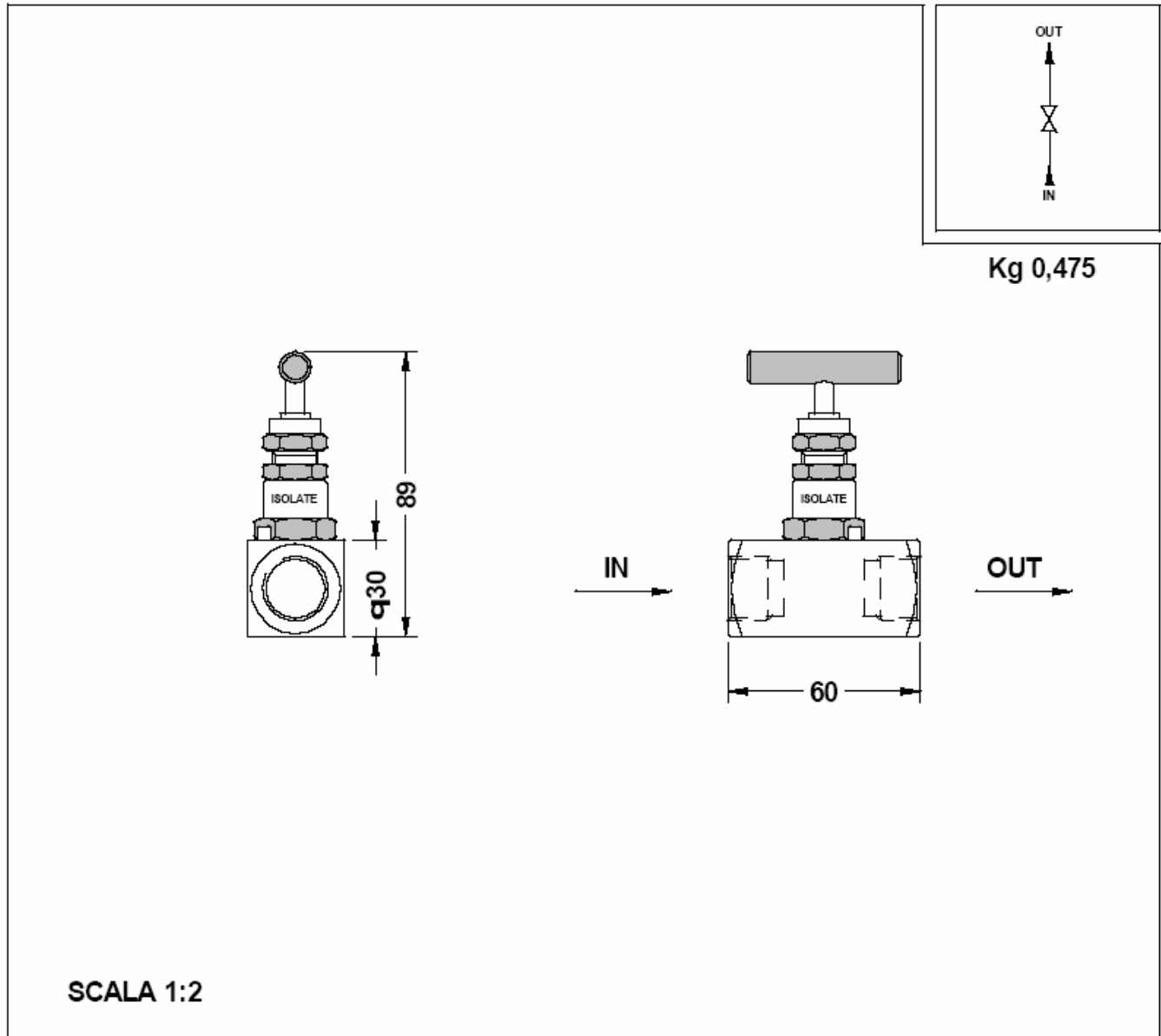
| Codice<br>Code | Entrata<br>In | Uscita<br>Out | Materiale<br>Material | Tenuta<br>Packing |          |
|----------------|---------------|---------------|-----------------------|-------------------|----------|
| 1350BBABAACA   | 1/4" NPT-F    | 1/4" NPT-F    | Carbon steel          | O-RING            | MFF5BCTO |
| 1350BBBBBACA   | 1/4" BSPP-F   | 1/4" BSPP-F   | Carbon steel          | O-RING            | MFF5ECTO |
| 1350BDADAACA   | 1/2" NPT-F    | 1/2" NPT-F    | Carbon steel          | O-RING            | MFF5ICTO |
| 1350BBABABCA   | 1/4" NPT-F    | 1/4" NPT-F    | AISI 316L             | O-RING            | MFF5BRTO |
| 1350BBBBBBBCA  | 1/4" BSPP-F   | 1/4" BSPP-F   | AISI 316L             | O-RING            | MFF5ERTO |
| 1350BDADABCA   | 1/2" NPT-F    | 1/2" NPT-F    | AISI 316L             | O-RING            | MFF5IRTO |

A richiesta del cliente esecuzioni speciali di materiali, attacchi entrata/uscita, ecc.  
 Special executions of materials, in / out connections, etc. are available on customer's request

FABBRICAZIONE SI IMPEGNA A MIGLIORARE COSTANTEMENTE I PROPRI PRODOTTI E PERTANTO SI RISERVA IL DIRITTO DI MODIFICARE DATI, CARATTERISTICHE E PRESTAZIONI SENZA DARE ALCUN PREAVVISO.  
 Manufacturer commits itself to constantly improve its products and therefore it reserves the right to modify data, features and performances without notice.

**VALVOLA DA BARRA serie 6000 p.s.i.**  
**FILETTATA Femmina/Femmina**  
**BAR STOCK VALVE rating 6000 p.s.i.**  
**THREADED Female/Female**

**1000 (VFF)**



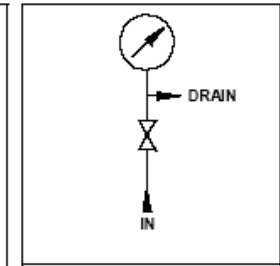
| Codice Code  | Entrata In | Uscita Out | Materiale Material | Tenuta Packing |           |
|--------------|------------|------------|--------------------|----------------|-----------|
| 1000CBABAABA | 1/4" NPT-F | 1/4" NPT-F | Carbon steel       | Graphoil       | VFF5BCTG  |
| 1000CBABAAAA | 1/4" NPT-F | 1/4" NPT-F | Carbon steel       | PTFE           | VFF5BCTT  |
| 1000CDADAABA | 1/2" NPT-F | 1/2" NPT-F | Carbon steel       | Graphoil       | VFF5ICTG  |
| 1000CDADAAAA | 1/2" NPT-F | 1/2" NPT-F | Carbon steel       | PTFE           | VFF5ICTT  |
| 1000CBABABBA | 1/4" NPT-F | 1/4" NPT-F | AISI 316L          | Graphoil       | VFF5BRTG  |
| 1000CBABABAA | 1/4" NPT-F | 1/4" NPT-F | AISI 316L          | PTFE           | VFF5BR TT |
| 1000CDADABBA | 1/2" NPT-F | 1/2" NPT-F | AISI 316L          | Graphoil       | VFF5IRTG  |
| 1000CDADABAA | 1/2" NPT-F | 1/2" NPT-F | AISI 316L          | PTFE           | VFF5IR TT |

A richiesta del cliente esecuzioni speciali di materiali, attacchi entrata/uscita, ecc.  
 Special executions of materials, in / out connections, etc. are available on customer's request

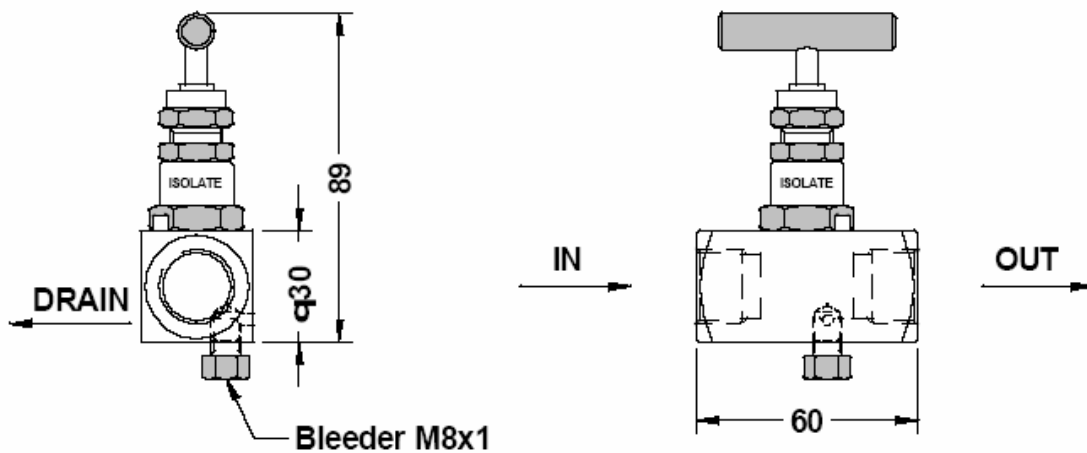
FABBRICAZIONE SI IMPEGNA A MIGLIORARE COSTANTEMENTE I PROPRI PRODOTTI E PERTANTO SI RISERVA IL DIRITTO DI MODIFICARE DATI, CARATTERISTICHE E PRESTAZIONI SENZA DARE ALCUN PREAVVISO.  
 Manufacturer commits itself to constantly improve its products and therefore it reserves the right to modify data, features and performances without notice.

**VALVOLA DA BARRA serie 6000 p.s.i.**  
**FILETTATA Femmina/Femmina con spurgo M8x1**  
**BAR STOCK VALVE rating 6000 p.s.i.**  
**THREADED Female/Female with bleeder M8x1**

**1050 (VBF)**



**Kg 0,510**



**SCALA 1:2**

| Codice Code  | Entrata In | Uscita Out | Materiale Material | Tenuta Packing |
|--------------|------------|------------|--------------------|----------------|
| 1050CBABAABA | 1/4" NPT-F | 1/4" NPT-F | Carbon steel       | Graphoil       |
| 1050CBABAAAA | 1/4" NPT-F | 1/4" NPT-F | Carbon steel       | PTFE           |
| 1050CDADAABA | 1/2" NPT-F | 1/2" NPT-F | Carbon steel       | Graphoil       |
| 1050CDADAAAA | 1/2" NPT-F | 1/2" NPT-F | Carbon steel       | PTFE           |
| 1050CBABABBA | 1/4" NPT-F | 1/4" NPT-F | AISI 316L          | Graphoil       |
| 1050CBABABAA | 1/4" NPT-F | 1/4" NPT-F | AISI 316L          | PTFE           |
| 1050CDADABBA | 1/2" NPT-F | 1/2" NPT-F | AISI 316L          | Graphoil       |
| 1050CDADABAA | 1/2" NPT-F | 1/2" NPT-F | AISI 316L          | PTFE           |

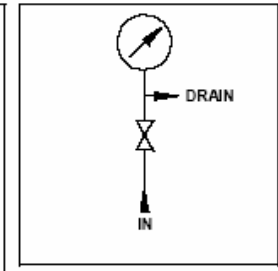
|                  |
|------------------|
| <b>VBF5BCTG</b>  |
| <b>VBF5BCTT</b>  |
| <b>VBF5ICTG</b>  |
| <b>VBF5ICTT</b>  |
| <b>VBF5BRTG</b>  |
| <b>VBF5BR TT</b> |
| <b>VBF5IRTG</b>  |
| <b>VBF5IR TT</b> |

A richiesta del cliente esecuzioni speciali di materiali, attacchi entrata/uscita, ecc.  
 Special executions of materials, in / out connections, etc. are available on customer's request

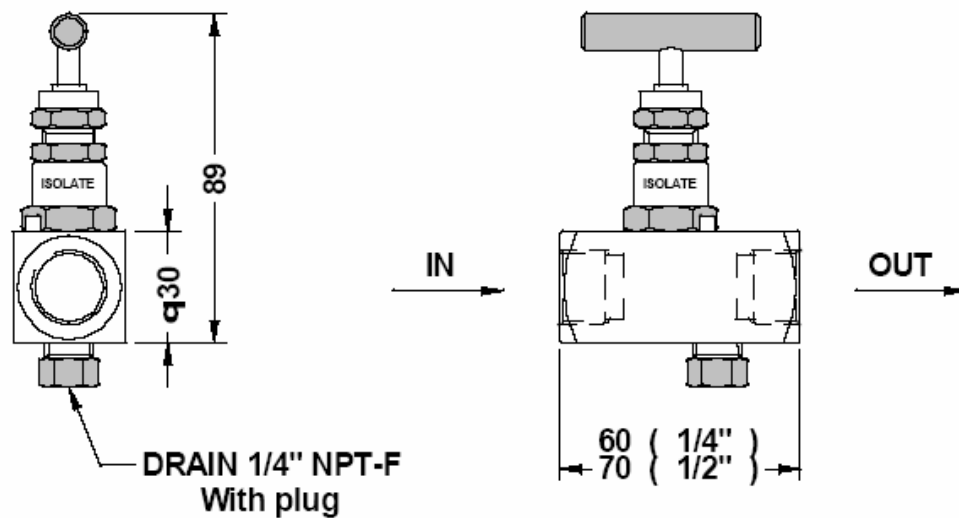
FABBRICAZIONE SI IMPEGNA A MIGLIORARE COSTANTEMENTE I PROPRI PRODOTTI E PERTANTO SI RISERVA IL DIRITTO DI MODIFICARE DATI, CARATTERISTICHE E PRESTAZIONI SENZA DARE ALCUN PREAVVISO.  
 Manufacturer commits itself to constantly improve its products and therefore it reserves the right to modify data, features and performances without notice.

**VALVOLA DA BARRA serie 6000 p.s.i.**  
**FILETTATA Femmina/Femmina con spurgo 1/4" NPT-F**  
**BAR STOCK VALVE rating 6000 p.s.i.**  
**THREADED Female/Female with 1/4" NPT-F drain**

**1100 (VVF)**



**Kg 0,510**



**SCALA 1:2**

| Codice<br>Code | Entrata<br>In | Uscita<br>Out | Materiale<br>Material | Tenuta<br>Packing |
|----------------|---------------|---------------|-----------------------|-------------------|
| 1100CBABAABA   | 1/4" NPT-F    | 1/4" NPT-F    | Carbon steel          | Graphoil          |
| 1100CBABAAAA   | 1/4" NPT-F    | 1/4" NPT-F    | Carbon steel          | PTFE              |
| 1100CDADAABA   | 1/2" NPT-F    | 1/2" NPT-F    | Carbon steel          | Graphoil          |
| 1100CDADAAAA   | 1/2" NPT-F    | 1/2" NPT-F    | Carbon steel          | PTFE              |
| 1100CBABABBA   | 1/4" NPT-F    | 1/4" NPT-F    | AISI 316L             | Graphoil          |
| 1100CBABABAA   | 1/4" NPT-F    | 1/4" NPT-F    | AISI 316L             | PTFE              |
| 1100CDADABBA   | 1/2" NPT-F    | 1/2" NPT-F    | AISI 316L             | Graphoil          |
| 1100CDADABAA   | 1/2" NPT-F    | 1/2" NPT-F    | AISI 316L             | PTFE              |

|         |
|---------|
| VF5BCTG |
| VF5BCTT |
| VF5ICTG |
| VF5ICTT |

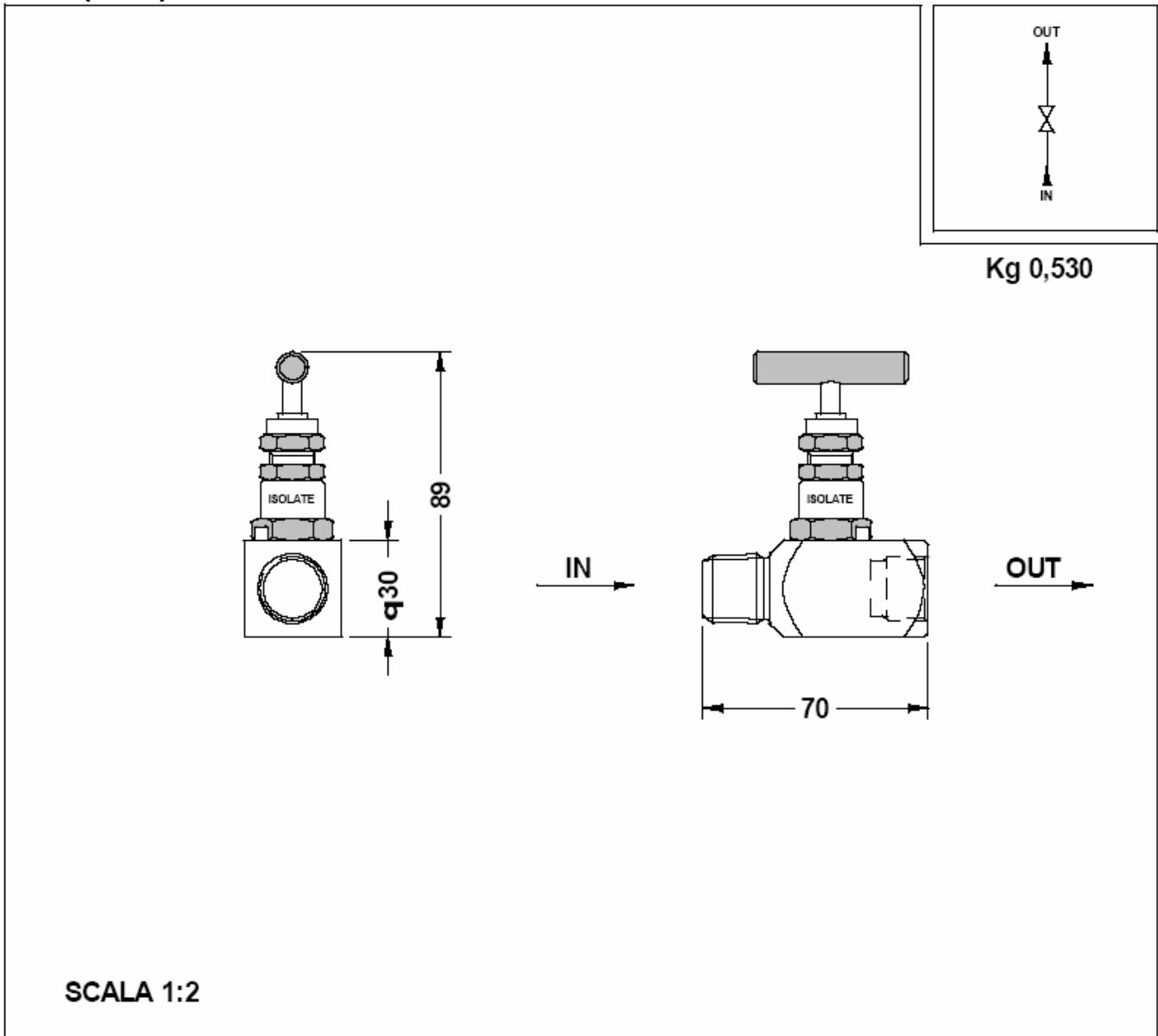
|          |
|----------|
| VF5BRTG  |
| VF5BR TT |
| VF5IRTG  |
| VF5IR TT |

A richiesta del cliente esecuzioni speciali di materiali, attacchi entrata/uscita, ecc.  
 Special executions of materials, in / out connections, etc. are available on customer's request

FABBRICAZIONE SI IMPEGNA A MIGLIORARE COSTANTEMENTE I PROPRI PRODOTTI E PERTANTO SI RISERVA IL DIRITTO DI MODIFICARE DATI, CARATTERISTICHE E PRESTAZIONI SENZA DARE ALCUN PREAVVISO.  
 Manufacturer commits itself to constantly improve its products and therefore it reserves the right to modify data, features and performances without notice.

**VALVOLA DA BARRA serie 6000 p.s.i.**  
**FILETTATA Maschio/Femmina**  
**BAR STOCK VALVE rating 6000 p.s.i.**  
**THREADED Male/Female**

**1150 (VMF)**



| Codice<br>Code | Entrata<br>In | Uscita<br>Out | Materiale<br>Material | Tenuta<br>Packing |
|----------------|---------------|---------------|-----------------------|-------------------|
| 1150CBABAABA   | 1/4" NPT-M    | 1/4" NPT-F    | Carbon steel          | Graphoil          |
| 1150CBABAAAA   | 1/4" NPT-M    | 1/4" NPT-F    | Carbon steel          | PTFE              |
| 1150CDADAABA   | 1/2" NPT-M    | 1/2" NPT-F    | Carbon steel          | Graphoil          |
| 1150CDADAAAA   | 1/2" NPT-M    | 1/2" NPT-F    | Carbon steel          | PTFE              |
| 1150CBABABBA   | 1/4" NPT-M    | 1/4" NPT-F    | AISI 316L             | Graphoil          |
| 1150CBABABAA   | 1/4" NPT-M    | 1/4" NPT-F    | AISI 316L             | PTFE              |
| 1150CDADABBA   | 1/2" NPT-M    | 1/2" NPT-F    | AISI 316L             | Graphoil          |
| 1150CDADABAA   | 1/2" NPT-M    | 1/2" NPT-F    | AISI 316L             | PTFE              |

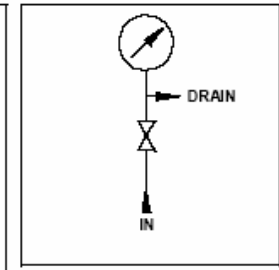
|          |
|----------|
| VMF5BCTG |
| VMF5BCTT |
| VMF5ICTG |
| VMF5ICTT |
| VMF5BRTG |
| VMF5BRTT |
| VMF5IRTG |
| VMF5IRTT |

A richiesta del cliente esecuzioni speciali di materiali, attacchi entrata/uscita, ecc.  
 Special executions of materials, in / out connections, etc. are available on customer's request

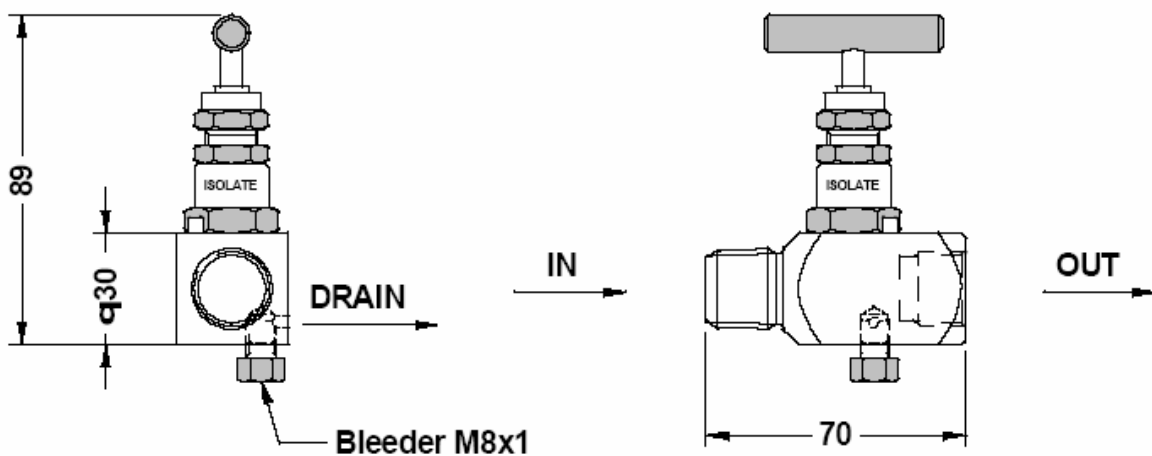
FABBRICAZIONE SI IMPEGNA A MIGLIORARE COSTANTEMENTE I PROPRI PRODOTTI E PERTANTO SI RISERVA IL DIRITTO DI MODIFICARE DATI, CARATTERISTICHE E PRESTAZIONI SENZA DARE ALCUN PREAVVISO.  
 Manufacturer commits itself to constantly improve its products and therefore it reserves the right to modify data, features and performances without notice.

**VALVOLA DA BARRA serie 6000 p.s.i.**  
**FILETTATA Maschio/Femmina con spurgo M8x1**  
**BAR STOCK VALVE rating 6000 p.s.i.**  
**THREADED Male/Female with bleeder M8x1**

**1200 (VBM)**



**Kg 0,530**



**SCALA 1:2**

| Codice<br>Code | Entrata<br>In | Uscita<br>Out | Materiale<br>Material | Tenuta<br>Packing |
|----------------|---------------|---------------|-----------------------|-------------------|
| 1200CBABAABA   | 1/4" NPT-M    | 1/4" NPT-F    | Carbon steel          | Graphoil          |
| 1200CBABAAAA   | 1/4" NPT-M    | 1/4" NPT-F    | Carbon steel          | PTFE              |
| 1200CDADAABA   | 1/2" NPT-M    | 1/2" NPT-F    | Carbon steel          | Graphoil          |
| 1200CDADAAAA   | 1/2" NPT-M    | 1/2" NPT-F    | Carbon steel          | PTFE              |
| 1200CBABABBA   | 1/4" NPT-M    | 1/4" NPT-F    | AISI 316L             | Graphoil          |
| 1200CBABABAA   | 1/4" NPT-M    | 1/4" NPT-F    | AISI 316L             | PTFE              |
| 1200CDADABBA   | 1/2" NPT-M    | 1/2" NPT-F    | AISI 316L             | Graphoil          |
| 1200CDADABAA   | 1/2" NPT-M    | 1/2" NPT-F    | AISI 316L             | PTFE              |

|          |
|----------|
| VBM5BCTG |
| VBM5BCTT |
| VBM5ICTG |
| VBM5ICTT |

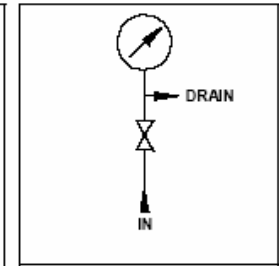
|          |
|----------|
| VBM5BRTG |
| VBM5BRIT |
| VBM5IRTG |
| VBM5IRIT |

A richiesta del cliente esecuzioni speciali di materiali, attacchi entrata/uscita, ecc.  
 Special executions of materials, in / out connections, etc. are available on customer's request

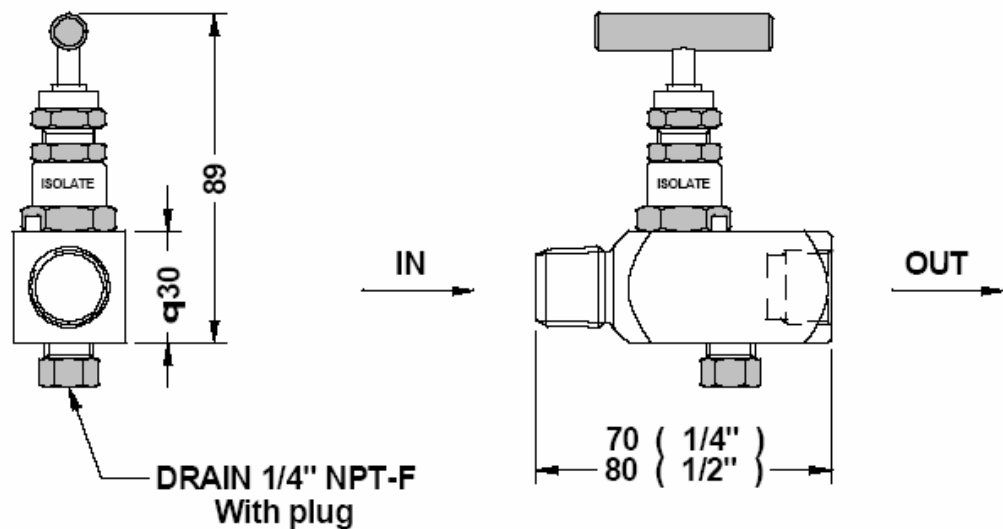
FABBRICAZIONE SI IMPEGNA A MIGLIORARE COSTANTEMENTE I PROPRI PRODOTTI E PERTANTO SI RISERVA IL DIRITTO DI MODIFICARE DATI, CARATTERISTICHE E PRESTAZIONI SENZA DARE ALCUN PREAVVISO.  
 Manufacturer commits itself to constantly improve its products and therefore it reserves the right to modify data, features and performances without notice.

**VALVOLA DA BARRA serie 6000 p.s.i.**  
**FILETTATA Maschio/Femmina con spurgo 1/4" NPT-F**  
**BAR STOCK VALVE rating 6000 p.s.i.**  
**THREADED Male/Female with 1/4" NPT-F drain**

**1250 (VVM)**



**Kg 0,590**



**SCALA 1:2**

| Codice<br>Code | Entrata<br>In | Uscita<br>Out | Materiale<br>Material | Tenuta<br>Packing |
|----------------|---------------|---------------|-----------------------|-------------------|
| 1250CBABAABA   | 1/4" NPT-M    | 1/4" NPT-F    | Carbon steel          | Graphoil          |
| 1250CBABAAAA   | 1/4" NPT-M    | 1/4" NPT-F    | Carbon steel          | PTFE              |
| 1250CDADAABA   | 1/2" NPT-M    | 1/2" NPT-F    | Carbon steel          | Graphoil          |
| 1250CDADAAAA   | 1/2" NPT-M    | 1/2" NPT-F    | Carbon steel          | PTFE              |
| 1250CBABABBA   | 1/4" NPT-M    | 1/4" NPT-F    | AISI 316L             | Graphoil          |
| 1250CBABABAA   | 1/4" NPT-M    | 1/4" NPT-F    | AISI 316L             | PTFE              |
| 1250CBABABBA   | 1/2" NPT-M    | 1/2" NPT-F    | AISI 316L             | Graphoil          |
| 1250CBABABAA   | 1/2" NPT-M    | 1/2" NPT-F    | AISI 316L             | PTFE              |

|          |
|----------|
| VVM5BCTG |
| VVM5BCTT |
| VVM5ICTG |
| VVM5ICTT |

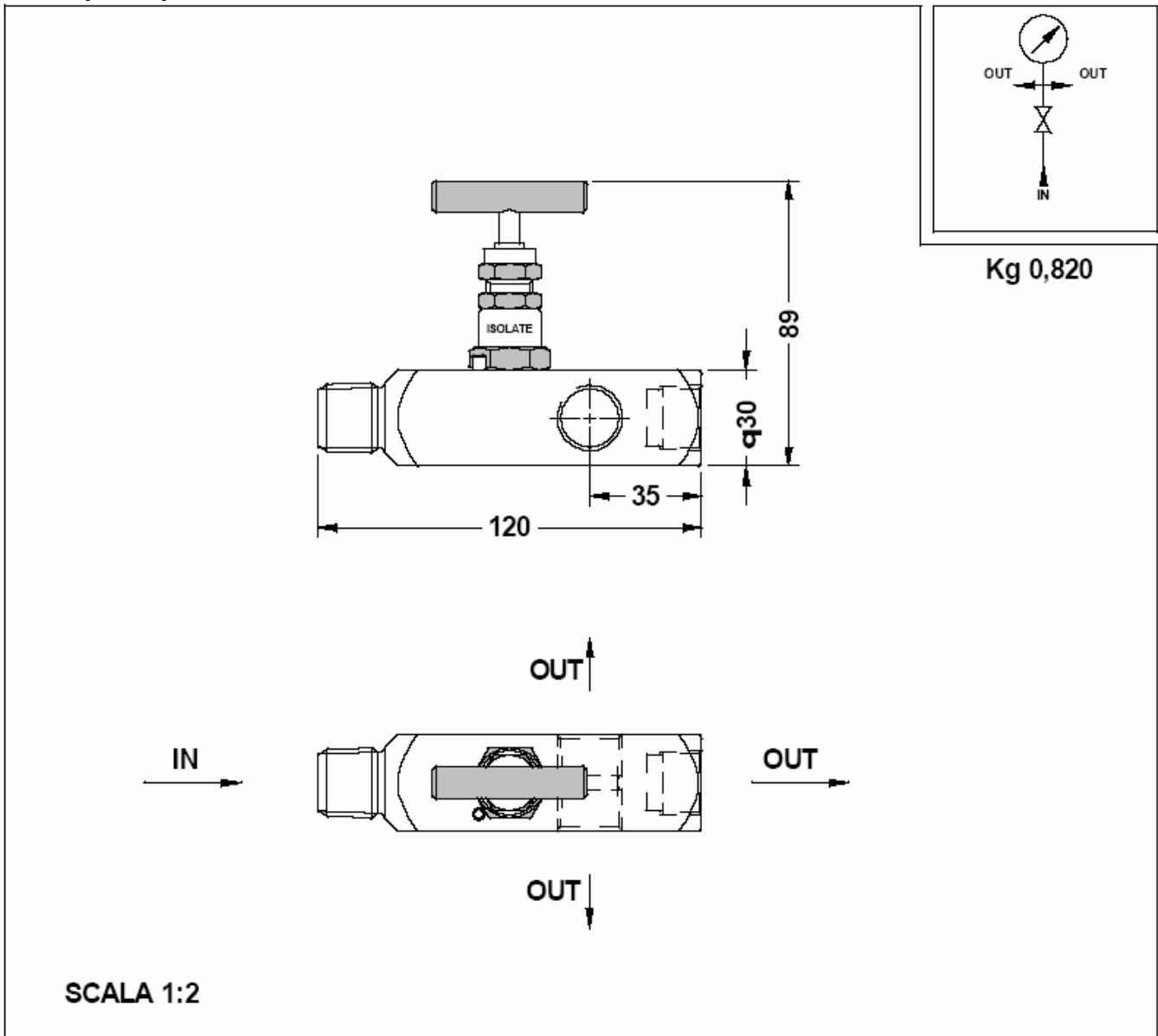
|          |
|----------|
| VVM5BRTG |
| VVM5BRRT |
| VVM5IRTG |
| VVM5IRTT |

A richiesta del cliente esecuzioni speciali di materiali, attacchi entrata/uscita, ecc.  
 Special executions of materials, in / out connections, etc. are available on customer's request

FABBRICAZIONE SI IMPEGNA A MIGLIORARE COSTANTEMENTE I PROPRI PRODOTTI E PERTANTO SI RISERVA IL DIRITTO DI MODIFICARE DATI, CARATTERISTICHE E PRESTAZIONI SENZA DARE ALCUN PREAVVISO.  
 Manufacturer commits itself to constantly improve its products and therefore it reserves the right to modify data, features and performances without notice.

**VALVOLA DA BARRA ( multiport ) serie 6000 p.s.i.**  
**FILETTATA ingresso maschio e 3 uscite femmina**  
**BAR STOCK VALVE ( multiport ) rating 6000 p.s.i.**  
**THREADED male inlet and three female outlets**

## 1300 (VMP)



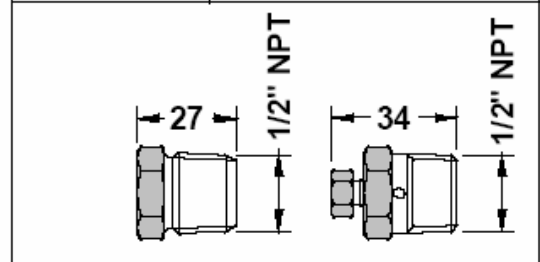
| Codice<br>Code | Entrata<br>In | Uscita<br>Out | Materiale<br>Material | Tenuta<br>Packing |
|----------------|---------------|---------------|-----------------------|-------------------|
| 1300CDADAABA   | 1/2" NPT-M    | 1/2" NPT-F    | Carbon steel          | Graphoil          |
| 1300CDADAAAA   | 1/2" NPT-M    | 1/2" NPT-F    | Carbon steel          | PTFE              |
| 1300CDADABBA   | 1/2" NPT-M    | 1/2" NPT-F    | AISI 316L             | Graphoil          |
| 1300CDADABAA   | 1/2" NPT-M    | 1/2" NPT-F    | AISI 316L             | PTFE              |

| Accessori non inclusi<br>Not included accessories |                                     |
|---|-------------------------------------|
| cod. XGVSY013Y1                                   | tappo plug 1/2" NPT-M c.s.          |
| cod. XGVSY038Y1                                   | bleeder bleeder 1/2" NPT-M c.s.     |
| cod. XGVSY013Y0                                   | tappo plug 1/2" NPT-M AISI 316      |
| cod. XGVSY038Y0                                   | bleeder bleeder 1/2" NPT-M AISI 316 |

- VMP5ICTG
- VMP5ICTT
- VMP5IRTG
- VMP5IRTT

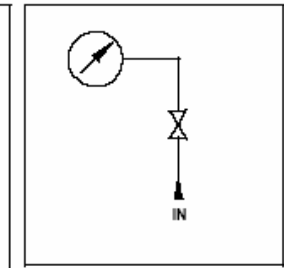
A richiesta del cliente esecuzioni speciali di materiali, attacchi entrata/uscita, ecc.  
 Special executions of materials, in / out connections, etc. are available on customer's request

FABBRICAZIONE SI IMPEGNA A MIGLIORARE COSTANTEMENTE I PROPRI PRODOTTI E PERTANTO SI RISERVA IL DIRITTO DI MODIFICARE DATI, CARATTERISTICHE E PRESTAZIONI SENZA DARE ALCUN PREAVVISO.  
 Manufacturer commits itself to constantly improve its products and therefore it reserves the right to modify data, features and performances without notice.

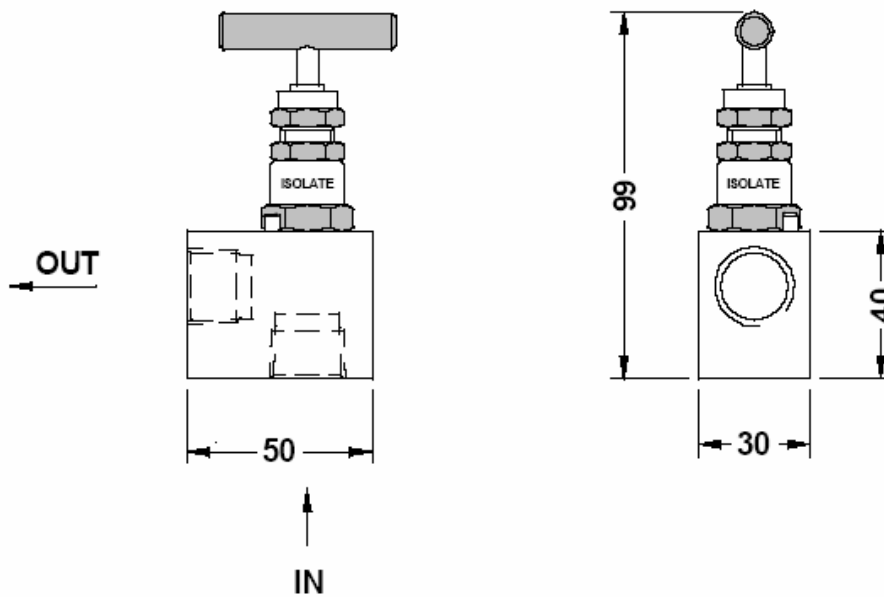


**VALVOLA DA BARRA serie 6000 p.s.i.**  
**FILETTATA Femmina/Femmina a 90°**  
**BAR STOCK VALVE rating 6000 p.s.i.**  
**THREADED Female/Female 90°connection**

**1550 (VAS)**



**Kg 0,680**



**SCALA 1:2**

| Codice<br>Code | Entrata<br>In | Uscita<br>Out | Materiale<br>Material | Tenuta<br>Packing |
|----------------|---------------|---------------|-----------------------|-------------------|
| 1550CBABAABA   | 1/4" NPT-F    | 1/4" NPT-F    | Carbon steel          | Graphoil          |
| 1550CBABAAAA   | 1/4" NPT-F    | 1/4" NPT-F    | Carbon steel          | PTFE              |
| 1550CDADAABA   | 1/2" NPT-F    | 1/2" NPT-F    | Carbon steel          | Graphoil          |
| 1550CDADAAAA   | 1/2" NPT-F    | 1/2" NPT-F    | Carbon steel          | PTFE              |
| 1550CBABABBA   | 1/4" NPT-F    | 1/4" NPT-F    | AISI 316L             | Graphoil          |
| 1550CBABABAA   | 1/4" NPT-F    | 1/4" NPT-F    | AISI 316L             | PTFE              |
| 1550CDADABBA   | 1/2" NPT-F    | 1/2" NPT-F    | AISI 316L             | Graphoil          |
| 1550CDADABAA   | 1/2" NPT-F    | 1/2" NPT-F    | AISI 316L             | PTFE              |

|          |
|----------|
| VAS5BCTG |
| VAS5BCTT |
| VAS5ICTG |
| VAS5ICTT |

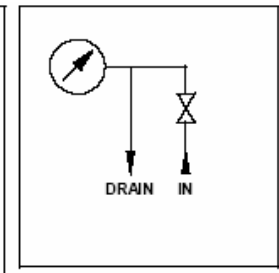
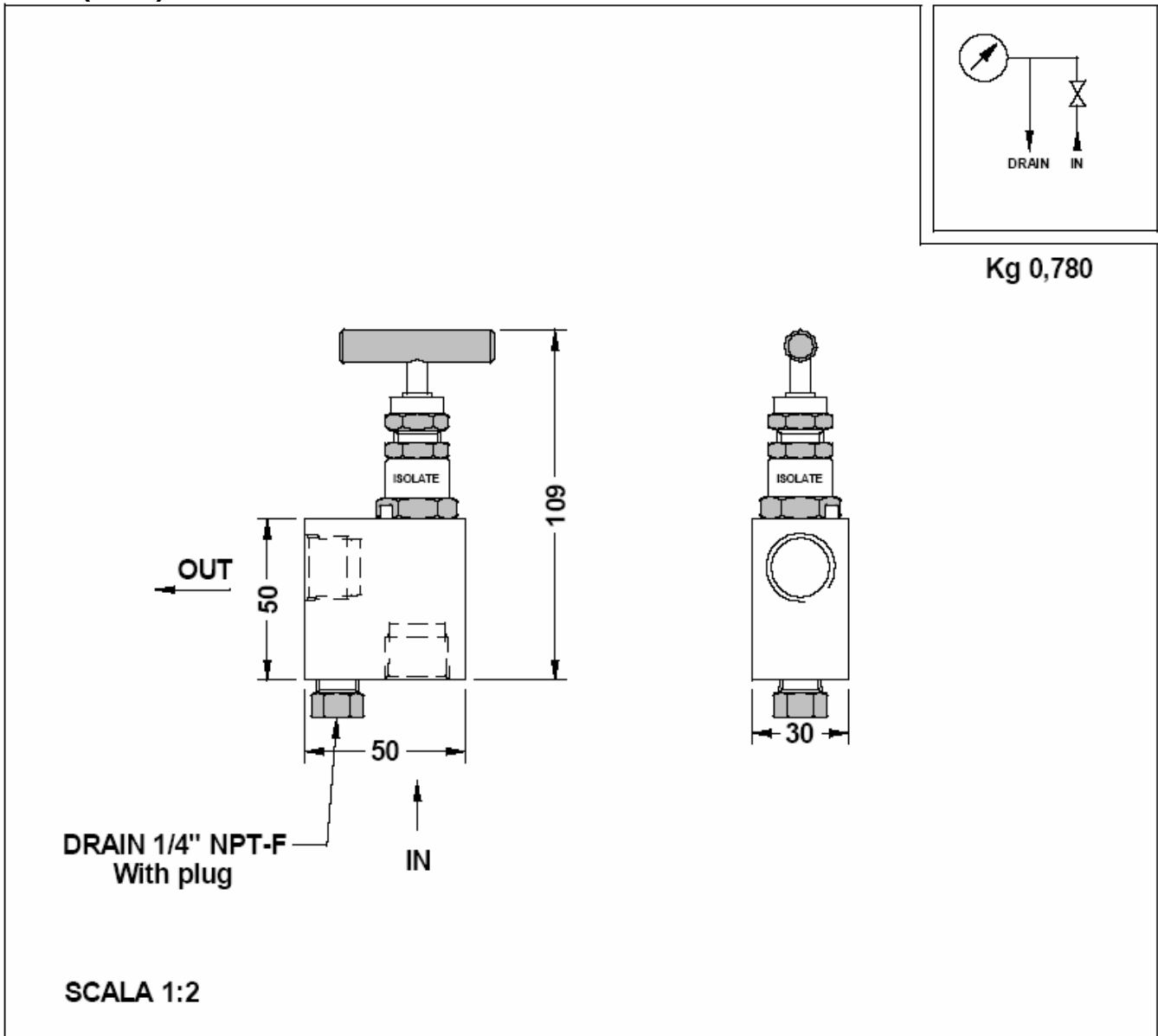
|           |
|-----------|
| VAS5BRTG  |
| VAS5BR TT |
| VAS5IRTG  |
| VAS5IR TT |

A richiesta del cliente esecuzioni speciali di materiali, attacchi entrata/uscita, ecc.  
 Special executions of materials, in / out connections, etc. are available on customer's request

FABBRICAZIONE SI IMPEGNA A MIGLIORARE COSTANTEMENTE I PROPRI PRODOTTI E PERTANTO SI RISERVA IL DIRITTO DI MODIFICARE DATI, CARATTERISTICHE E PRESTAZIONI SENZA DARE ALCUN PREAVVISO.  
 Manufacturer commits itself to constantly improve its products and therefore it reserves the right to modify data, features and performances without notice.

**VALVOLA DA BARRA serie 6000 p.s.i.**  
**FILETTATA Femmina/Femmina a 90° con spurgo 1/4" NPT-F**  
**BAR STOCK VALVE rating 6000 p.s.i.**  
**THREADED Female/Female 90° connection with 1/4" NPT-F drain**

**1600 (VAF)**



**Kg 0,780**

**SCALA 1:2**

| Codice<br>Code | Entrata<br>In | Uscita<br>Out | Materiale<br>Material | Tenuta<br>Packing |
|----------------|---------------|---------------|-----------------------|-------------------|
| 1600CBABAABA   | 1/4" NPT-F    | 1/4" NPT-F    | Carbon steel          | Graphoil          |
| 1600CBABAAAA   | 1/4" NPT-F    | 1/4" NPT-F    | Carbon steel          | PTFE              |
| 1600CDADAABA   | 1/2" NPT-F    | 1/2" NPT-F    | Carbon steel          | Graphoil          |
| 1600CDADAAAA   | 1/2" NPT-F    | 1/2" NPT-F    | Carbon steel          | PTFE              |
| 1600CBABABBA   | 1/4" NPT-F    | 1/4" NPT-F    | AISI 316L             | Graphoil          |
| 1600CBABABAA   | 1/4" NPT-F    | 1/4" NPT-F    | AISI 316L             | PTFE              |
| 1600CDADABBA   | 1/2" NPT-F    | 1/2" NPT-F    | AISI 316L             | Graphoil          |
| 1600CDADABAA   | 1/2" NPT-F    | 1/2" NPT-F    | AISI 316L             | PTFE              |

|                 |
|-----------------|
| <b>VAF5BCTG</b> |
| <b>VAF5BCTT</b> |
| <b>VAF5ICTG</b> |
| <b>VAF5ICTT</b> |

|                  |
|------------------|
| <b>VAF5BRTG</b>  |
| <b>VAF5BR TT</b> |
| <b>VAF5IR TG</b> |
| <b>VAF5IR TT</b> |

A richiesta del cliente esecuzioni speciali di materiali, attacchi entrata/uscita, ecc.  
*Special executions of materials, in / out connections, etc. are available on customer's request*

FABBRICAZIONE SI IMPEGNA A MIGLIORARE COSTANTEMENTE I PROPRI PRODOTTI E PERTANTO SI RISERVA IL DIRITTO DI MODIFICARE DATI, CARATTERISTICHE E PRESTAZIONI SENZA DARE ALCUN PREAVVISO.  
 Manufacturer commits itself to constantly improve its products and therefore it reserves the right to modify data, features and performances without notice.