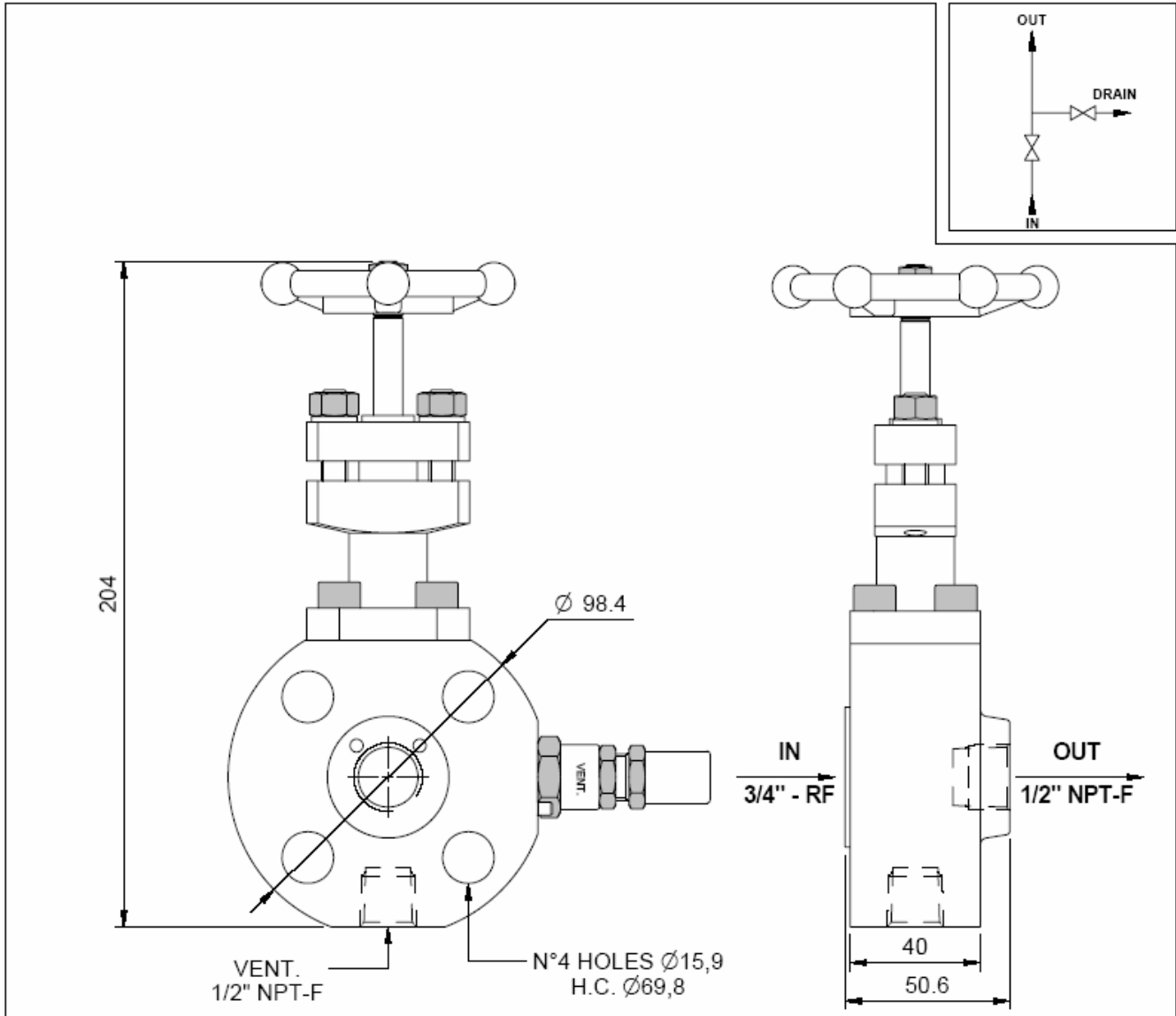


**Monoflange Valve Block - Bleed**  
**Flanged / Threaded connections**  
**IN: 3/4" 150 RF / OUT: 1/2" NPT**  
**Material: AISI F316**

**M3ABAAABA0BB**



CODICE Code	ENTRATA In	USCITA Out	MATERIALE Material	TENUTA Packing
M3ABAAABA0BB	3/4" 150 RF*	1/2" NPT	AISI F316L	PTFE GRAPHOIL **

ACCESSORI INCLUSI Included Accessories		
COD.: A0010/01/05	ANTI TAMPER KEY	1 Pz.

\* GASKET SURFACEFINISH: SMOOTH FINISH

\*\* - PRIMARY VALVE (P.S.&Y.): GRAPHOIL PACKING  
 - BLEED VALVE (ANTI TAMPER) PTFE PACKING

A richiesta del cliente esecuzioni speciali di materiali, attacchi entrata/uscita, ecc.  
 Special executions of materials, in/out connections, etc. are available on customer's request

DIS.: L0M3A/04 | REV.: B0 | PAGINA: 1/2 | FILE: L0M3A-04-A0.dft

FABBRICAZIONE SI IMPEGNA A MIGLIORARE COSTANTEMENTE I PROPRI PRODOTTI E PERTANTO SI RISERVA IL DIRITTO DI MODIFICARE DATI, CARATTERISTICHE E PRESTAZIONI SENZA DARE ALCUN PREAVVISO.  
 Manufacturer commits itself to constantly improve its products and therefore it reserves the right to modify data, features and performances without notice.