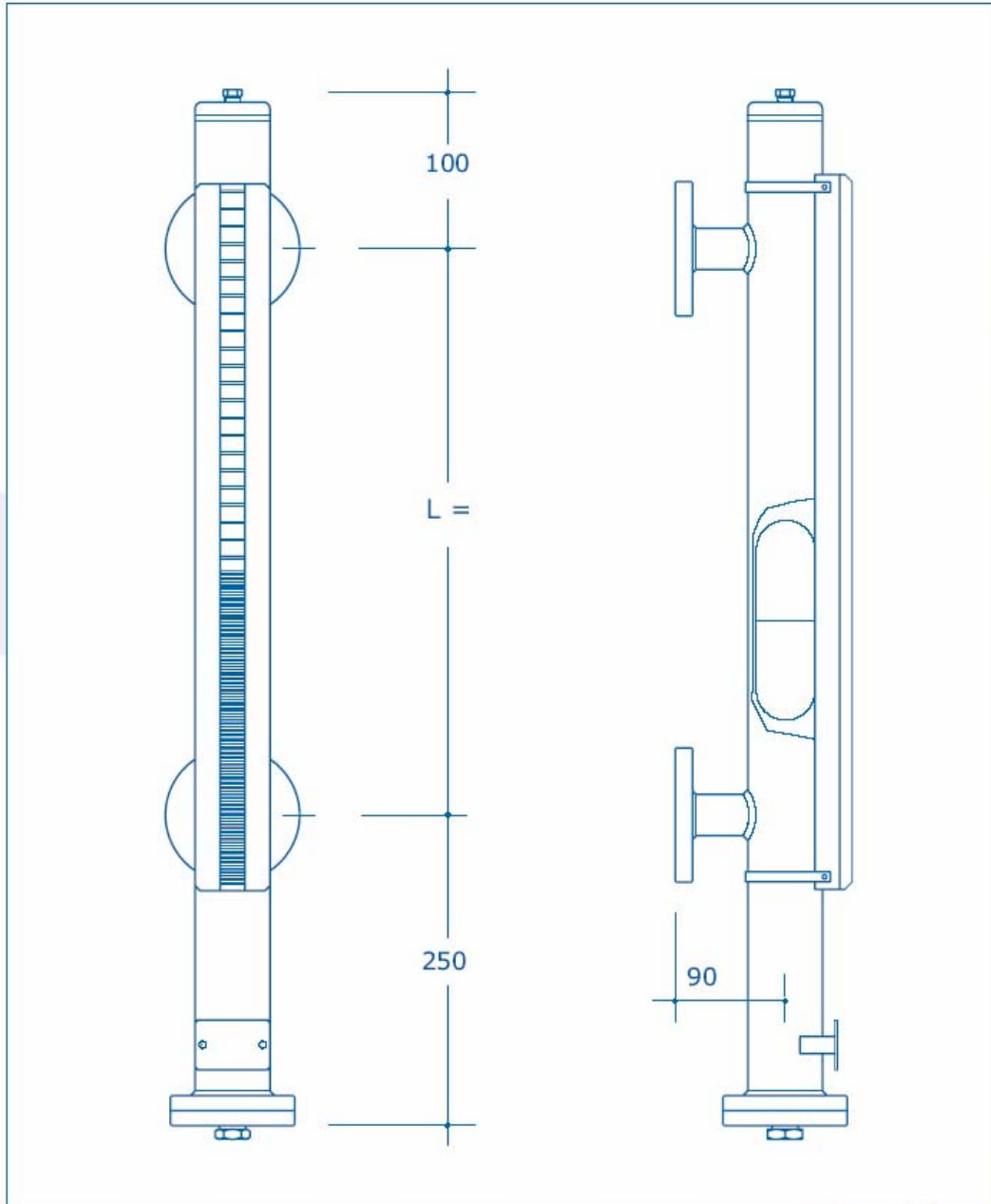


Type **VISCOROL LL**

Magnetic level indicator  
Side mounting outside the tank  
Side / side connections, flanged or threaded



## Type **VISCOROL LL**

### FLANGE CONNECTIONS

U		UNI			A		ANSI		
40	21	22	23	1 1/2	13	14	15		
25	15	16	17	1	09	10	11		
20	09	10	11	3/4	05	06	07		
DN PN	16	40	64	DN PN	150	300	600		

Other sizes upon request

### THREAD CONNECTIONS

F	Gas M	F	NPT M
1/2	12	1/2	19
3/4	13	3/4	20
1	14	1	21
1 1/2	27	1 1/2	28

Other sizes upon request

Indicator body is available in the following sizes:

**VISCOROL 48** \_\_\_\_\_ diameter **48**  
**VISCOROL 60** \_\_\_\_\_ diameter **60**  
**VISCOROL 70** \_\_\_\_\_ diameter **76**

Polycarbonate rolls for general purpose.  
 Aluminium rolls for high temperature  
 ( more than 150 °C of liquid ).

### MEASURING LENGTH

Made upon request and related at plant need.	Lowest length	200 mm
	Longest length	7000 mm

### INDICATOR BODY MATERIALS

4	AISI 304	3	AISI 316 L or Ti	8	PVC	9	PP	A	PVDF
---	----------	---	------------------	---	-----	---	----	---	------

### FLOAT MATERIALS

1	AISI 316 L	2	AISI 316 Ti	3	MONEL	4	HASTELLOY
---	------------	---	-------------	---	-------	---	-----------

5	PVC	6	PP	7	PVDF
---	-----	---	----	---	------

### WORKING PARAMETERS

P	Pressure	T	Temperature	S	Fluid Specific gravity
	Stainless Steels > 200 bar Plastics > 16 bar		S.S. - 60 + 400 °C PVC - 20 + 70 °C PP - 20 + 105 °C PVDF - 20 + 130 °C		> 0,6 kg/liter
			Instruments exposed to pressure danger comply with PED Directive PED 97/23/EC		