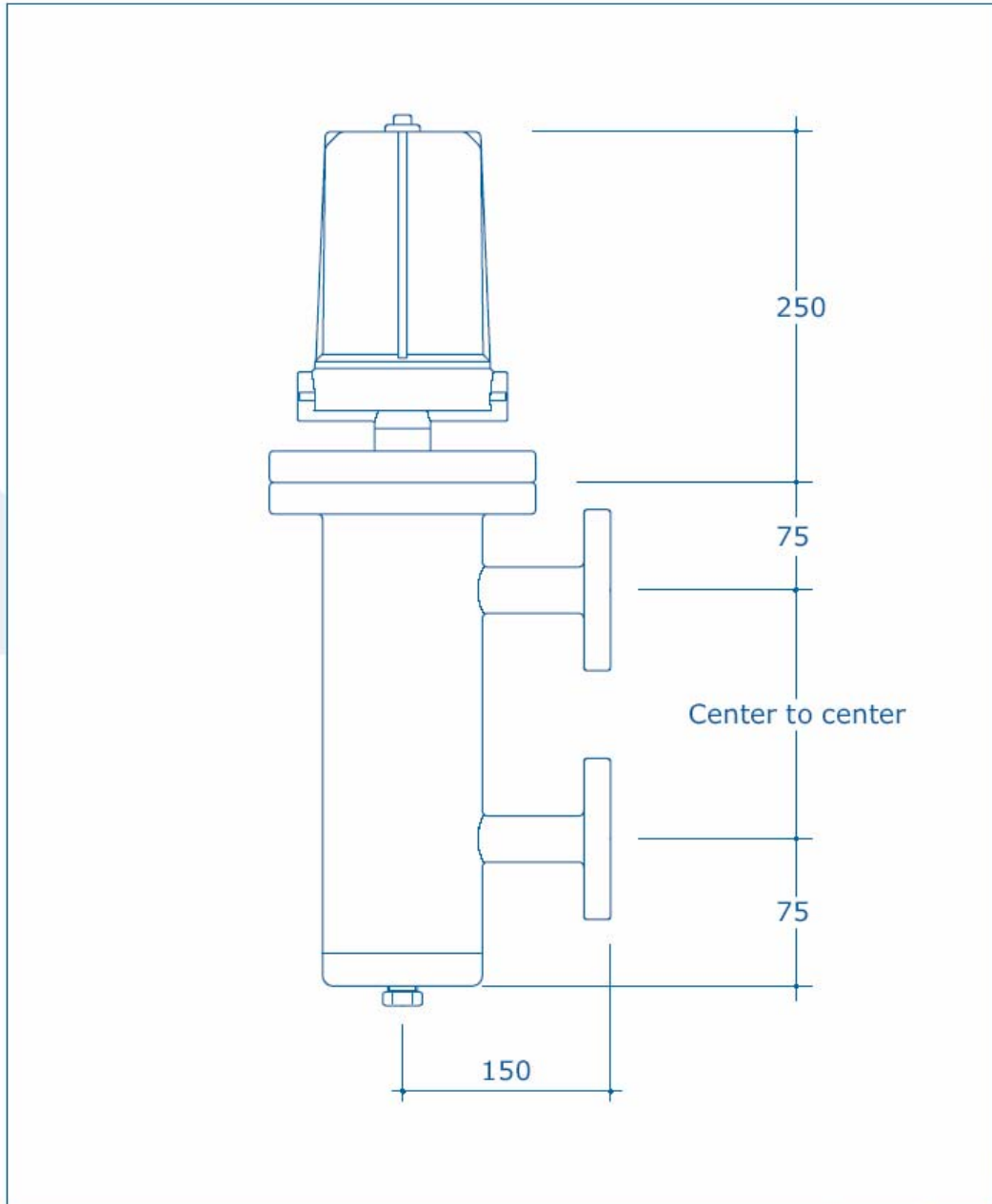


Type

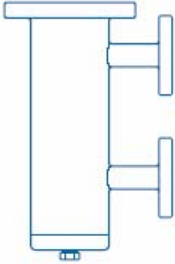
SPIN LL

Magnetic level switch  
Side mount to tank  
Flanged, threaded or weld connections  
Up to two switching points



## Type **SPIN LL**

### FLANGE CONNECTIONS

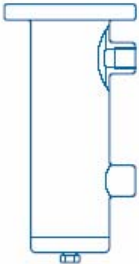


U	UNI		
40	21	22	23
25	15	16	17
20	08	10	11
DN / PN	16	40	64

A	ANSI		
1½	13	14	15
1	09	10	11
¾	05	06	07
DN / PN	150	300	600

Other sizes upon request

### THREAD CONNECTIONS

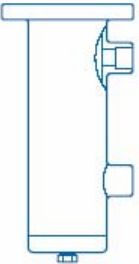


F	Gas F
1/2	12
3/4	13
1	14
1½	27

F	NPT-F
1/2	19
3/4	20
1	21
1½	28

Other sizes upon request

### WELD CONNECTIONS



W	
1/2	01
3/4	02
1	03
1½	04

Other sizes upon request

### COOLING EXTENSION



D	Temperature
	> 150 °C
E	Temperature
	> 250 °C

### CENTER TO CENTER

P	178 mm	Q	220 mm	R	356 mm	Other sizes upon request
---	--------	---	--------	---	--------	--------------------------

### CHAMBER MATERIALS

1	CARBON STEEL	2	SPECIAL INOX	3	AISI 316 L	5	ACCIAIO + EBANITE
---	--------------	---	--------------	---	------------	---	-------------------

### FLOAT MATERIALS

1Z	AISI 316 L	2Z	AISI 316 Ti	3Z	MONEL	4Z	HASTELLOY
----	------------	----	-------------	----	-------	----	-----------

### WORKING PARAMETERS

P	Pressure < 200 bar	Instruments exposed to pressure danger comply with PED Directive 97/23/EC	T	Temperature - 60 + 600 °C	S	Fluid specific gravity > 0,6 kg/litre
---	-----------------------	---	---	------------------------------	---	--