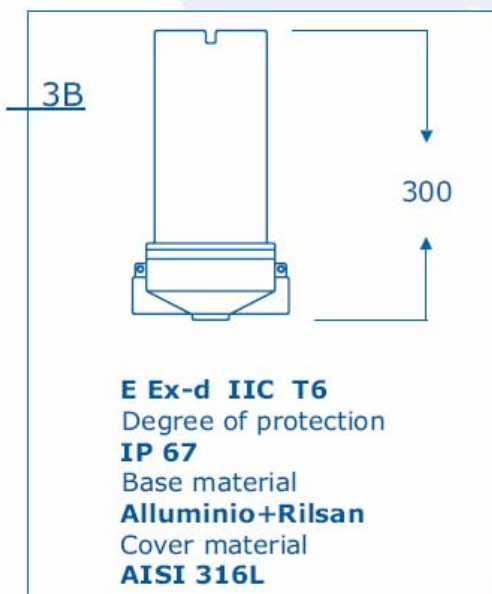
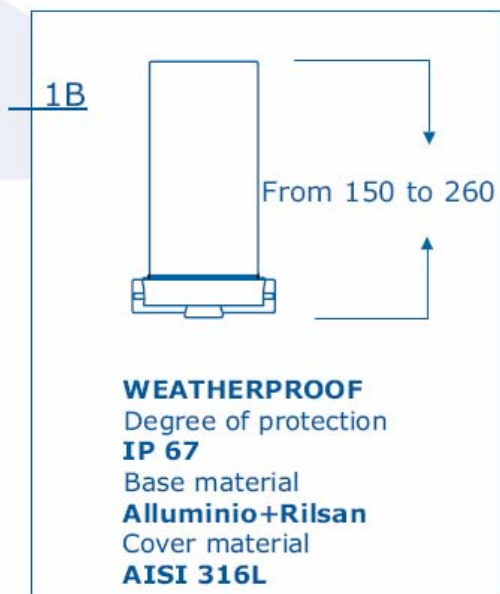
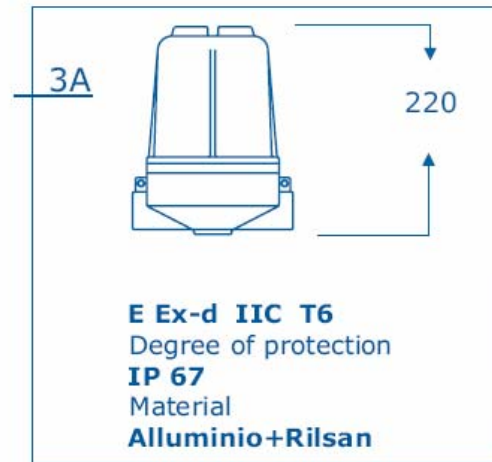


Type **SPIN**

Housings

Followings versions available:



Explosion proof housings are **ATEX** certified according to 94/9/EC Directive

ELECTRIC CONNECTION:

Up to two cable entries. Other connections type available upon request.

<u>4</u>	G 3/4 F	<u>5</u>	Gk 3/4 F	<u>6</u>	3/4 NPT F	<u>C</u>	M 20x1,5
----------	----------------	----------	-----------------	----------	------------------	----------	-----------------