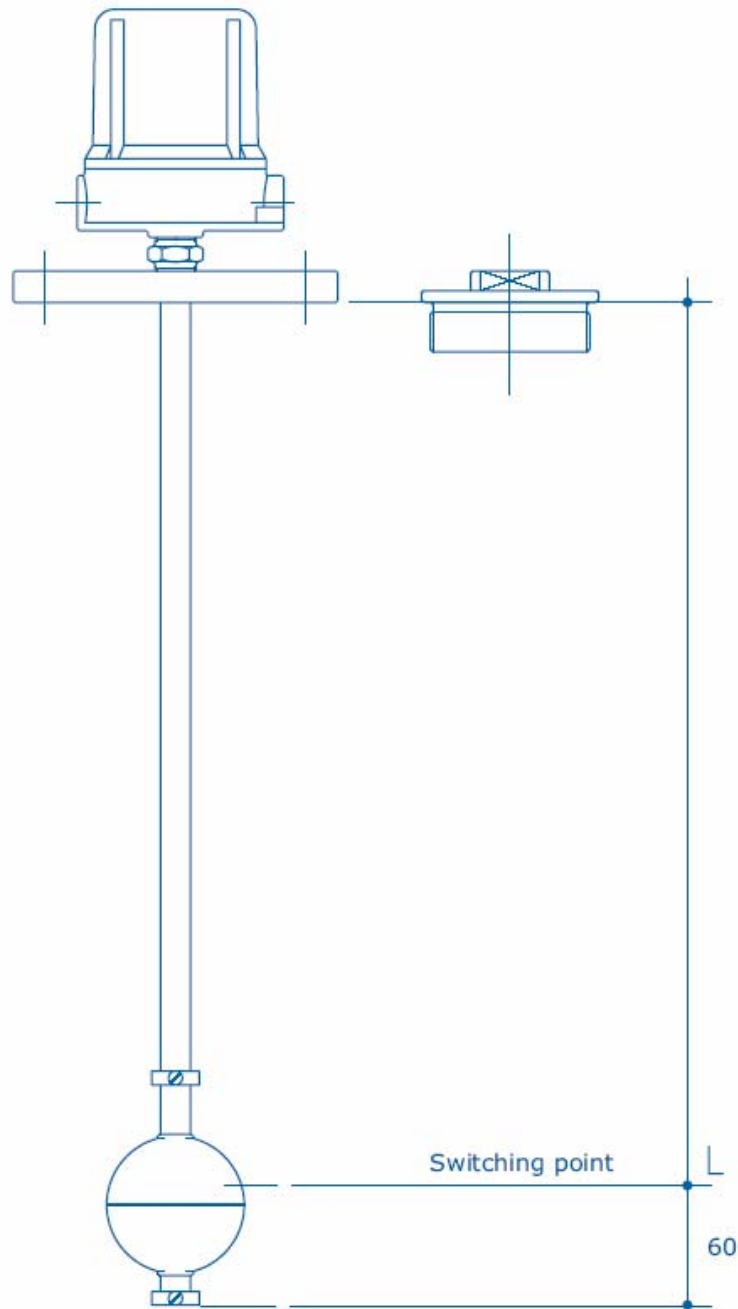
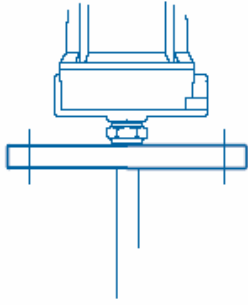


Magnetic level switch  
Vertical mount  
Wetted parts entirely AISI  
Flange or thread connection  
Up to six switching points



## FLANGE CONNECTION

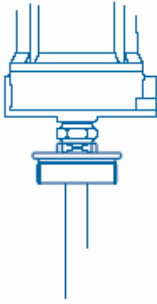


U	UNI				
125	51	50	49	52	53
100	43	44	45	46	47
80	37	38	39	40	41
65	31	32	33	34	35
50	25	26	27	28	29
DN PN	6	10	16	40	64

A	ANSI		
5	37	38	39
4	25	26	27
3	21	22	23
2½	17	18	19
2	29	30	31
DN PN	150	300	600

Other sizes upon request

## THREAD CONNECTION



F	Gas - M
1	07
1½	08
2	23
2½	29
3	26
4	30

F	Gas k-M
1	03
1½	04
2	22
2½	31
3	32
4	33

F	NPT-M
1	17
1½	18
2	29
2½	34
3	35
4	36

Other sizes upon request

## FLANGE AND THREAD MATERIAL

<u>1</u> CARBON STEEL	<u>4</u> AISI 304	<u>3</u> AISI 316 L
-----------------------	-------------------	---------------------

## FLOAT SIZES

<u>B</u> Ø 44	<u>E</u> Ø 55	<u>J</u> Ø 72	<u>M</u> Ø 80	<u>N</u> Ø 90	<u>O</u> Ø 100
---------------	---------------	---------------	---------------	---------------	----------------

Other diameters upon request, depending on applicable design pressure and fluid specific gravity

## FLOAT MATERIAL

<u>9</u> AISI 304	<u>1</u> AISI 316 L	<u>3</u> MONEL	<u>4</u> HASTELLOY
-------------------	---------------------	----------------	--------------------

## WORKING PARAMETERS

<u>P</u> Pressure < 100 bar	<u>T</u> Temperature - 110 + 200 °C	<u>S</u> Fluid specific gravity > 0,6 kg/litre
--------------------------------	--	---



## Housings

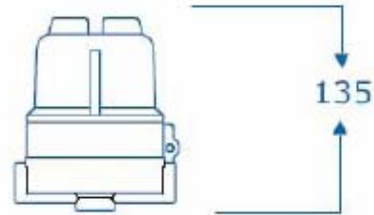
Following versions available:

**1A**



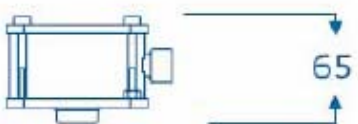
**WEATHERPROOF**  
Degree of protection  
**IP 67**  
Material  
**Aluminium+Rilsan**

**3A**



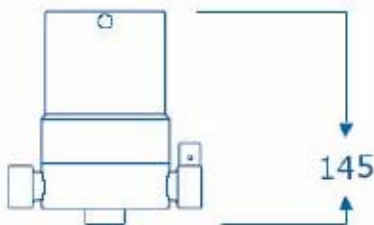
**E Ex-d IIC T6**  
Degree of protection  
**IP 67**  
Material  
**Aluminium+Rilsan**

**1B**



**WEATHERPROOF**  
Degree of protection  
**IP 67**  
Material  
**AISI 316L**

**3B**



**E Ex-d IIC T6**  
Degree of protection  
**IP 67**  
Material  
**AISI 316L**

**IP 68** housings are available upon request.

Explosion proof housings are **ATEX** certified according to 94/9/EC Directive

### ELECTRIC CONNECTION:

Up to two cable entries. Other connections type available upon request.

<b>1</b>	<b>G 1/2 F</b>	<b>2</b>	<b>Gk 1/2 F</b>	<b>3</b>	<b>1/2 NPT F</b>	<b>C</b>	<b>M 20x1,5</b>
----------	----------------	----------	-----------------	----------	------------------	----------	-----------------